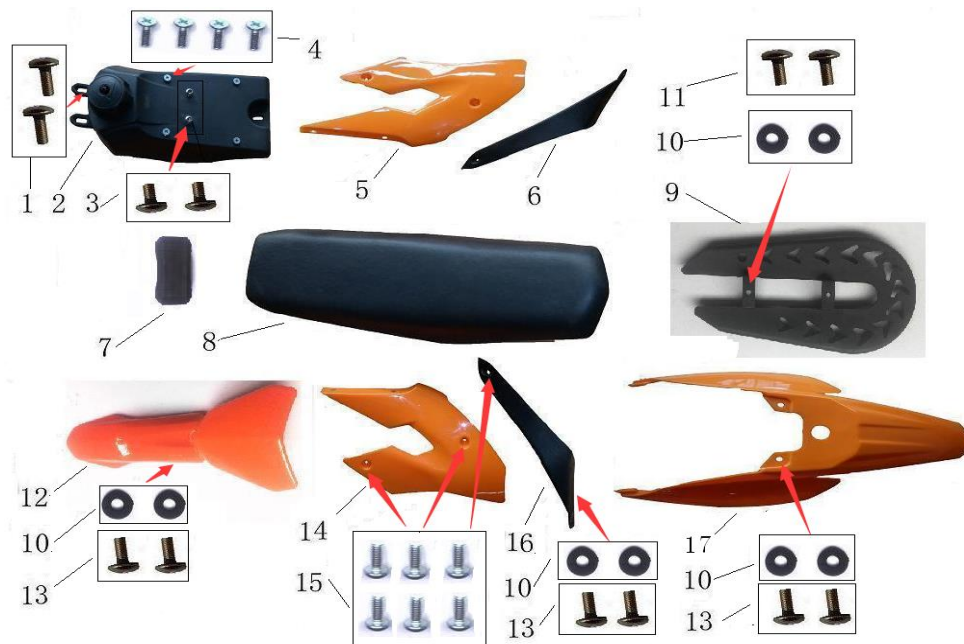


KXD706B

1. Plastic cover 塑料件

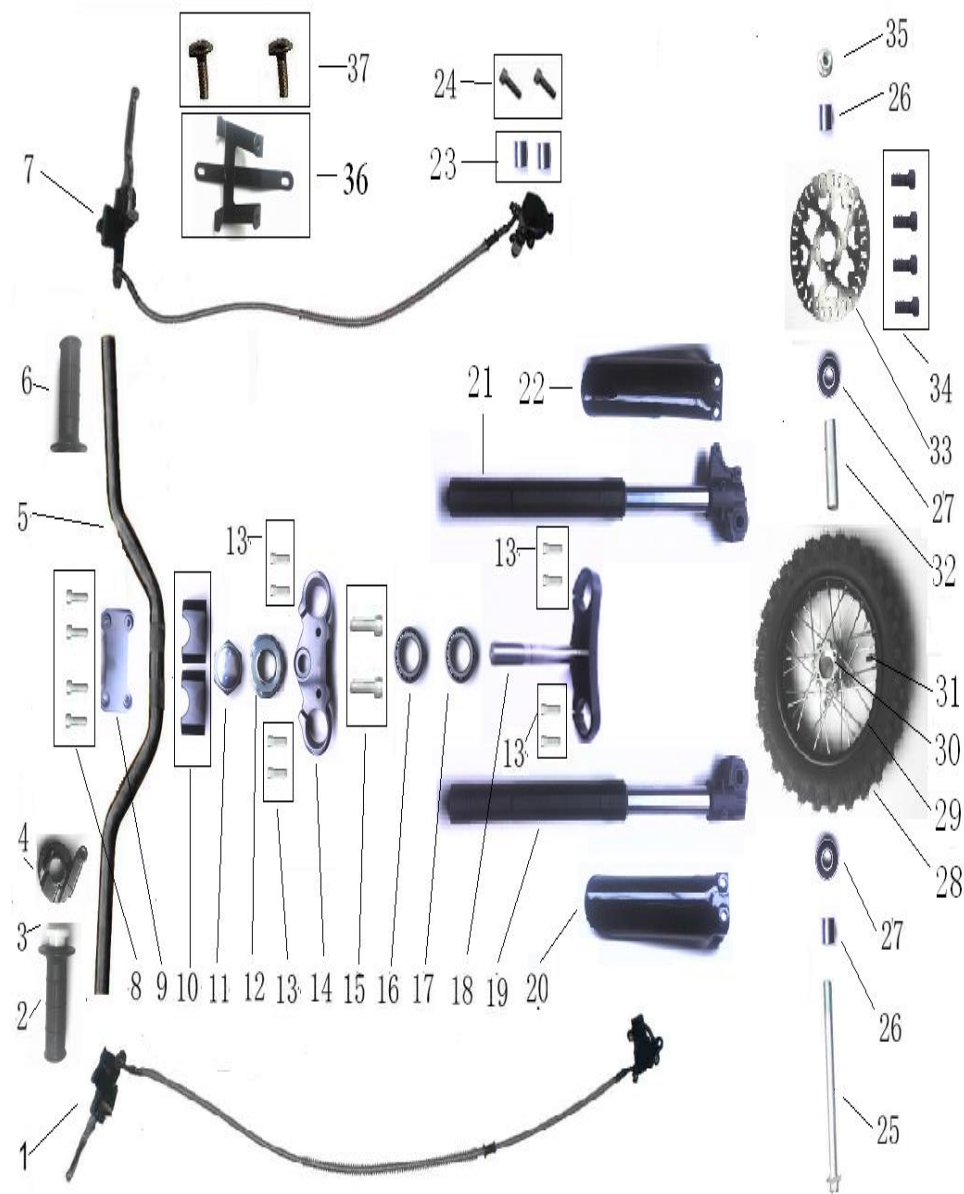
Ref. No.	Parts No.	Discription	名称及规格	QTY
1		big flat head bolts M6X20	大扁头螺栓 M6X20	2
2	201094001	fuel tank	油箱	1
3		big flat head bolts M6X10	大扁头螺栓 M6X10	2
4		countersunk head bolt M6X8	十字沉头螺栓 M6X8	4
5	201096001	front cover, right	前右护板	1
6	201098001	rear cove, right	后右护板	1
7	201044001	chest protector	护胸	1
8	202220009	seat	座垫	1
9	201103001	chain cover	链罩	1
10		rubber plain washer	橡胶平垫	8
11		big flat head bolts M6X10	大扁头螺栓 M6X10	8
12	201033001	front fender	前挡泥板	1
13		big flat head bolts M6X16	大扁头螺栓 M6X16	8
14	201095001	front cover, left	前左护板	1
15		small flat head bolts M6X16	小扁头螺栓 M6X16	6
16	201097001	rear cove, left	后左护板	1
17	201099001	rear molding	后尾	1
	202160034	sticker	贴花	1



2. Front wheel 前轮

Ref. No.	Parts No.	Discription	名称及规格	QTY
1	202040033	rear hydraulic brake	后液刹总成	1
	202201121	rear brake bump	后液刹泵体	1
2	202070028	right handle grip	右转把	1
3	202070024	core	大耳朵把芯	1
4	202200007	gas holder	油门座	1
5	203010069	handle bar	手把	1

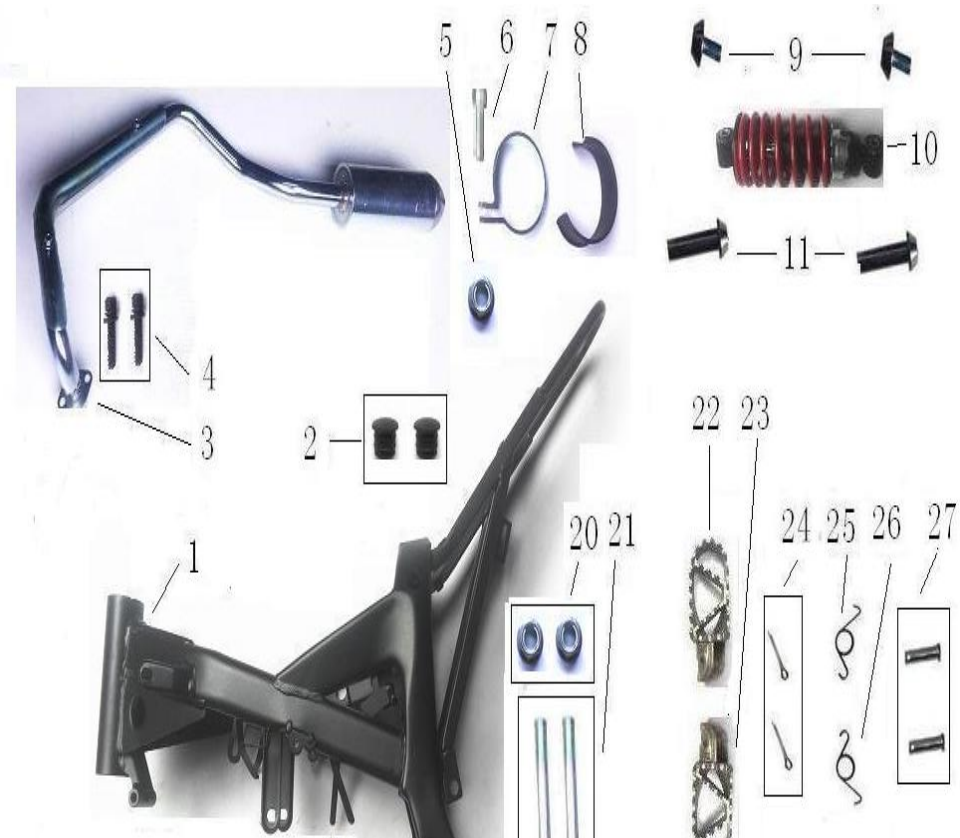
6	202070027	left handle grip	左把套	1
7	202040030	front hydraulic brake	前液刹	1
8		Cylinder head hex socket bolts M8X25	圆柱头内六角螺栓 M8X25	4
9	202110027	bracket,top riser	上卡座	1
10	202110028	bracket,bottom riser	下卡座	2
11	202200018	Tap cap	龙头帽	1
12	202200016	Convex Joe nut	凸托螺帽	1
13		Cylinder head hex socket bolts M6X25	圆柱头内六角螺栓 M6X25	8
14	202110016	Top allied board	上联板	1
15		Cylinder head hex socket bolts M10X35	圆柱头内六角螺栓 M10X35	2
16	202120013	Taper bearing 41X22.5X11	锥度轴承 41X22.5X11	2
17	202120014	Taper bearing 41X24X11	锥度轴承 41X24X11	2
18	202110017	Bottom allied board with shaft	下联板带轴	1
19	202010010	front shock absorber (right)	前减震 (右)	2
20	201102001	Right shock absorption shield	右减震护罩	1
21	202010009	front shock absorber (left)	前减震 (左)	1
22	201101001	left shock absorption shield	左减震护罩	1
23		front hydraulic brake spacer $\Phi 8.2 * \Phi 10 * 10 \text{mm}$	前液刹隔套 $\Phi 8.2 * \Phi 10 * 10 \text{mm}$	4
24		Cylinder head hex socket bolts M6X35	圆柱头内六角螺栓 M6X35	2
25		front axle M15X215	前轮轴 M15X215	1
26	203010170	front wheel spacer bush $\Phi 15 * \Phi 20 * 17 \text{mm}$	前轮隔套 $\Phi 15 * \Phi 20 * 17 \text{mm}$	2
27	202120008	front wheel bearing	前轮轴承	2
28	202140041	front tyre	前轮外胎	1
29	202140206	Front wheel hub	前轮毂含鼓芯	1
30	202140203	front wheel drum core	前轮鼓芯	1



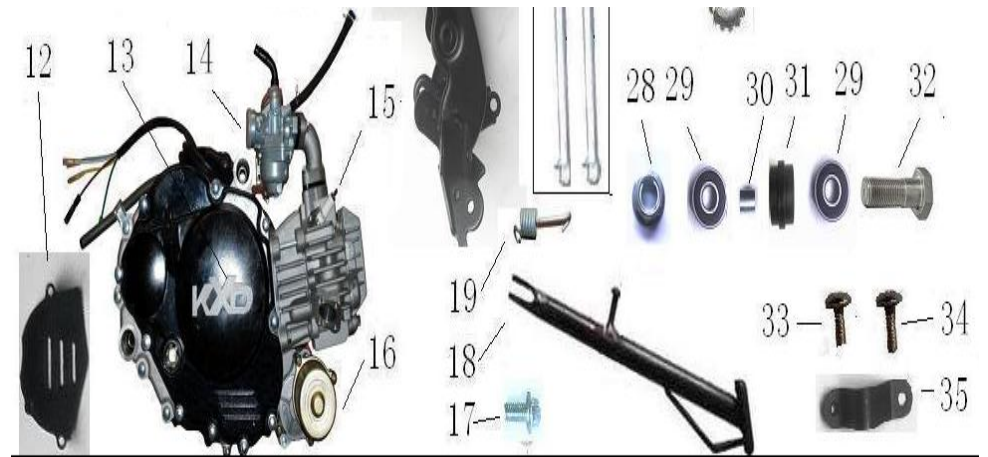
31	202140042	Inner tube	内胎	1
32	203010168	front wheel shaft sleeveΦ15*Φ 20*54mm	前轮轴轴套Φ 15*Φ 20*54mm	1
33	202090028	brake disc	碟刹盘	1
34		Cylinder head hex socket bolts M6X16	圆柱头内六角螺栓 M6X16	4
35		Self-locking nut M15	自锁螺母 M15	1
36	201030037	Fender bracket	面板支架	1
37		big flat head bolts M6X8	大扁头螺栓 M6X8	2

3.Frame 车架

Ref. No.	Parts No.	Description	名称及规格	QTY
1	203010162	frame	车架	1
2	202150008	Rubber plug	橡胶堵头	1
3	202130017	muffler	排气管	1
4		Composite bolt M6X20	组合螺栓 M6X20	2
5		Self-locking nut M6	自锁螺母 M6	1
6		Cylinder head hex socket bolts M6X20	圆柱头内六角螺栓 M6X20	1
7	202130051	Duct clamp	抱箍	1
8	202130052	Rubber ring	橡胶圈	1
9		bolt	螺栓	2
10	202010026	Shock 190mm	减震 190mm	1
11		screw	螺杆	2
12	201104001	Engine chain cover	发动机链条盖	1
13	205060001	Engine	发动机	1
14	403000120	carburetor	化油器	1
15	404000028	spark plug	A7TC火花塞	1
16	403000055	starting dynamo	启动电机	1
17		Flange bolts M8X16	法兰螺栓 M8X16	1
18	201030067	Foot support bar	脚支撑	1

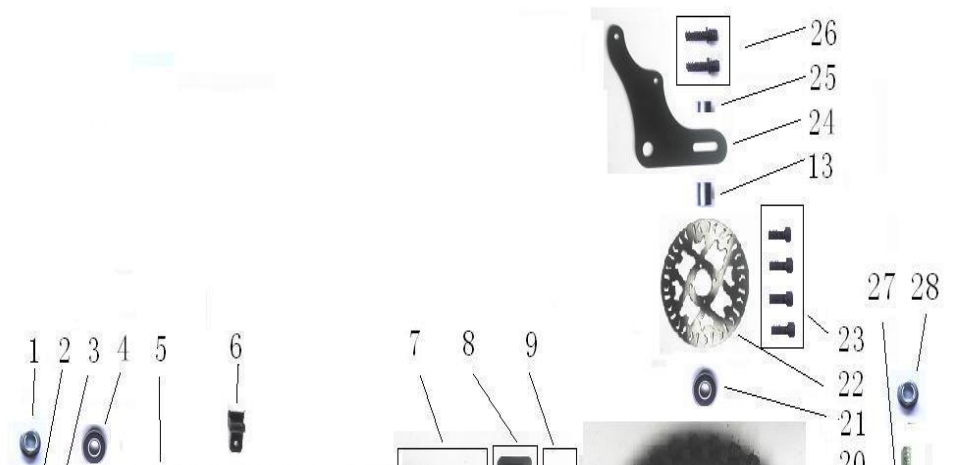


19	202150018	spring	拉簧	1
20		Self-locking nut M8	自锁螺母 M8	2
21		Engine mounting shaft M8X95	发动机吊装轴 M8X95	2
22	202150034	right pedal	右脚踏	1
23	202150033	left pedal	左脚踏	1
24	201151001	cotter pin	开口销	2
25	202150035	right Pedal spring	右脚踏弹簧	2
26	202150035	left Pedal spring	左脚踏弹簧	2
27	204066001	pin	销柱	2
28		Self-locking nut M8	自锁螺母 M8	1
29	202120011	bearing	轴承	2
30		spacer bush $\Phi 11*\Phi 14*8\text{mm}$	隔套 $\Phi 11*\Phi 14*8\text{mm}$	1
31	201036001	guide pulley	导向轮	1
32		steps bolt M8X38	台阶螺栓 M8X38	1
33		big flat head bolts M6X16	大扁头螺栓 M6X16	1
34		big flat head bolts M6X20	大扁头螺栓 M6X20	1
35	203010146	Tank connection piece	油壶连接片	1

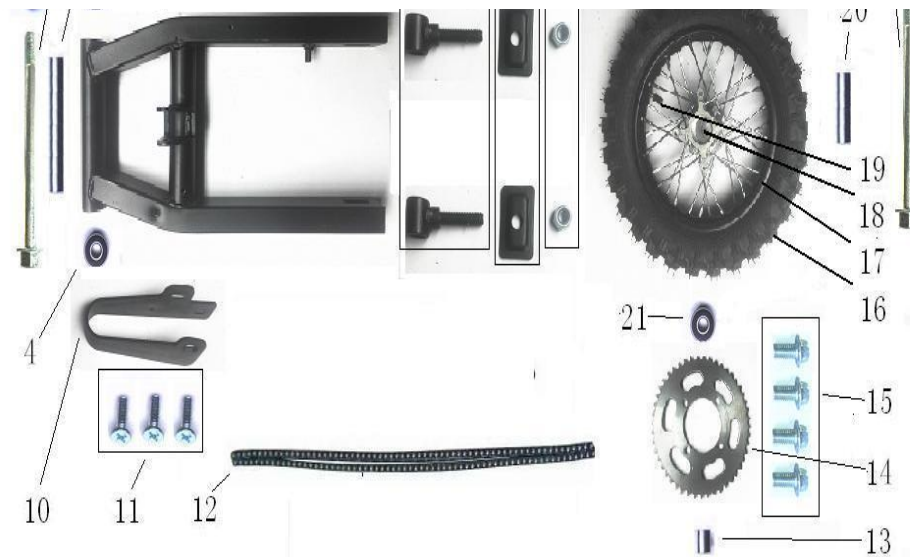


4. Rear whee 后轮

Ref. No.	Parts No.	Discription	名称及规格	QTY
1		nut M10	后叉吊装螺母 M10	1
2		bolt M10X190	后叉吊装轴 M10X190	1
3	203010161	axle $\Phi 11*\Phi 14*140.5\text{mm}$	后叉轴套 $\Phi 11*\Phi 14*140.5\text{m}$	1
4	202120001	bearing	后叉轴承	2
5	203010164	swing arm	后叉	1
6	202200094	cable clips	线卡	1
7	203010156	chain adjuster	后千斤	2
8	203010158	Chain adjustment piece	千斤片	2
9		locknut M6	防松螺母 M6	2
10	201100001	Chain guide	链条导板	1
11		countersunk head bolt M6X16	十字沉头螺栓 M6X16	3



12	202100027	chain	链条	1
13	203010172	rear wheel spacer $\Phi 12.2 \times \Phi 18 \times 19\text{mm}$	后轮隔套 $\Phi 12.2 \times \Phi 18 \times 19\text{mm}$	2
14	202090017	big sprocket	大链轮	1
15		Flange bolts M8X20	法兰螺栓 M8X20	4
16	202140041	rear tyre	后轮外胎	1
17	202140208	rear-wheel hub	后轮毂含鼓芯	1
18	202140205	rear wheel drum core	后轮鼓芯	1
19	202140040	Inner tube	内胎	1
20	203010169	18*72.5mm	轮轴套 $\Phi 12.2 \times \Phi 18 \times 72.5\text{mm}$	1
21	202120010	rear wheel bearing	后轮轴承	2
22	202090028	brake disc	碟刹盘	1
23		Cylinder head hex socket bolts M6X16	圆柱头内六角螺栓 M6X16	4
24	203010166	Disc brake fixed piece	碟刹固定片	1
25	203010174	rear wheel spacer bush $\Phi 12.4 \times \Phi 18 \times 4\text{mm}$	后轮隔套 $\Phi 12.4 \times \Phi 18 \times 4\text{mm}$	1
26		Composite bolt M6X20	组合螺栓 M6X20	2
27		rear bolt M12X205	后轴 M12X205	1
28		Self-locking nut M12	自锁螺母 M12	1



5.Products 配件

Ref. No.	Parts No.	Discription	名称及规格	QTY
1	403000038	air filter	空滤器	1
2	202080013	throttle cable	油门线	1
3	202030013	relay	继电器	1
4	202030015	ignition coil	高压包	1
5	202060018	ignition key	电门锁	1
6	202030012	rectifier	整流器	1
7	202180005	battery	电池	1



8	202030014	ignition	点火器	1
9	202060003	Flameout switch	熄火开关	1
10	202050005	cable	总线	1
11	202060004	ignition switch	启动开关	1
12	202050029	charging hole	充电口	1
13	202210007	small oil pipe	小油管	2
14	202150003	Oil switch	油开关	1
15	202150002	filter	过滤器	1
16	202210008	big oil pipe	大油管	1
17	202200058	small circlip	小卡簧	5
18	202200057	big circlip	大卡簧	1

