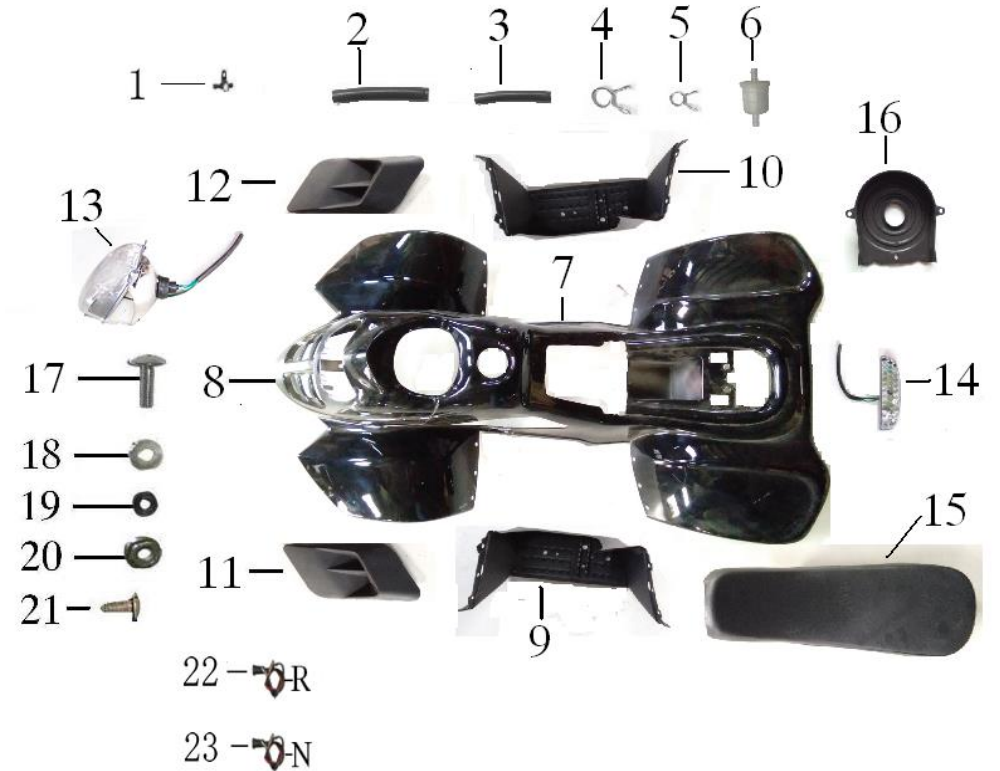


PAH110-2R

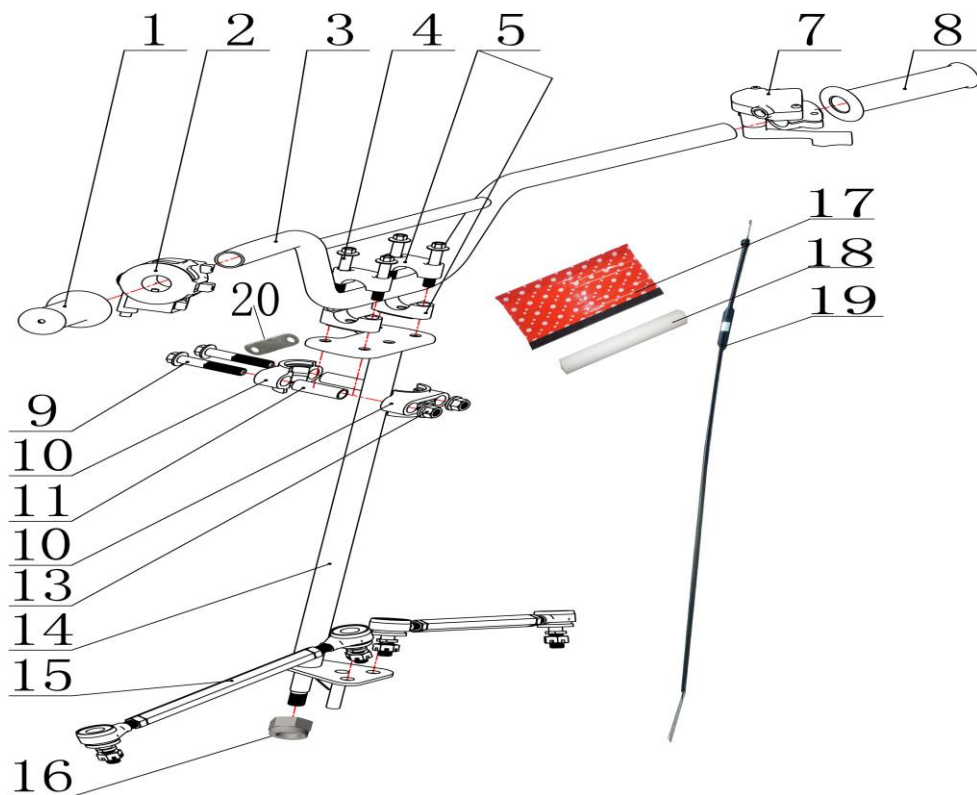
1. Plastic cover

| Ref. N | Parts No. | Discription | 名称及规格 | Q'TY | |
|--------|-----------|-----------------------------|-------------------|------|-----|
| 1 | 202150003 | OIL SWITCH | 油开关 | 1 | pcs |
| 2 | 202210016 | BIG FUEL PIPE | 油管7×11 | 1 | pcs |
| 3 | 202210009 | SMALL FUEL PIPE | EPA油管4.5*8.5 | 1 | pcs |
| 4 | 202200057 | BIG SPRINGINESS LATHE DOG | 大油管卡簧 | 1 | pcs |
| 5 | 202200058 | SMALL SPRINGINESS LATHE DOG | 小油管卡簧(M8) | 5 | set |
| 6 | 202150002 | GAS FILTER | 油滤器 | 1 | pcs |
| 7 | 201215001 | MAIN PLASTIC BODY | ATV-001车体8-1 | 1 | pcs |
| 8 | 201214001 | Lampshade | ATV-001灯罩(小恐龙)8-2 | 1 | pcs |
| 9 | 201216001 | L.FOOTREST | ATV-001左脚踏板8-3 | 1 | pcs |
| 10 | 201217001 | R.FOOTREST | ATV-001右脚踏板8-4 | 1 | pcs |
| 11 | 201218001 | L.Decorative board | ATV-001左装饰块8-5 | 1 | pcs |
| 12 | 201219001 | R.Decorative board | ATV-001右装饰块8-6 | 1 | pcs |
| 13 | 202200245 | Headlamp | ATV-001 LED前大灯8-7 | 1 | pcs |
| 14 | 202200247 | Rear lamp | ATV-001 LED后尾灯8-8 | 1 | pcs |
| 15 | 202220017 | SEAT ASSY | ATV-001(小恐龙)坐垫 | 1 | pcs |
| 16 | 201207001 | CHAIN COVER | 沙滩车通用链罩 | 1 | pcs |
| 17 | | Mushroom head bolts | 大扁头螺钉M6×20 | 16 | set |
| 18 | | Large washer | 大垫圈φ6.6×φ18 | 22 | set |
| 19 | 202150006 | RUBBER PAD | 单层胶垫 | 20 | set |
| 20 | | HEX FLANGE NUT | 六角法兰面螺母M6 | 18 | set |
| 21 | | TAPPING SCREW | 自攻螺钉ST4.2x13 | 6 | set |
| 22 | 202200088 | gear light R | 档显灯R | 1 | pcs |
| 23 | 202200089 | gear light N | 档显灯N | 1 | pcs |



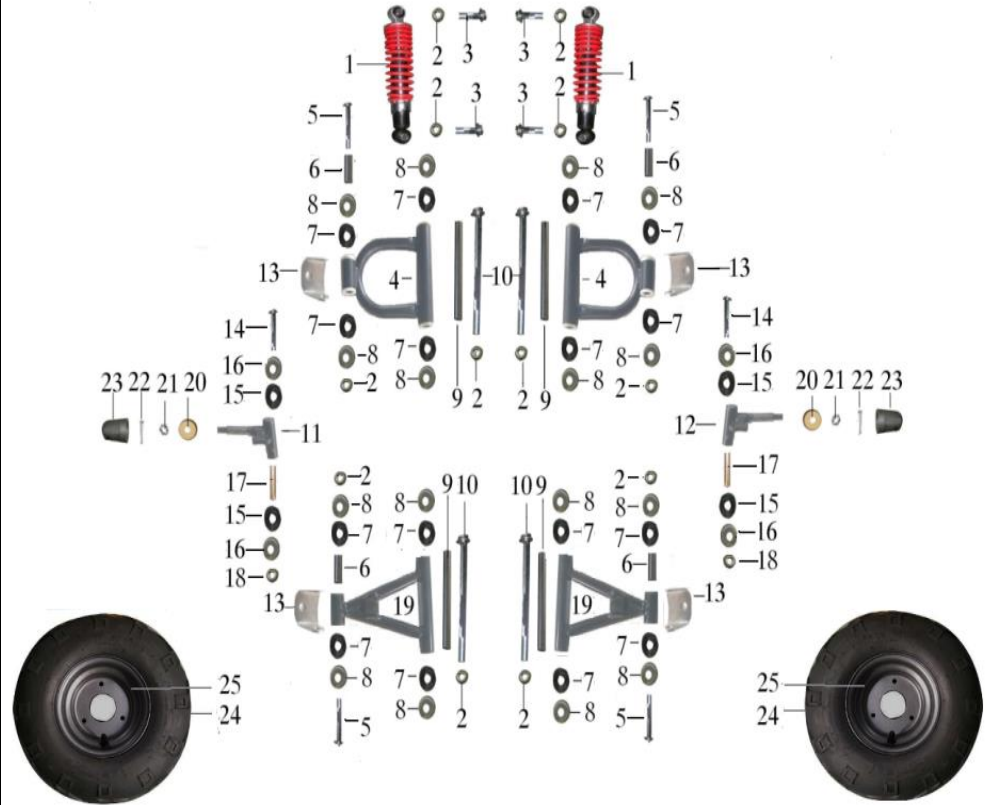
2. Steering system

| Ref. No | Parts No. | Discription | 名称及规格 | Q'TY | |
|---------|-----------|-----------------------|-------------------------|------|-----|
| 1 | 202070057 | HANDLE BAR | 套色手把套(美国状态) | 1 | pcs |
| 2 | 202060008 | FUNCTION SWITCH | 三功能开关 | 1 | pcs |
| 3 | 203010443 | STEERING BAR | 沙滩车手把管注塑 (800mm) | 1 | pcs |
| 4 | | Hexagon flange bolts | 六角法兰面螺栓M8X55 | 4 | set |
| 5 | 202110047 | UPPER CLIP | 50手把夹块1套 | 1 | pcs |
| / | / | / | / | / | |
| 7 | 202070014 | THROTTLE | 沙滩车双刹加油器 | 1 | pcs |
| 8 | 202070057 | HANDLE BAR | 套色手把套(美国状态) | 1 | pcs |
| 9 | | Hexagon flange bolts | 六角法兰面螺栓M10×60 | 2 | set |
| 10 | 201337001 | STEERING CLIP (UPPER) | 大公牛方向柱夹块 (1套) | 1 | pcs |
| 11 | 203011040 | GASKET Φ11×Φ14×40mm | 方向柱隔套 Φ14×1.5×40mm | 2 | set |
| 12 | / | / | / | / | |
| 13 | | NUT | 防松螺母M10 | 2 | set |
| 14 | 203010437 | STEERING POST | ATV-001方向柱注塑 (410mm) | 1 | pcs |
| 15 | 202120021 | HANDLE BAR | 120横直拉杆1副 | 1 | pcs |
| 16 | | NUT | 防松螺母M12 | 1 | pcs |
| 17 | 202160014 | PROTECTION MASK | 圆柱包布中 中性 | 1 | pcs |
| 18 | 202170002 | | 海绵管18*50 | 1 | pcs |
| 19 | 202080022 | THROTTLE CABLE | EPA油门线720mm×85mm | 1 | pcs |
| 20 | | gasket | 方向柱夹块垫片 | 1 | pcs |



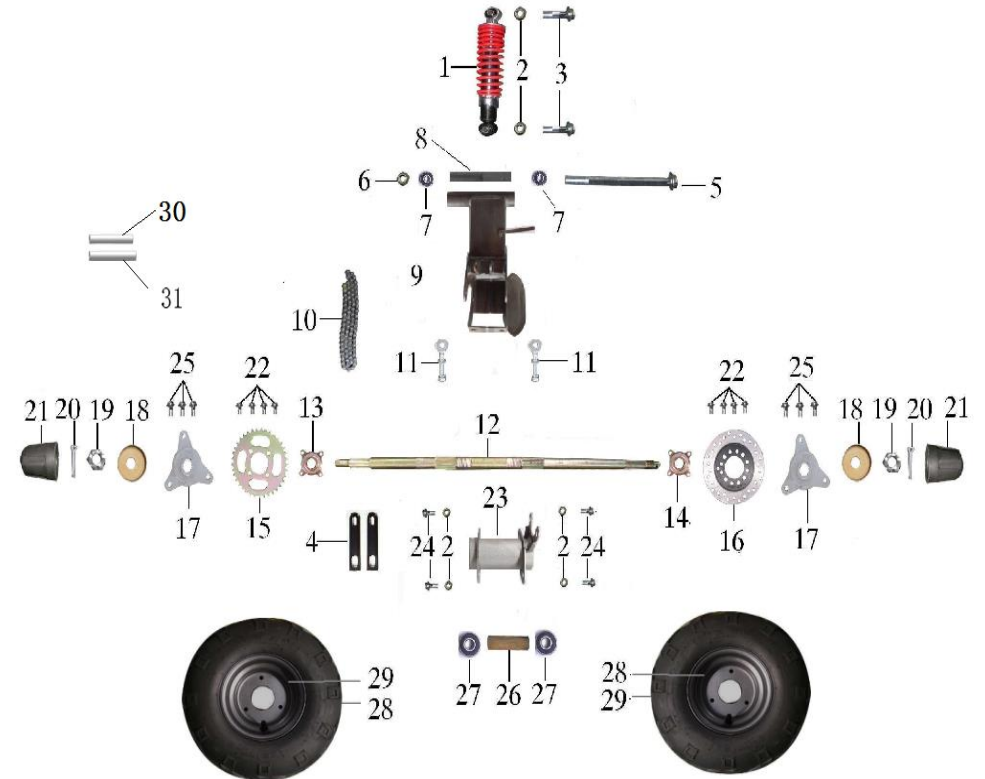
3. Front suspension system

| Ref. No | Parts No. | Discription | 名称及规格 | Q'TY | |
|---------|-----------|------------------------|--------------------------------|------|-----|
| 1 | 202010030 | FRONT SHOCK | 小恐龙前减6mmx270mm | 2 | pcs |
| 2 | | HEX FLANGE LOCKING NUT | 自锁螺母M10 | 12 | set |
| 3 | | Hexagon flange bolts | 六角法兰面螺栓M10x40 | 4 | set |
| 4 | 203010433 | UPPER SWING ARM | ATV-001上摇臂喷塑 | 2 | pcs |
| 5 | | Hexagon flange bolts | 六角法兰面螺栓M10x70 | 4 | set |
| 6 | 203010453 | short GASKET | 摇臂短隔套 (14*10.2*48) | 4 | set |
| 7 | 201210001 | small WASHER | 摇臂尼龙套小 | 8 | set |
| 8 | 202150029 | small COVER | 沙滩车防尘盖小 | 16 | set |
| 9 | 203010452 | long GASKET | atv-001/002摇臂长隔套 (14*10.2*152) | 4 | set |
| 10 | | Hexagon flange bolts | 六角法兰面螺栓M10x170 | 4 | set |
| 11 | 203010445 | LEFT ELEVATION AXIS | 沙滩车转向节左喷塑 | 1 | pcs |
| 12 | 203010447 | RIGHT ELEVATION AXIS | 沙滩车转向节右喷塑 | 1 | pcs |
| 13 | 203010449 | CHIP | 沙滩车仰角吊耳电镀 | 4 | set |
| 14 | | Hexagon flange bolts | 六角法兰面螺栓M12x105 | 2 | set |
| 15 | 201209001 | large WASHER | 仰角尼龙套大 | 4 | set |
| 16 | 202150028 | medium COVER | 沙滩车防尘盖中 | 4 | set |
| 17 | 203010451 | GASKET | 沙滩车转向节隔套 (16*12.2-80) | 2 | set |
| 18 | | HEX FLANGE LOCKING NUT | 自锁螺母M12 | 2 | set |
| 19 | 203010435 | LOWER SWING ARM | ATV-001下摇臂喷塑 | 2 | pcs |
| 20 | 202150027 | Big COVER | 沙滩车防尘盖大 | 2 | set |
| 21 | | Slotted nut | 开槽螺母M14x1.5 | 2 | set |
| 22 | | Cotter pin | 开口销φ3x30 | 2 | set |
| 23 | 202150026 | Dust cap | 沙滩车橡胶防尘帽 | 2 | set |
| 24 | 202140173 | FRONT TIRE | 145/70-6火焰花轮胎(145/70-6) | 2 | pcs |
| 25 | 202140174 | FRONT HUB | 145/70-6黑色轮毂(145/70-6) | 2 | pcs |



4. Rear suspension system

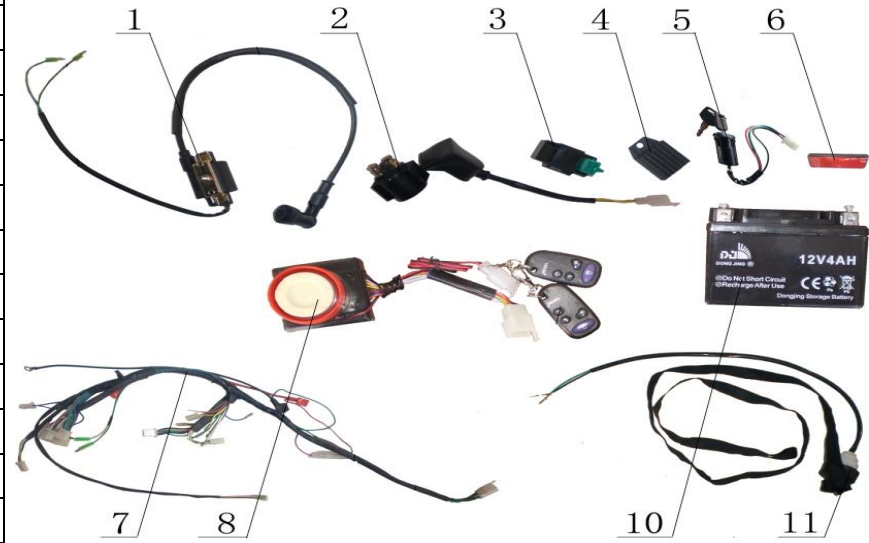
| Ref. N | Parts No. | Discription | 名称及规格 | Q'TY | |
|--------|-----------|------------------------|------------------------------|------|-----|
| 1 | 202010036 | REAR SHOCK | 小恐龙后减7mmx250mm后减 | 1 | pcs |
| 2 | | HEX FLANGE LOCKING NUT | 自锁螺母M10 | 6 | set |
| 3 | | Hexagon flange bolts | 六角法兰面螺栓M10x45 | 2 | set |
| 4 | 203010439 | CHAIN COVER | 沙滩车链罩支架 | 2 | set |
| 5 | | Hexagon flange bolts | 六角法兰螺栓M12x190 | 1 | pcs |
| 6 | | Hexagon flange bolts | 自锁螺母M12 | 1 | pcs |
| 7 | 202120049 | BEARING | 6001轴承新 | 2 | set |
| 8 | 203010454 | GASKET | ATV-001后叉隔套 (16*18*145.5) | 1 | pcs |
| 9 | 203010429 | REAR Swing arm | ATV-001后叉喷塑 | 1 | pcs |
| 10 | 202100032 | chian | 链条428-76节 | 1 | pcs |
| 11 | 202200011 | Chain regulator | 大越野千斤 | 2 | set |
| 12 | 202190011 | REAR AXLE | ATV-001后轴 | 1 | pcs |
| 13 | 202190018 | SPROCKET SEAT | 6寸链轮座 | 1 | pcs |
| 14 | 202190018 | BRAKE SEAT | 6寸碟刹座 | 1 | pcs |
| 15 | 202090018 | CHAIN WHEEL | 链轮428-37齿(48内孔) (德国沙滩车) | 1 | pcs |
| 16 | 202090027 | REAR DISC BRAKE | 沙滩车圆盘小精灵160mm | 1 | pcs |
| 17 | 202190019 | HUB SEAT | 6寸轮毂座 | 2 | pcs |
| 18 | 202150027 | Big COVER | 沙滩车防尘盖大 | 2 | set |
| 19 | | Slotted nut | 开槽螺母M16x1.5 | 2 | set |
| 20 | | Cotter pin | 开口销φ3x30 | 2 | set |
| 21 | 202150026 | Dust cap | 沙滩车橡胶防尘帽 | 2 | set |
| 22 | | Hexagon flange bolts | 六角法兰面螺栓M8x16 | 8 | set |
| 23 | 203010431 | CONNECTOR | ATV-001/002通用后桥筒喷塑 | 1 | pcs |
| 24 | | Hexagon flange bolts | 六角法兰面螺栓M10x25 | 4 | set |
| 25 | | Hexagon flange bolts | 六角法兰面螺栓M8x20 | 6 | set |



| | | | | | |
|----|-----------|-------------------|--------------------------------|---|-----|
| 26 | 203010455 | GASKET | ATV-001/002后桥筒隔套 (30*27*87) | 1 | pcs |
| 27 | 202120009 | BEARING | 6205轴承带封 | 2 | set |
| 28 | 202140174 | FRONT HUB | 145/70-6黑色轮毂(145/70-6) | 2 | pcs |
| 29 | 202140173 | REAR TIRE | 145/70-6火焰花轮胎(145/70-6) | 2 | pcs |
| 30 | 203011038 | rear alex case I | 后轴边隔套(22x25x130mm) | 1 | pcs |
| 31 | 203011039 | rear alex case II | 后轴边隔套(22x25x140mm) | 1 | pcs |

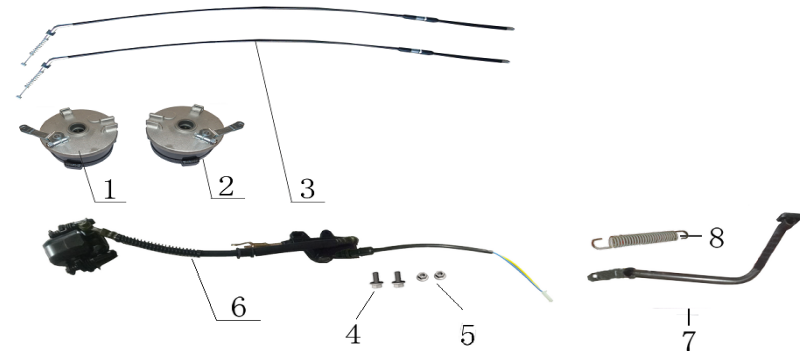
5. Electrical parts

| Ref. N | Parts No. | Discription | 名称及规格 | Q'TY | |
|--------|-----------|--------------------|----------------------|------|-----|
| 1 | 202030078 | RELAY | EPA高压包编号K125-10线长3 | 1 | pcs |
| 2 | 202030017 | RELAY | 110继电器 | 1 | pcs |
| 3 | 202030079 | C.D.I | EPA点火器编号K125-02 (ATV | 1 | pcs |
| 4 | 202030080 | RECTIFIER | 110半波不带线稳压器 | 1 | pcs |
| 5 | 202060017 | ELECTRIC LOCK | 四冲普通电门锁 | 1 | pcs |
| 6 | 201137001 | REPLAY TRANSMITTER | 反光片 | 1 | pcs |
| 7 | 202050018 | cable | ATV-001 (小恐龙) 1+1总线 | 1 | pcs |
| 8 | 202030028 | ALARM | 单功能报警器 | 1 | pcs |
| 10 | 202180004 | BATTERY | 12V4A加液电池 | 1 | pcs |
| 11 | 202060026 | FLAME OUT SWITCH | EPA布带开关 | 1 | pcs |



6. Hydraulic brake system

| Ref. N | Parts No. | Discription | 名称及规格 | Q'TY | |
|--------|-----------|------------------|-------------------------------|------|-----|
| 1 | 202040005 | left DRUM BRAKE | 50左鼓刹器 | 1 | pcs |
| 2 | 202040046 | right DRUM BRAKE | 50右鼓刹器 | 1 | pcs |
| 3 | 202040017 | BRAKE CABLE | 刹线850mmx85mm | 2 | pcs |
| 4 | | HANDLE BRAKE | M5X16六角法兰面螺栓 | 2 | set |
| 5 | | REAR BRAKE | M5自锁螺母 | 2 | set |
| 6 | 202040051 | rear brake set | 后液刹带整体刹车开关/油管 400mm顶杆长88mm | 1 | pcs |
| 7 | 203010784 | foot brake fast | EPA小恐龙脚刹杆喷塑 | 1 | pcs |
| 8 | 202150037 | spring | 后刹制动回位簧 (长) | 1 | pcs |



7. Frame system

| Ref. N | Parts No. | Discription | 名称及规格 | Q'TY | |
|--------|-----------|------------------------|-----------------------|------|-----|
| 1 | 203034001 | front protection | ATV-001保护架 | 1 | pcs |
| 2 | | FENDER GUARD | ATV-001车架 | 1 | pcs |
| 3 | 202150009 | rear rack stents,right | 橡胶堵头20 | 2 | set |
| 4 | 202130043 | rear rack stents,left | 手挂挡杆 | 1 | pcs |
| 5 | 203010776 | rear rack | EPA小恐龙后货架喷塑 | 1 | pcs |
| 6 | | 110cc auto engine | 110cc 自动波 | 1 | pcs |
| | 205090103 | 110cc 1+1 engine | 110cc 1+1 (美国) | 1 | pcs |
| 7 | 202130101 | EXHAUST PIPE | EPA ATV-001排气管 | 1 | pcs |
| 8 | | Hexagon flange bolts | 六角法兰面螺栓M10x105 | 1 | pcs |
| 9 | | Hexagon flange bolts | 六角法兰面螺栓M10x110 | 1 | pcs |
| 10 | | HEX FLANGE LOCKING NUT | 自锁螺母M10 | 2 | set |
| 11 | 202200243 | GAS TANK | EPA铁油箱编码K125-03 (ATV) | 1 | pcs |
| 12 | | Hexagon flange bolts | 六角法兰面螺栓M8x16 | 4 | set |
| 13 | | HEX FLANGE LOCKING NUT | 自锁螺母M6 | 2 | set |
| 14 | 202200244 | AIR FILTER | EPA空滤器编码K125-05(ATV) | 1 | pcs |
| 15 | 202000231 | fuel tank cap | EPA油箱盖编码K125-04 | 1 | pcs |
| 16 | 202030081 | carburetor | PZ20化油器(Fα-9) | 1 | pcs |
| 17 | | bolt | 六角法兰面螺栓M8x16 | 4 | set |
| 18 | | nut | 自锁螺母M8 | 7 | set |
| 19 | | bolt | 六角法兰面螺栓M8x20 | 1 | pcs |

