

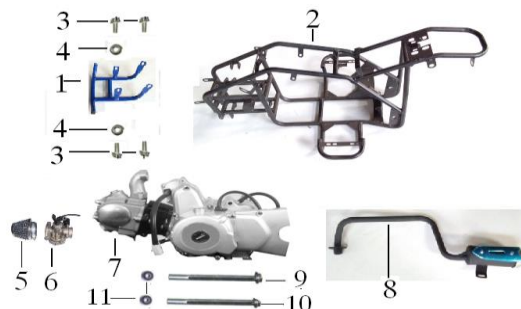
1. Plastic cover 塑料件

Ref. No.	Parts No.	Discription	名称及规格	QTY
1	201213001	GAS TANK	小恐龙油壶	1
2	202210008	BIG FUEL PIPE	大油管	40m
3	202210007	SMALL FUEL PIPE	小油管	100m
4	202200057	BIG SPRINGINESS LATHE DOG	大油管卡簧	1
5	202200058	SMALL SPRINGINESS LATHE DOG	小油管卡簧	1
6	202150002	GAS FILTER	油滤器	1
7	201215001	MAIN PLASTIC BODY	ATV-001车体	1
8	201214001	Lampshade	ATV-001灯罩	1
9	201216001	L.FOOTREST	ATV-001左脚踏板	1
10	201217001	R.FOOTREST	ATV-001右脚踏板	1
11	201218001	L.Decorative board	ATV-001左装饰块	1
12	201219001	R.Decorative board	ATV-001右装饰块	1
13	202200063	Headlamp	ATV-001前大灯	1
14	202200064	Rear lamp	ATV-001后尾灯	1
15	202200017	SEAT ASSY	ATV-001坐垫	1
16	201207001	CHAIN COVER	链罩	1
17		Mushroom head bolts	大扁头螺钉M6X20	16
18		Large washer	大垫圈Φ6.6×Φ18	22
19	202150006	RUBBER PAD	橡胶垫Φ6.5×Φ19×3	16
20		HEX FLANGE NUT	六角法兰面螺母M6	18
21		TAPPING SCREW	自攻螺钉ST4.2x13	6



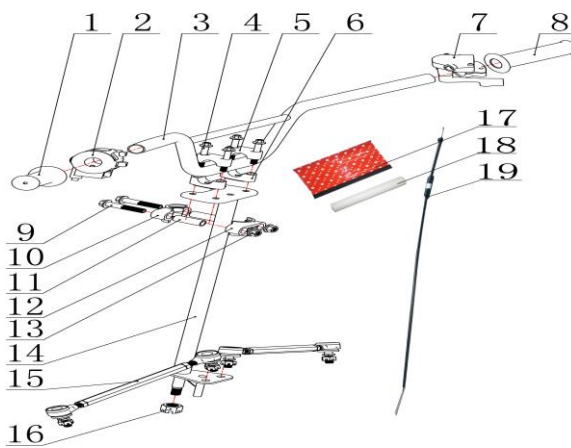
2. Main part Frame system

Ref. No.	Parts No.	Discription	名称及规格	QTY
1	203010441	FENDER GUARD	保护架	1
2	203010427	FRAME	车架	1
3		Hexagon flange bolts	六角法兰面螺栓M8x16	4
4		HEX FLANGE LOCKING NUT	自锁螺母M8	2
5	202200001	AIR FILTER	小蘑菇头空滤器	1
6	404000108	CARBURETOR	化油器	1
7	205110001	ENGINE	发动机	1
8	202130033	EXHAUST PIPE	排气管	1
9		Hexagon flange bolts	六角法兰面螺栓M10x105	1
10		Hexagon flange bolts	六角法兰面螺栓M10x110	1
11		HEX FLANGE LOCKING NUT	自锁螺母M10	2



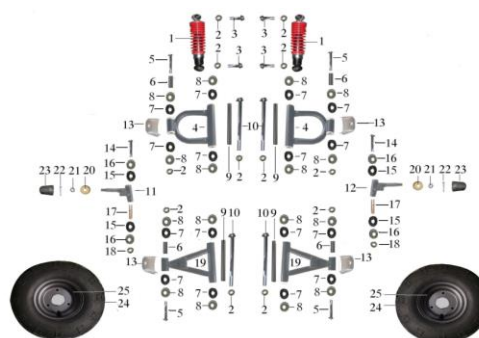
3. Main part steering system

Ref. No.	Parts No.	Discription	名称及规格	QTY
1	202070025	HANDLE BAR	左把套	1
2	202060008	FUNCTION SWITCH	四功能开关	1
3	203010443	STEERING BAR	手把管	1
4		BOLT	方向把固定螺栓M8x55	4
5	202110037	UPPER CLIP	手把上夹块	2
6	202110038	LOWER CLIP	手把下夹块	2
7	202070014	THROTTLE	全铝双刹加油器	1
8	202070026	HANDLE BAR	右把套	1
9		BOLT	方向柱夹块固定螺栓M10x55	2
10	201177001	STEERING CLIP (UPPER)	方向柱塑料夹块	1
11	204102001	GASKET	隔套 Φ11×Φ14×40mm	2
12	201177001	STEERING CLIP (LOWER)	方向柱塑料夹块	1
13		NUT	方向柱夹块固定螺母M10	2
14	203010437	STEERING POST	方向柱	1
15	202120021	HANDLE BAR	钢球拉杆120mm	2
16		NUT	防松螺母M12	1
17	202160014	PROTECTION MASK	护套皮	1
18	202170002		护套	1
19	202080004	THROTTLE CABLE	油门线700mm×75mm	1



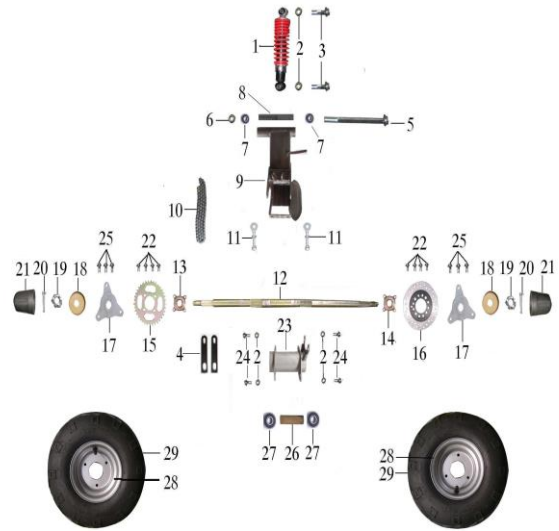
4. Main part front suspension system

Ref. No.	Parts No.	Discription	名称及规格	QTY
1	202010030	FRONT SHOCK	前减震	2
2		HEX FLANGE LOCKING NUT	自锁螺母M10	12
3		Hexagon flange bolts	六角法兰面螺栓M10x40	4
4	203010433	UPPER SWING ARM	上摇臂	2
5		Hexagon flange bolts	六角法兰面螺栓M10x70	4
6	203010453	short GASKET	摇臂短衬管	4
7	201210001	small WASHER	摇臂尼龙套	16
8	202150029	small COVER	小防尘盖 (小)	16
9	203010452	long GASKET	摇臂长衬管	4
10		Hexagon flange bolts	六角法兰面螺栓M10x170	4
11	203010445	LEFT ELEVATION AXIS	左转向节	1
12	203010447	RIGHT ELEVATION AXIS	右转向节	1
13	203010449	CHIP	仰角吊耳	4
14		Hexagon flange bolts	六角法兰面螺栓M12x105	2
15	201209001	large WASHER	仰角尼龙套	4
16	202150028	medium COVER	防尘盖 (中)	4
17	203010451	GASKET	转向节衬管	2
18		HEX FLANGE LOCKING NUT	自锁螺母M12	2
19	203010435	LOWER SWING ARM	下摇臂	2
20	202150027	Big COVER	防尘盖 (大)	2
21	202150026	Slotted nut	开槽螺母M14x1.5	2
22		Cotter pin	开口销Φ3x30	2
23	202150026	Dust cap	轮毂防尘帽	2
24	202140173	FRONT TIRE	6寸轮胎	2
25	202140172	FRONT HUB	6寸轮毂	2



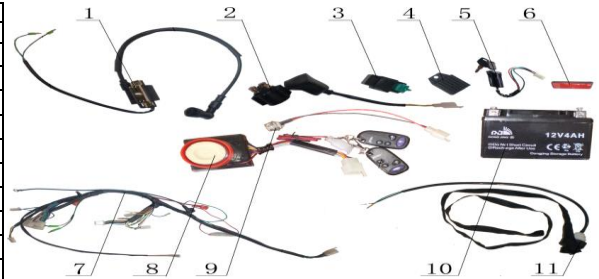
5. Main part Rear suspension system

Ref. No.	Parts No.	Discription	后减震	QTY
1	202010036	REAR SHOCK	后减震	1
2		HEX FLANGE LOCKING NUT	自锁螺母M10	6
3		Hexagon flange bolts	六角法兰面螺栓M10x45	2
4	203010439	CHAIN COVER	链条支架	2
5		Hexagon flange bolts	六角法兰螺栓M12x190	1
6		Hexagon flange bolts	自锁螺母M12	1
7	202120002	BEARING	6001轴承	2
8	203010454	GASKET	后叉隔套	1
9	203010429	REAR FORK	后叉	1
10	202100032	chian	链条428-76节	1
11	202200011	Chain regulator	千斤	2
12	202190011	REAR AXLE	后轴	1
13	202190018	SPROCKET SEAT	链轮座	1
14	202190018	BRAKE SEAT	碟刹座	1
15	202090018	CHAIN WHEEL	链轮428-37齿	1
16	202090027	REAR DISC BRAKE	小精灵圆盘160mm	1
17	202190019	HUB SEAT	轮毂座	2
18	202150027	Big COVER	防尘盖(大)	2
19		Slotted nut	开槽螺母M16x1.5	2
20		Cotter pin	开口销φ3x30	2
21	202150026	Dust cap	防尘帽	2
22		Hexagon flange bolts	六角法兰面螺栓M8x16	8
23	203010431	CONNECTOR	后桥筒	1
24		Hexagon flange bolts	六角法兰面螺栓M10x25	4
25		Hexagon flange bolts	六角法兰面螺栓M8x20	6
26	203010455	GASKET	后桥筒隔套	1
27	202120009	BEARING	6205轴承	2
28	202140172	REAR HUB	6寸轮毂	2
29	202140173	REAR TIRE	6寸轮胎	2



6. Main part Electrical parts

Ref. No.	Parts No.	Discription	QTY
1	202030019	IGNITION COIL	1
2	202030017	RELAY	1
3	202030018	C.D.I	1
4	202030016	RECTIFIER	1
5	202060017	ELECTRIC LOCK	1
6	201137001	REPLAY TRANSMITTER	1
7	202050017	CABLE	1
8	202030011	ALARM	1
9	202050029	CHARGER SLOT	1
10	202180004	BATTERY	1
11	202060010	FLAME OUT SWITCH	1



7. Main part Hydraulic brake system

Ref. No.	Parts No.	Discription	QTY
1	202040005	left DRUM BRAKE	1
2	202040046	right DRUM BRAKE	1
3	202040017	BRAKE CABLE	2
4	202070014	HANDLE BRAKE	1
5	202040039	REAR BRAKE	1

