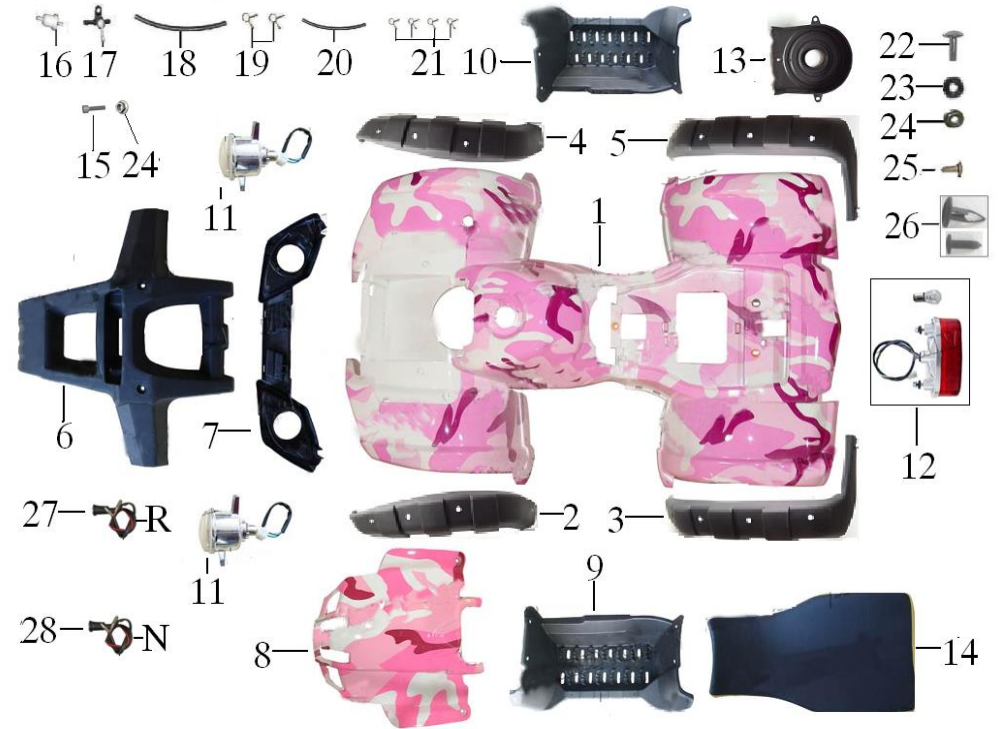


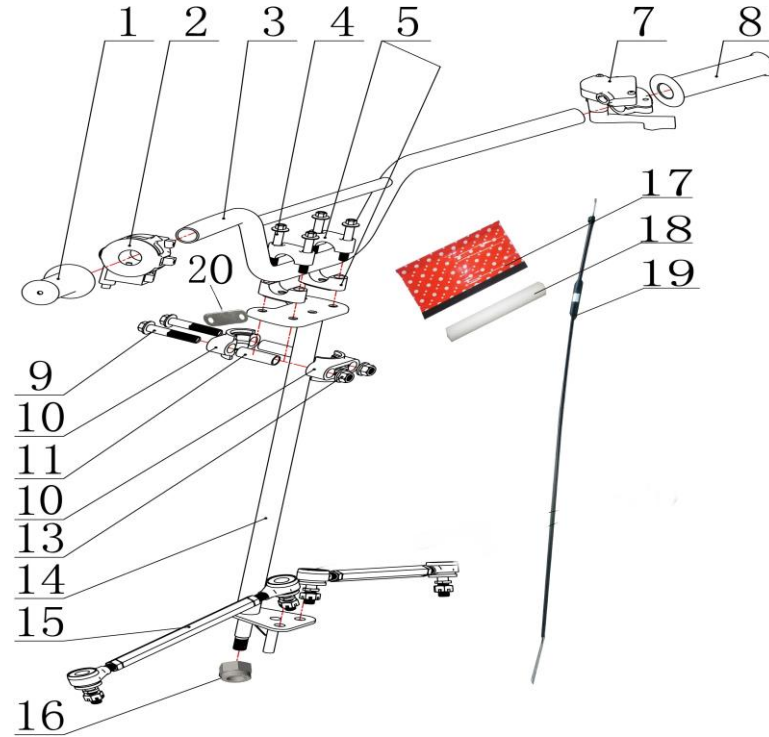
### 1. Main part Plastic cover

Ref. No.	Parts No.	Discription	名称及规格	QTY
1	201246001	MAIN PLASTIC BODY	ATV-006小公牛车体12-1	1
2	201392001	FR.L.Plastic hemming	ATV-006小公牛塑料包边左前12-2	1
3	201394001	R.L.Plastic hemming	ATV-006小公牛塑料包边左后12-3	1
4	201393001	FR.R.Plastic hemming	ATV-006小公牛塑料包边右前12-4	1
5	201395001	R.R.Plastic hemming	ATV-006小公牛塑料包边右后12-5	1
6	201248001	DECORATIVE BOARD,FR.BUMPER	ATV-006小公牛前保护架罩12-6	1
7	201251001	LIGHT COVER	ATV-006小公牛灯架12-7	1
8	201247001	FR.PANEL	ATV-006小公牛面板盖12-8	1
9	201249001	L.FOOTREST	ATV-006小公牛左脚踏板12-9	1
10	201250001	R.FOOTREST	ATV-006小公牛右脚踏板12-10	1
11	202200076	FR.LIGHT	ATV-006 LED大灯12-11	2
12	202200075	TAIL LIGHT	ATV-006 LED后尾灯12-12	1
13	201207001	chain cover	沙滩车通用链罩	1
14	202220021	SEAT	ATV-006 (小公牛) 坐垫	1
15		talk	M6X20内六角圆柱头螺栓	1
16	202150002	GAS FILTER	油滤器	1
17	202150003	OIL SWITCH	油开关	1
18	202210016	SMALL FUEL PIPE	油管7x11	0.29m
19	202200057	BIG SPRINGINESS LATHE DOG	大油管卡簧	1
20	202210009	BIG FUEL PIPE	EPA油管4.5*8.5	0.4m
21	202200058	SMALL SPRINGINESS LATHE DOG	小油管卡簧	5
22		big hexagon socket flat head bolt	M6X16内六角大扁头螺栓	30
23	202150006	rubber washer	单层胶垫	30
24		self locking nut	M6自锁螺母	31
25		self tapping screw	M4X12自攻螺钉	8
26	202200155	Expansion screw	塑料组合膨胀螺钉	22
27	202200088	INDICATOR LIGHT R	档显灯R	1
28	202200089	INDICATOR LIGHT N	档显灯N	1



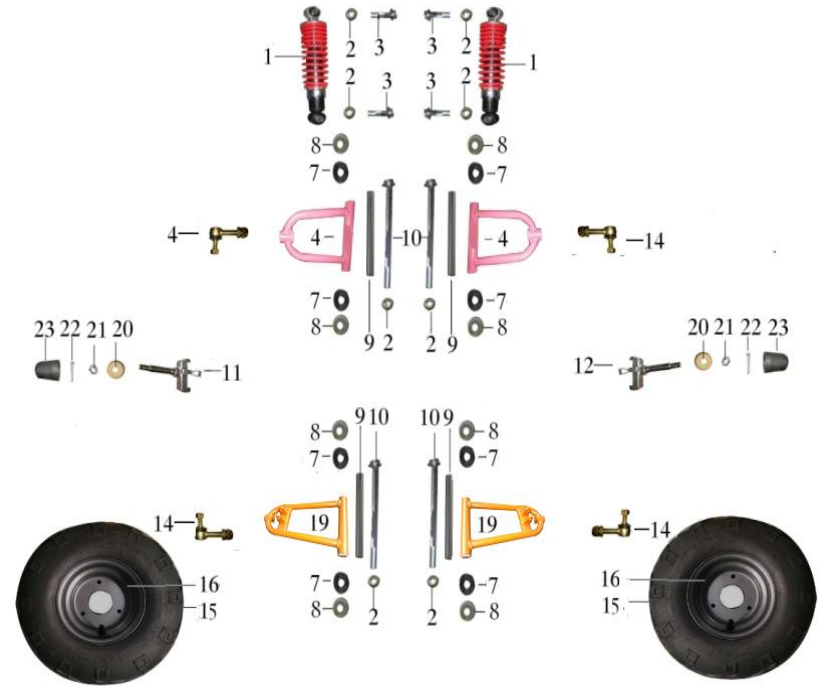
## 2. Main part steering system

Ref. No.	Parts No.	Discription	名称及规格	Q'TY
1	202070057	HANDLE BAR	套色手把套 (美国状态)	1
2	202060008	FUNCTION SWITCH	三功能开关	1
3	203010443	STEERING BAR	沙滩车手把管喷塑	1
4		Hexagon flange bolts	六角法兰面螺栓M8X55	4
5	202110047	UPPER CLIP	50手把夹块1套	1
/	/	/	/	/
7	202070014	THROTTLE	沙滩车双刹加油器	1
8	202070057	HANDLE BAR	套色手把套 (美国状态)	1
9		Hexagon flange bolts	六角法兰面螺栓M10X60	2
10	201337001	STEERING CLIP (UPPER)	大公牛方向柱夹块1副	1
11	204102001	GASKET	方向柱内衬套 ( $\Phi 14 \times \Phi 11 \times 40\text{mm}$ )	2
12	/	/	/	/
13		NUT	防松螺母M10	2
14	203010807	STEERING POST	EPA小公牛方向柱喷塑	1
15	202120050	tie rod	190mm横直拉杆高配 (19*27) 1副	1
16		NUT	防松螺母M12	1
17	202160014	PROTECTION MASK	圆柱包布中 中性	1
18	202170002		海绵管18*50	1
19	202080022	THROTTLE CABLE	EPA油门线720mmx85mm	1
20			方向柱夹块垫片	1



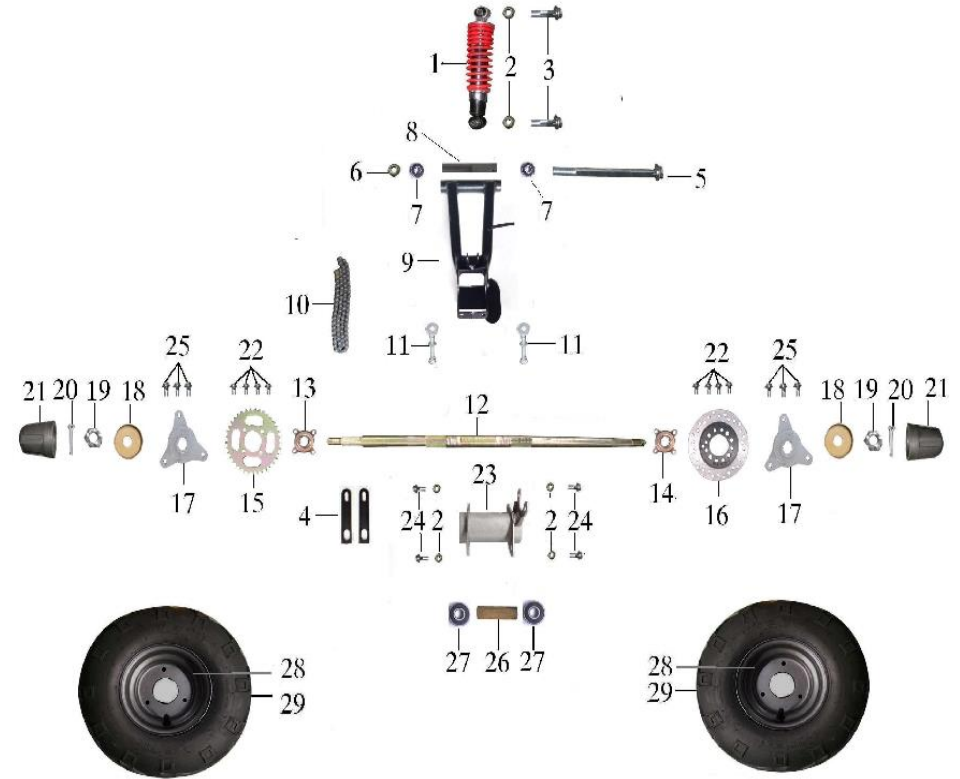
### 3. Main part front suspension system

No.	Parts No.	Discription	名称及规格	Q'TY
1	202010031	FRONT SHOCK	小公牛/小火星前减φ7×250mm	2
2		HEX FLANGE LOCKING NUT	自锁螺母M10	12
3		Hexagon flange bolts	六角法兰面螺栓M10x40	4
4	203010803	UPPER SWING ARM	EPA小公牛上摇臂喷塑	2
5		Hexagon flange bolts	六角法兰面螺栓M10x70	4
6	203010453	short GASKET	摇臂短隔套Φ14×Φ10.2×48mm	4
7	201210001	small WASHER	尼龙套小	8
8	202150029	small COVER	沙滩车防尘盖小	8
9	203010503	long GASKET	沙滩车(除ATV-001外)摇臂长隔套(Φ14×Φ10.2×161mm)	4
10		Hexagon flange bolts	六角法兰面螺栓M10x190	4
11	202190045	LEFT ELEVATION AXIS	鼓刹铸钢转向节(左)	1
12		RIGHT ELEVATION AXIS	鼓刹铸钢转向节(右)	1
14	202200182	tie rod end	50可调球头14×67带螺帽	4
15	202140183	REAR HUB	19*7-8前轮胎\拖花外胎	2
16	202140046	front rim	19*7-8前轮毂/套色	2
18		HEX FLANGE LOCKING NUT	自锁螺母M12	2
19	203010805	LOWER SWING ARM	EPA小公牛下摇臂喷塑	2
20	202150027	Big COVER	沙滩车防尘盖大	2
21		Slotted nut	开槽螺母M14x1.5	2
22		Cotter pin	开口销φ2.5x30	2
23	202150026	Dust cap	沙滩车橡胶防尘帽	2



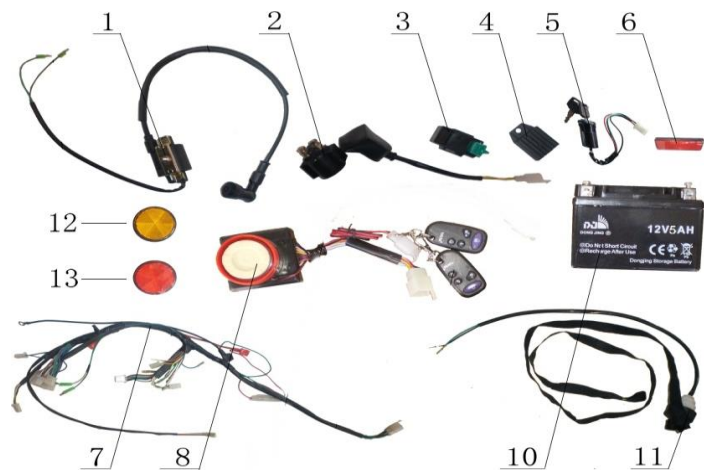
#### 4. Main part Rear suspension system

Ref. No.	Parts No.	Description	名称及规格	QTY
1	202010037	REAR SHOCK	小霸王/火星/公牛/宝马通用后减8mmx250mm阻尼	1
2		HEX FLANGE LOCKING NUT	自锁螺母M10	6
3		Hexagon flange bolts	六角法兰面螺栓M10x45	2
4	203010439	CHAIN COVER	沙滩车链罩支架喷塑	2
5		Hexagon flange bolts	六角法兰螺栓M12x225	1
6		Hexagon flange bolts	自锁螺母M12	1
7	202120049	BEARING	6001轴承新	2
8	203010504	GASKET	沙滩车(除ATV-001外)后叉隔套 (Φ16x12.2x178mm)	1
9	203010532	REAR FORK	ATV-006后叉喷塑	1
10	202100034	chain	链条428-84节	1
11	202200011	Chain regulator	大越野千斤	2
12	202190013	REAR AXLE	沙滩车大轴	1
13	202190022	SPROCKET SEAT	7,8寸链轮座	1
14		BRAKE SEAT	7,8寸碟刹座	1
15	202090018	CHAIN WHEEL	链轮428-37齿(48内孔)(德国沙滩车)	1
16	202090027	REAR DISC BRAKE	沙滩车圆盘小精灵160mm	1
17	202190021	HUB SEAT	大四角8寸轮毂座	2
18	202150027	Big COVER	沙滩车防尘盖大	2
19		Slotted nut	开槽螺母M16x1.5	2
20		Cotter pin	开口销φ2.5x30	2
21	202150026	Dust cap	沙滩车橡胶防尘帽	2
22		Hexagon flange bolts	六角法兰面螺栓M8x16	8
23	203010489	CONNECTOR	沙滩车后桥筒(除001/002)通用喷塑	1
24		Hexagon flange bolts	六角法兰面螺栓M10x25	4
25		Hexagon flange bolts	六角法兰面螺栓M8x20	8
26	203010505	GASKET	沙滩车(除ATV-001外)后桥筒隔套 Φ34x1.5x95mm	1
27	202120005	BEARING	6006轴承带封	2
28	202140357	REAR HUB	18*9.5-8后轮毂/套色	2
29	202140184	FRONT TIRE	18*9.5-8后外胎/拖拉机花	2



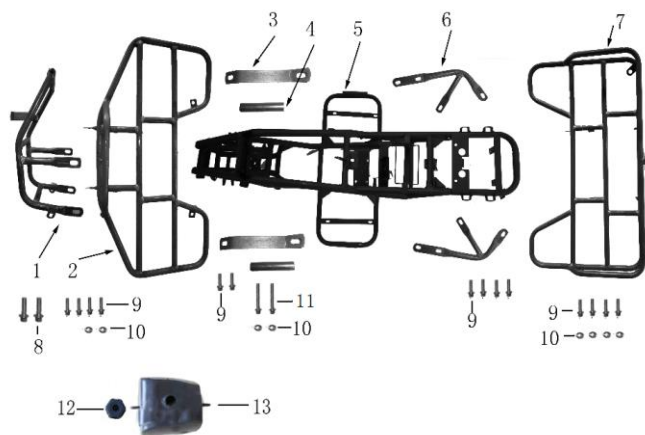
## 5. Main part Electrical parts

Ref. No.	Parts No.	Discription	名称及规格	Q'TY
1	202030078	IGNITION COIL	EPA高压包编号K125-10线长300(ATV)	1
2	202030017	RELAY	110继电器	1
3	202030079	C.D.I	EPA点火器编号K125-02 (ATV)	1
4	202030080	RECTIFIER	110半波不带线稳压器	1
5	202060017	ELECTRIC LOCK	四冲普通电门锁	1
6	201137001	REPLAY TRANSMITTER	反光片	1
7	202050041	CABLE	EPA小公牛/小火星1+1总线	1
8	202030028	ALARM	单功能报警器	1
9	/		/	/
10	202180008	BATTERY	12V5A后加液电池	1
11	202060026	FLAME OUT SWITCH	EPA布带开关	1
12	202200252	reflector I	DOT认证反光片圆形(橙色)	2
13	202200255	reflector II	DOT认证反光片圆形(红色)	2



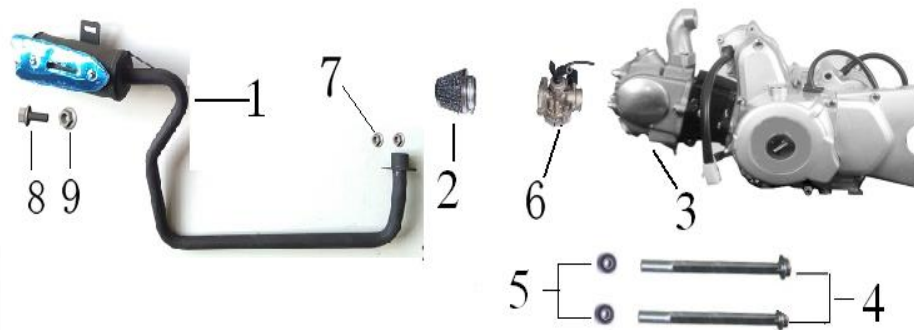
## 6. Main part Frame

Ref. No.	Parts No.	Discription	名称及规格	Q'TY
1	203039001 ATV-006车 架组件	FENDER GUARD	ATV-006前保护架	1
2		ahead rack	ATV-006前货架	1
3		Connection piece	ATV-006前塑件支架	2
4		tube	ATV-006前货架衬管	2
5		FRAME	ATV-006车架	1
6		Fixed frame	ATV-006后货架支撑	2
7		rear rack	ATV-006后货架	1
8		flange bolts	M10X20法兰螺栓	2
9		NUT	自锁螺母M8	8
10		flange bolts	M8X16法兰螺栓	14
11		flange bolts	M8X95法兰螺栓	2
12	202000231	fuel tank cap	EPA油箱盖编码K125-04 (ATV)	1
13	202200243	fuel tank	EPA铁油箱编码K125-03 (ATV)	1



### 7. Main part Main part Induction system

Ref. No.	Parts No.	Discription	名称及规格	Q'TY
1	202130104	EXHAUST PIPE	EPA ATV-006排气管	1
2	202200244	AIR FILTER	EPA空滤器编码K125-05	1
3	205140001	ENGINE	K110发动机1+1	1
4		Hexagon flange bolts	六角法兰面螺栓M8x105	2
5		HEX FLANGE LOCKING NUT	自锁螺母M8	2
6	202030081	carburetor	PZ20化油器 (Fα-9)	1
7		nut	M6自锁螺母	2
8		bolt	六角法兰面螺栓M8X20	1
9		nut	M8自锁螺母	1



### 8. Main part Hydraulic brake system

Ref. No.	Parts No.	Discription	名称及规格	Q'TY
1	202040006	left DRUM BRAKE	110左鼓刹器	1
2	202040047	right DRUM BRAKE	110右鼓刹器	1
3	202040053	BRAKE CABLE	EPA刹车线980-100(美国8寸通用)	2
4	203010784	foot brake fast	EPA小恐龙脚刹杆喷塑	1
5		nut	M5自锁螺母	2
6	202040051	rear brake set	后液刹带整体刹车开关/油管400mm顶杆长88mm	1
7	202150037	spring	后刹制动回位簧 (长)	1
8		bolt	M5X16六角法兰面螺栓	2

