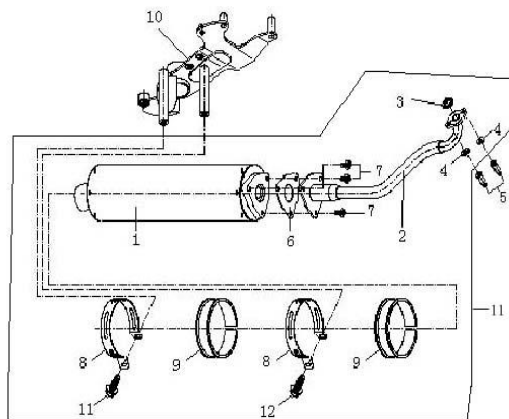


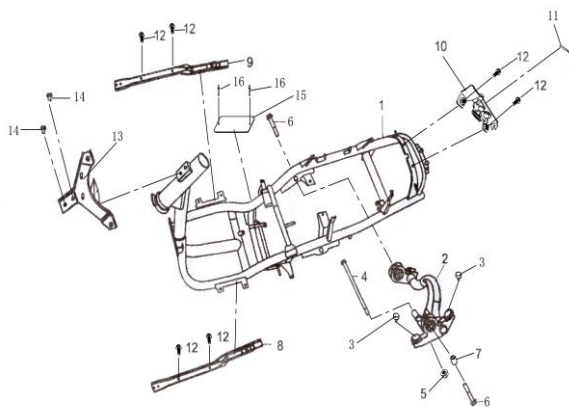
LB50QT-12 PARTS CATALOGUE

图 1	排气消声器总成	LB50QT-12	价格合计	
Draft 1	EXHAUST MUFFLER ASSY.	F-01	Total	



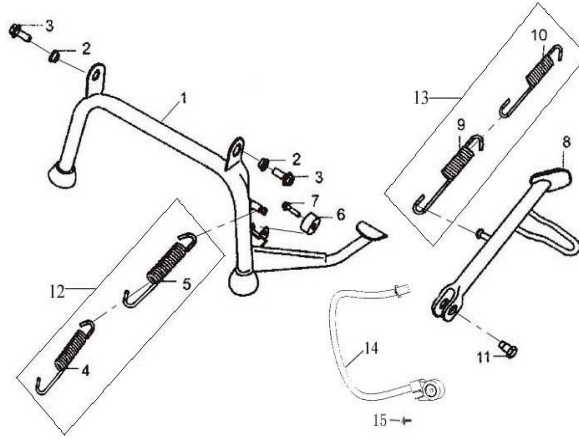
NO.	ICEBEAR Part NO.	Chinese Name	Description	Polish	QTY	Unit price	total price
1	PMZ150-3C-A-001	消声器筒体	Pipe, Exhaust Muffler		1	17	17
2	PMZ150-3C-A-002	消声器弯管	Front Tube, Exhaust Muffler		1	8	8
3	PMZ150-3C-A-003	消声器密封圈	Seal Washer, Exhaust Muffler		1	0.1	0.1
4	PMZ150-3C-A-004	盖型螺母M6×32	Cap Nut, M6×32		2	0.06	0.12
5	PMZ150-3C-A-005	消声器密封垫	Seal Washer, Exhaust Muffler		1	0.06	0.06
7	PMZ150-3C-A-006	六角法兰面螺栓M8×16	Flange Bolt, M8×16		3	0.06	0.18
8	PMZ150-3C-A-007	消声器安装卡箍	Fixing Ring, Exhaust Muffler		2	0.2	0.4
9	PMZ150-3C-A-008	消声器安装卡箍橡胶条	Rubber Strip, Exhaust Muffler		2	0.06	0.12
10	PMZ150-3C-A-009	排气消声器连接板组合	Connecting Plate Comp, Exhaust Muffler		1	4.5	4.5
12	PMZ150-3C-A-010	六角法兰面螺栓M8×25	Flange Bolt, M8×25		2	0.06	0.12

图 2	车架总成	LB50QT-12	价格合计	
Draft 2	FRAME ASSY.	F-02	Total	

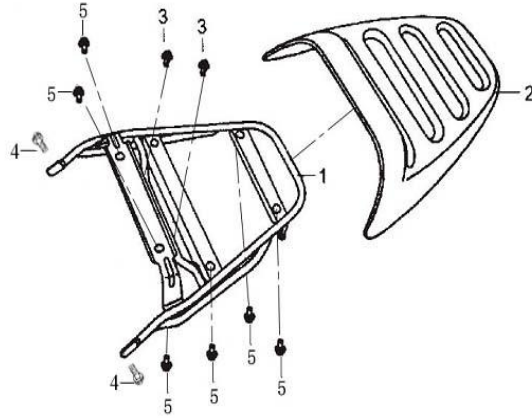


NO.	ICEBEAR Part NO.	Chinese Name	Description	Polish	QTY	Unit price	total price
1	PMZ150-3C-B-001	车架焊接总成	Frame welding assy.		1	31.71	31.71
2	PMZ150-3C-B-002	发动机吊架	Engine Mount		1	2.55	2.55
3	PMZ150-3C-B-003	发动机吊架缓冲橡胶	Cushioning Rubber, Engine Mount		2	0.5	1
4	PMZ150-3C-B-004	发动机悬挂轴M10×1.25×280	Engine Mount Axis, M10×1.25×280		1	0.06	0.06
5	PMZ150-3C-B-005	全金属六角法兰面锁紧螺母M10	Flange Lock Nut, M10		1	0.06	0.06
6	PMZ150-3C-B-006	六角法兰面螺栓M10×55	Flange Bolt, M10×55		2	0.06	0.12
7	PMZ150-3C-B-007	发动机吊架衬套 φ11×φ18×6	Collar, Engine Mount φ11×φ18×6		2	0.5	1
8	PMZ150-3C-B-008	脚踏板左支架	L. Side Holder, Pedal		1	1.2	1.2
9	PMZ150-3C-B-009	脚踏板右支架	R. Side Holder, Pedal		1	1.2	1.2

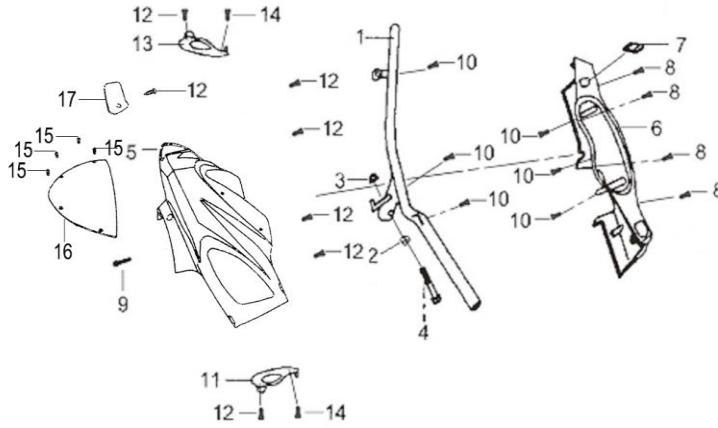
10	PMZ150-3C-B-010	座垫锁座组件	Seat Lock Comp		1	0.8	0.8
11	PMZ150-3C-B-011	座垫锁拉索	Cable, Seat Lock		1	0.3	0.3
12	PMZ150-3C-B-012	六角法兰面螺栓M6×12	Flange Bolt, M6×12		6	0.06	0.36
13	PMZ150-3C-B-013	前照灯支架组合	Holder, Headlight		1	2.25	2.25
14	PMZ150-3C-B-014	六角法兰面螺栓M8×12	Flange Bolt, M8×12		2	0.06	0.12
15	PMZ150-3C-B-015	车架铭牌	Statutory Inscription Plate,Frame		1	0.06	0.06
16	PMZ150-3C-B-016	开口型扁头抽芯铆钉3×5	Rivet, Statutory Inscription Plate		2	0.06	0.12
图 3		主支架（双撑）/侧支架（单撑）	LB50QT-12		价格合计		
Draft 3		MAIN / SIDE STAND	F-03		Total		



NO.	ICEBEAR Part NO.	Chinese Name	Description	Polish	QTY	Unit price	total price
1	PMZ150-3C-C-001	主支架（双撑）	Main Stand Assy		1	2.15	2.15
2	PMZ150-3C-C-002	主支架衬套	T-Collar, Main Stand		2	0.06	0.12
3	PMZ150-3C-C-003	六角法兰面螺栓M10×25	Flange Bolt, M10×25		2	0.06	0.12
4	PMZ150-3C-C-004	主支架回位内弹簧	Inner Spring, Main Stand		1	0.22	0.22
5	PMZ150-3C-C-005	主支架回位外弹簧	Outer Spring, Main Stand		1	0.22	0.22
6	PMZ150-3C-C-006	主支架限位胶垫	Retainer Rubber, Main Stand		1	0.3	0.3
7	PMZ150-3C-C-007	六角法兰面螺栓M6×25	Flange Bolt, M6×25		1	0.5	0.5
8	PMZ150-3C-C-008	侧支架（单撑）	Side Stand Assy		1	0.75	0.75
9	PMZ150-3C-C-009	侧支架回位外弹簧	Outer Spring, Side Stand		1	0.22	0.22
10	PMZ150-3C-C-010	侧支架回位内弹簧	Inner Spring, Side Stand		1	0.22	0.22
11	PMZ150-3C-C-011	侧支架螺栓	Bolt, Side Stand		1	0.06	0.06
12	PMZ150-3C-C-012	主支架回位弹簧组件	Side Spring Comp, Main Stand		1	0.44	0.44
13	PMZ150-3C-C-013	侧支架回位弹簧组件	Side Spring Comp, Side Stand		1	0.44	0.44
14	PMZ150-3C-C-014	侧支架熄火开关	flameout switch		1	1.07	1.07
15	PMZ150-3C-C-015	六角法兰面螺栓M6×16	Screw, M6×16		1	0.06	0.06
图 4		后货架	LB50QT-12		价格合计		
Draft 4		REAR BAGGAGE RACK	F-04		Total		

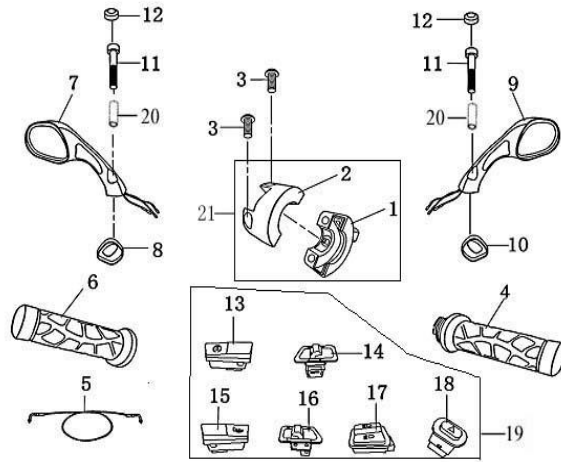


NO.	ICEBEAR Part NO.	Chinese Name	Description	Polish	QTY	Unit price	total price
1	PMZ150-3C-D-001	后货架焊接组合	Baggage Rack welding assy		1	2.57	2.57
2	PMZ150-3C-D-002	后货架外罩	Cover,Baggage Rack		1	2.3	2.3
3	PMZ150-3C-D-003	六角法兰面螺栓M6×16	Flange Bolt,M6×16		2	0.06	0.12
4	PMZ150-3C-D-004	六角法兰面螺栓M8×12	Flange Bolt,M8×12		2	0.06	0.12
5	PMZ150-3C-D-005	六角法兰面螺栓M6×12	Flange Bolt,M6×12		6	0.06	0.36
图 5		方向把前罩/方向把焊接组合/仪表护罩	LB50QT-12				
Draft 5		HANDLE FRONT COVER,HANDLE	F-05				

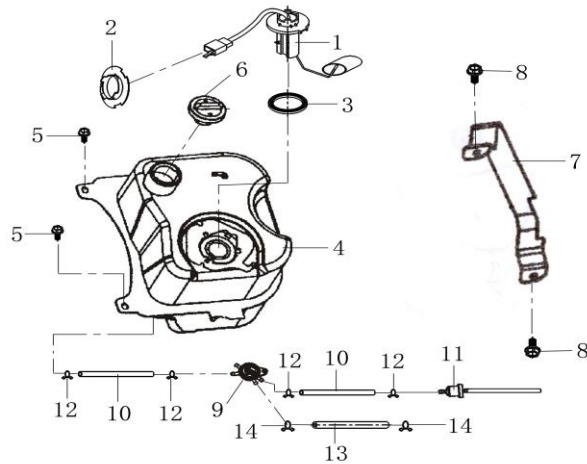


NO.	ICEBEAR Part NO.	Chinese Name	Description	Polish	QTY	Unit price	total price
1	PMZ150-3C-E-001	方向把焊接组合	Steeling Handle welding Comp		1	2.79	2.79
2	PMZ150-3C-E-002	方向把锁紧衬套	Lock Collar,Handle		1	0.2	0.2
3	PMZ150-3C-E-003	全金属六角法兰面锁紧螺母M10	Flange Lock Nut, M10		1	0.06	0.06
4	PMZ150-3C-E-004	六角法兰面螺栓M10×50	Flange Bolt, M10×50		1	0.06	0.06
5	PMZ150-3C-E-005	方向把前罩	Handle Front Cover		1	3.8	3.8
6	PMZ150-3C-E-006	仪表护罩	Meter Case		1	1.71	1.71
7	PMZ150-3C-E-007	碟刹上泵护盖	Decorative Board ,Meter Case		1	0.3	0.3
8	PMZ150-3C-E-008	十字槽盘头自攻螺钉ST4.2×12	Tapping Screw, ST4.2×12		4	0.06	0.24
9	PMZ150-3C-E-009	十字槽盘头螺钉M5×25	Bolt, M5×25		1	0.06	0.06
10	PMZ150-3C-E-010	十字槽盘头自攻螺钉ST4.8×16	Tapping Screw, ST4.8×16		6	0.06	0.36
11	PMZ150-3C-E-011	左手柄护罩	Cover, L. Handlebar		1	0.3	0.3
12	PMZ150-3C-E-012	十字槽盘头自攻螺钉ST4.8×12	Tapping Screw, ST4.8×12		7	0.06	0.42
13	PMZ150-3C-E-013	右手柄护罩	Cover, R. Handlebar		1	0.3	0.3
14	PMZ150-3C-E-014	十字槽盘头自攻螺钉ST4.2×12	Tapping Screw, ST4.2×12		2	0.06	0.12
15	PMZ150-3C-E-015	膨胀螺钉	Screw		4	0.06	0.24

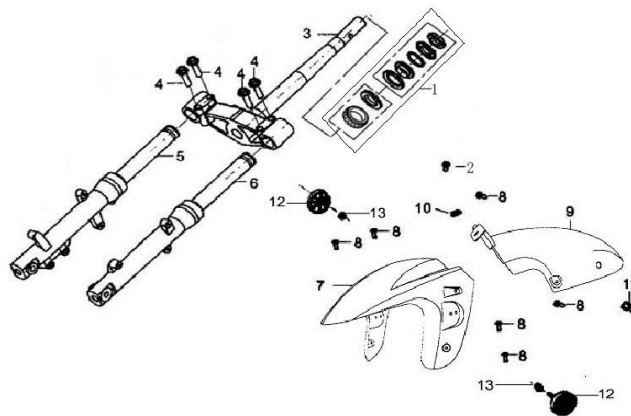
16	PMZ150-3C-E-016	前挡风板	Front Windshield		1	1.2	1.2
17	PMZ150-3C-E-017	碟刹上泵护盖	Decorative Board ,Meter Case, R		1	0.3	0.3
图 6		握把/后视镜/拉索/开关	LB50QT-12		价格合计		
Draft 6		HANDLEBAR, REAR VIEW MIRROR, CABLE & SWITCH	F-06		Total		



NO.	ICEBEAR Part NO.	Chinese Name	Description	Polish	QTY	Unit price	total price
1	PMZ150-3C-F-001	油门拉索座上盖	Upper Cover,Throttle Cable		1	0.2	0.2
2	PMZ150-3C-F-002	油门拉索座下盖	Bottom Cover, Throttle Cable		1	0.2	0.2
3	PMZ150-3C-F-003	十字槽盘头螺钉M5×30	Screw, M5×30		2	0.06	0.12
4	PMZ150-3C-F-004	油门握把组合	Grip, R. Handle(Throttle Control)		1	0.64	0.64
5	PMZ150-3C-F-005	油门拉索组合	Throttle Cable Assy		1	1.1	1.1
6	PMZ150-3C-F-006	左握把	Grip, L. Handle		1	0.64	0.64
7	PMZ150-3C-F-007	左后视镜	Rear View Mirror, L.		1	2.8	2.8
8	PMZ150-3C-F-008	左后视镜支承胶垫	Rubber Cover, L. Rear View Mirror		1	0.06	0.06
9	PMZ150-3C-F-009	右后视镜	Rear View Mirror, R.		1	2.8	2.8
10	PMZ150-3C-F-010	右后视镜支承胶垫	Rubber Cover, R. Rear View Mirror		1	0.06	0.06
11	PMZ150-3C-F-011	内六角圆柱头螺钉M8×45	Inner Hex Bolt, M8×45		2	0.06	0.12
12	PMZ150-3C-F-012	后视镜安装胶垫	Fixing Rubber Cover, Rear View Mirror		2	0.06	0.12
13	PMZ150-3C-F-013	起动开关组件	Electric Start Switch Comp		1	0.45	0.45
14	PMZ150-3C-F-014	照明灯开关组件	Headlight Switch Comp		1	0.45	0.45
15	PMZ150-3C-F-015	喇叭开关组件	Horn Switch Comp		1	0.45	0.45
16	PMZ150-3C-F-016	转向灯开关组件	Turning Light Switch Comp		1	0.45	0.45
17	PMZ150-3C-F-017	远近光开关组件	Far and Near Light Switch Comp		1	0.45	0.45
18	PMZ150-3C-F-018	停车灯开关组件	Stopping Light Switch Comp		1	0.45	0.45
19	PMZ150-3C-F-019	开关组合			1	0.06	0.06
20	PMZ150-3C-F-020	后视镜安装衬套 φ8-φ14*20			2	1.2	2.4
21	PMZ150-3C-F-021	油门拉索座组件			1	0.5	0.5
图 7		油箱总成	LB50QT-12		价格合计		
Draft 7		FUEL TANK ASSY	F-07		Total		

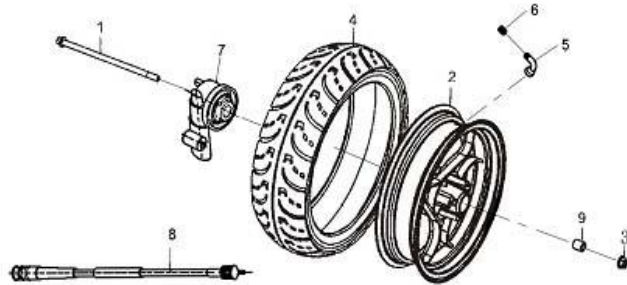


NO.	ICEBEAR Part NO.	Chinese Name	Description	Polish	QTY	Unit price	total price
1	PMZ150-3C-G-001	燃油传感器	Fuel Level Sensor		1	0.86	0.86
2	PMZ150-3C-G-002	燃油传感器压板	Press Block, Fuel Level Sensor		1	0.2	0.2
3	PMZ150-3C-G-003	燃油传感器密封胶垫	Oil Seal Gasket ,Fuel Level Senso		1	0.2	0.2
4	PMZ150-3C-G-004	油箱焊接组合	Fuel Tank Welding Assy		1	5.04	5.04
5	PMZ150-3C-G-005	六角法兰面螺栓M6×12	Flange Bolt, M6×12		2	0.06	0.12
6	PMZ150-3C-G-006	油箱盖组合	Cap Assy, Fuel Tank		1	0.8	0.8
7	PMZ150-3C-G-007	油箱安装压板	Fixing Block, Fuel Tank		1	0.9	0.9
8	PMZ150-3C-G-008	六角法兰面螺栓M8×12	Flange Bolt, M8×12		2	0.06	0.12
9	PMZ150-3C-G-009	燃油开关	Fuel Switch		1	0.86	0.86
10	PMZ150-3C-G-010	油管 (II)	Fuel Tube (II)		2	0.2	0.4
11	PMZ150-3C-G-011	燃油过滤器组件	Fuel Filter Comp		1	0.3	0.3
12	PMZ150-3C-G-012	油管卡 II (B10)	Clip, Fuel Tube II (B10)		4	0.2	0.8
13	PMZ150-3C-G-013	油管 (III)	Fuel Tube (III)		1	0.2	0.2
14	PMZ150-3C-G-014	油管卡 I (B7)	Clip, Fuel Tube (B7)		2	0.2	0.4
图 8		方向柱/前减震	LB50QT-12		价格合计		
Draft 8		STEERING / FRONT SHOCK ABSOR	F-08		Total		

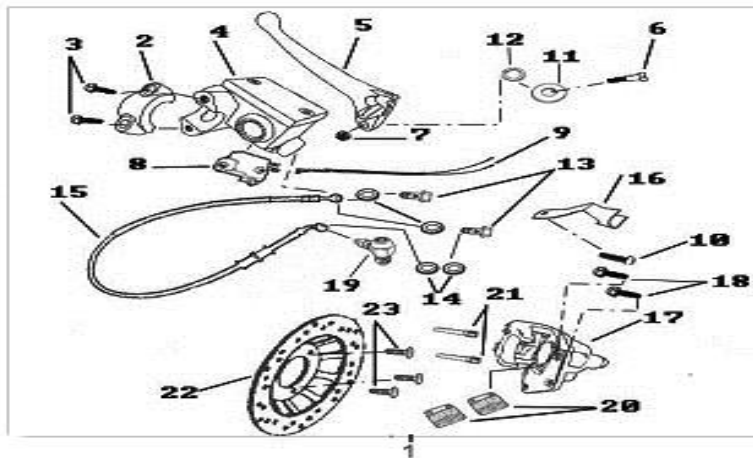


NO.	ICEBEAR Part NO.	Chinese Name	Description	Polish	QTY	Unit price	total price
1	PMZ150-3C-H-001	方向轴承组件	Steel Ball Bowl Assy		1	2.1	2.1
2	PMZ150-3C-H-002	十字槽盘头螺钉M6×16	Screw, M6×12		1	0.06	0.06
3	PMZ150-3C-H-003	下联板	Lower Bridge Assy, Steer Stem		1	7.71	7.71
4	PMZ150-3C-H-004	六角法兰面螺栓M10×45	Flange Bolt, M10×45		4	0.06	0.24
5	PMZ150-3C-H-005	前左减震器	L. Front Shock Absorber		1	9	9
6	PMZ150-3C-H-006	前右减震器	R. Front Shock Absorber		1	9	9
7	PMZ150-3C-H-007	前挡泥板前体	Front Part, Front Fender		1	3.6	3.6

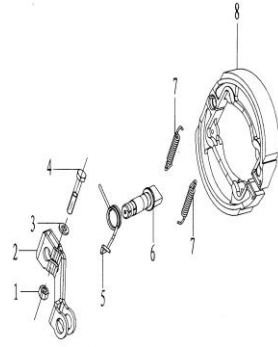
8	PMZ150-3C-H-008	十字槽小盘头螺钉M6×16	Screw, M6×12		6	0.06	0.36
9	PMZ150-3C-H-009	前挡泥板后体	Rear Part, Front Fender		1	1.65	1.65
10	PMZ150-3C-H-010	卡子螺母M6	Clamp Nut M6		1	0.06	0.06
11	PMZ150-3C-H-011	里程表软轴橡胶环	Rubber Clip, Meter Cable		1	0.06	0.06
12	PMZ150-3C-H-012	侧反射器	Side Reflector		2	0.6	1.2
13	PMZ150-3C-H-013	六角法兰面螺母 M6	Flange Nut, M6		2	0.06	0.12
Draft 9		FRONT WHEEL	F-09			Total	



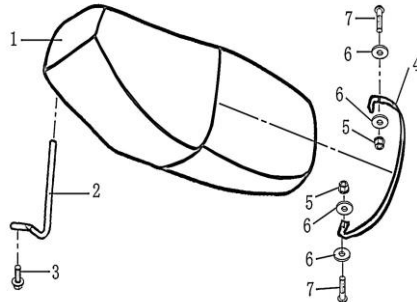
NO.	ICEBEAR Part NO.	Chinese Name	Description	Polish	QTY	Unit price	total price
1	PMZ150-3C-I-001	前轮轴M12×252	Axle, Front Wheel, M12×252		1	1	1
2	PMZ150-3C-I-002	前轮毂组合	Rim, Front Wheel		1	19	19
3	PMZ150-3C-I-003	全金属六角法兰面锁紧螺母M10	Flange Lock Nut, M10		1	0.06	0.06
4	PMZ150-3C-I-004	前轮外胎	Tyre, Front Wheel 3.50-10		1	15	15
5	PMZ150-3C-I-005	气门嘴	Tubeless Valve		1	0.3	0.3
6	PMZ150-3C-I-006	气门嘴盖	Cap, Tubeless Valve		1	0.2	0.2
7	PMZ150-3C-I-007	速度计齿轮盒	Count Gear Box, Odometer		1	1.86	1.86
8	PMZ150-3C-I-008	里程表软轴组合	Cable Comp, Odometer		1	0.9	0.9
9	PMZ150-3C-I-009	前轮左衬套 φ12×φ23×21	Collar, φ12×φ23×21		1	0.06	0.06
图 10		前液压制动器总成	LB50QT-12			价格合计	
Draft 10		FRONT HYDRAULIC BRAKE SYST	F-10			Total	



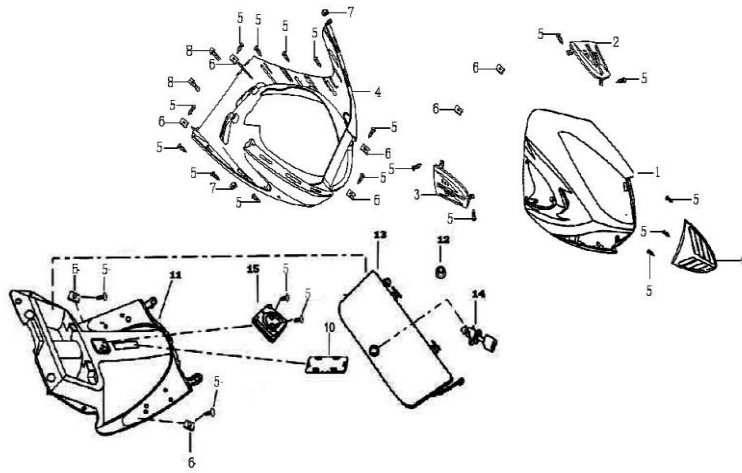
NO.	ICEBEAR Part NO.	Chinese Name	Description	Polish	QTY	Unit price	total price
1	PMZ150-3C-J-001	前液压制动器总成	Front Hydraulic Brake System		1	17	17
2	PMZ150-3C-J-002	前液压制动主泵连接卡	Clip, Front Hydraulic Cylinder Main Comp		1	0.06	0.06
3	PMZ150-3C-J-003	六角法兰面螺栓M6×22	Flange Bolt, M6×22		2	0.06	0.12
4	PMZ150-3C-J-004	前制动主泵	Front Hydraulic Cylinder Main Pump		1	10.5	10.5



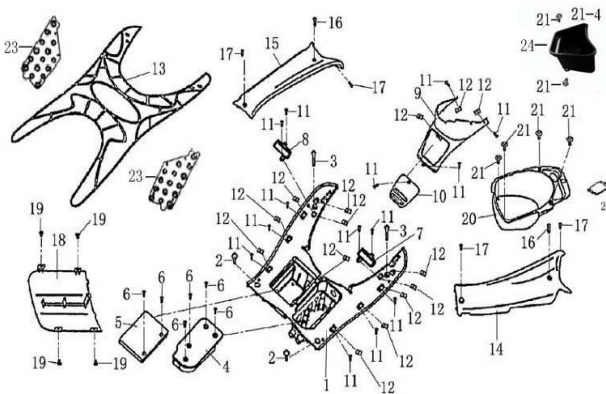
NO.	Part NO.	Chinese Name	Description	Polish	QTY	Unit price	total price
1	PMZ150-3C-L-001	66721-112-0000 六角法兰面螺母M6	Flange Nut, M6		1	0.06	0.06
2	PMZ150-3C-L-002	35330-112-0000 后制动摇臂	Rr brake rocker arm		1	0.54	0.54
3	PMZ150-3C-L-003	47516-112-0000 平垫圈6	Plain Washer, 6		1	0.06	0.06
4	PMZ150-3C-L-004	GB/T6187.1-M6 六角法兰面螺栓M6x35	Flange Bolt, M6x35		1	0.06	0.06
5	PMZ150-3C-L-005	47651-112-0000 后制动摇臂回位弹簧	Returning Spring,Rear Brake Shoe		1	0.06	0.06
6	PMZ150-3C-L-006	GB/T16674-M6-20 后制动摇臂轴	Axis,Rear Brake Rocker		1	0.32	0.32
7	PMZ150-3C-L-007	66423-112-0000 后制动蹄块回位弹簧	Returning Spring,Rear Brake Shoe		2	0.1	0.2
8	PMZ150-3C-L-008	GB/T16674-M10-23 后制动蹄块组件	Rear Brake Shoe Comp		1	1.39	1.39
图 13		座垫总成	LB50QT-12			价格合计	
Draft 13		SEAT ASSY	F-13			Total	



NO.	Part NO.	Chinese Name	Description	Polish	QTY	Unit price	total price
1	PMZ150-3C-M-001	座垫总成	Seat Assy		1	9.43	9.43
2	PMZ150-3C-M-002	座垫前连接销	Front Axle Pin, Seat		1	0.06	0.06
3	PMZ150-3C-M-003	六角法兰面螺栓螺栓M6x16	Flange Bolt, M6x16		1	0.06	0.06
4	PMZ150-3C-M-004	座垫拉带	Seat Decorating Belt		1	0.5	0.5
5	PMZ150-3C-M-005	六角法兰面螺母M6	Flange Nut, M6		2	0.06	0.12
6	PMZ150-3C-M-006	平垫圈6	Plain Washer,6		4	0.06	0.24
7	PMZ150-3C-M-007	十字槽盘头螺钉M6x22	Screw, M6x22		2	0.06	0.12
图 14		前面罩/前护板/前置物箱	LB50QT-12			价格合计	
Draft 14		FRONT COVER, SHIELD COVER & LUGGAGE CARRIER	F-14			Total	



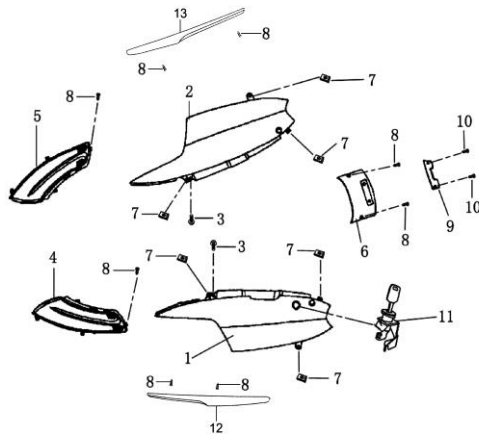
NO.	ICEBEAR Part NO.	Chinese Name	Description	Polish	QTY	Unit price	total price
1	PMZ150-3C-N-001	前面罩	Front Cover		1	6	6
2	PMZ150-3C-N-002	前面罩左通风罩	Left Intake Fender,Front Cover		1	0.9	0.9
3	PMZ150-3C-N-003	前面罩右通风罩	Right Intake Fender,Front Cover		1	0.9	0.9
4	PMZ150-3C-N-004	前护板	Front Shield Cover		1	13	13
5	PMZ150-3C-N-005	十字槽盘头自攻螺钉ST4.8×	Tapping Screw, ST4.8×16		21	0.06	1.26
6	PMZ150-3C-N-006	簧片螺母ST4.8	Clamp, ST4.8		8	0.06	0.48
7	PMZ150-3C-N-007	六角法兰面螺母M6	Flange Nut, M6		2	0.06	0.12
8	PMZ150-3C-N-008	六角法兰面螺栓M6×25	Flange Bolt, M6×25		2	0.06	0.12
9	PMZ150-3C-N-009	前面罩装饰板	Decorate Fender Front Cover		1	3	3
10	PMZ150-3C-N-010	车架号盖板	Cover, Chassis No.		1	0.35	0.35
11	PMZ150-3C-N-011	前置物箱	Front Luggage Carrier		1	2.8	2.8
12	PMZ150-3C-N-012	六角法兰面螺母M6	Flange Nut, M6		1	0.06	0.06
13	PMZ150-3C-N-013	前置物箱盖	Cover, Front Luggage Carrier		1	0.5	0.5
14	PMZ150-3C-N-014	前置物箱锁	Lock Assy, Front Luggage Carrier		1	0.06	0.06
15	PMZ150-3C-N-015	头盔挂钩	Hook, Helmet		1	0.64	0.64
图 15		脚踏板/后置物箱/后置物箱前护罩	LB50QT-12		价格合计		
Draft 15		FOOTREST, REAR LUGGAGE CABINET & ITS FRONT COVER	F-15		Total		



NO.	ICEBEAR Part NO.	Chinese Name	Description	Polish	QTY	Unit price	total price
1	PMZ150-3C-O-001	脚踏板	Footrest Base Panel		1	2.36	2.36
2	PMZ150-3C-O-002	台阶螺栓 I M6×16	Step Bolt, M6×16		2	0.06	0.12
3	PMZ150-3C-O-003	六角法兰面螺栓M6×40	Flange Bolt, M6×40		2	0.06	0.12
4	PMZ150-3C-O-004	左仓盖	Cover, L. Case		1	1.5	1.5
5	PMZ150-3C-O-005	蓄电池盒盖	Cover, Battery		1	0.5	0.5
6	PMZ150-3C-O-006	十字槽盘头自攻螺钉ST4.8×	TappingScrew, ST4.8×12		6	0.06	0.36

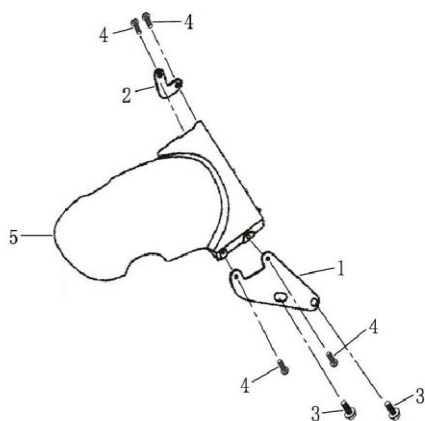
7	PMZ150-3C-O-007	后左搁脚踏板	L. Small Rear Footrest Panel		1	0.35	0.35
8	PMZ150-3C-O-008	后右搁脚踏板	R. Small Rear Footrest Panel		1	0.35	0.35
9	PMZ150-3C-O-009	后置物箱前护罩	Front Cover, Luggage Cabinet		1	0.64	0.64
10	PMZ150-3C-O-010	后置物箱前护罩盖板	Cap, Front Cover, Luggage Cabinet		1	0.5	0.5
11	PMZ150-3C-O-011	十字槽盘头自攻螺钉ST4.8×	Tapping Screw, ST4.8×16		14	0.06	0.84
12	PMZ150-3C-O-012	簧片螺母ST4.8	Clamp, 4.8		14	0.06	0.84
13	PMZ150-3C-O-013	脚踏板胶板	Rubber Mat, Footrest Base Panel		1	0.06	0.06
14	PMZ150-3C-O-014	中左边条	Left Side Cover		1	1.8	1.8
15	PMZ150-3C-O-015	中右边条	Right Side Cover		1	1.8	1.8
16	PMZ150-3C-O-016	六角法兰面螺栓M6×12	Screw, M6×12		2	0.06	0.12
17	PMZ150-3C-O-017	十字槽盘头自攻螺钉ST4.8×	Tapping Screw, ST4.8×12		4	0.06	0.24
18	PMZ150-3C-O-018	车架挡泥板	Fender, Frame		1	0.86	0.86
19	PMZ150-3C-O-019	六角法兰面螺栓M6×12	Flange Bolt, M6×12		4	0.06	0.24
20	PMZ150-3C-O-020	后置物箱	Rear Luggage Cabinet		1	1.82	1.82
21	PMZ150-3C-O-021	六角法兰面螺栓M6×16	Screw, M6×16		7	0.06	0.42
22	PMZ150-3C-O-022	后置物箱盖	Rear Luggage Cabinet cover		1	0.5	0.5
23	PMZ150-3C-O-023	脚踏板铝板	Rear Footrest ,L		0	0	0
24	PMZ150-3C-O-024	中置物箱			1	2.6	2.6

图 16		后围板	LB50QT-12	价格合计	
Draft 16		SIDE & REAR COVERS	F-16	Total	

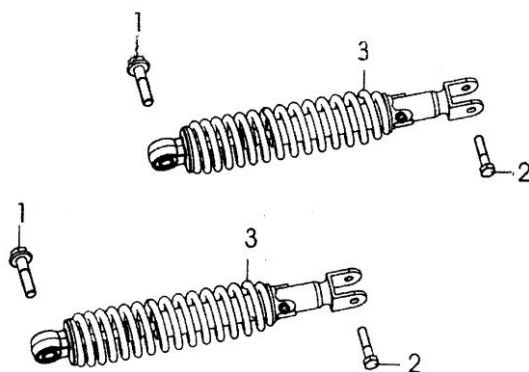


NO.	ICEBEAR Part NO.	Chinese Name	Description	Polish	QTY	Unit price	total price
1	PMZ150-3C-P-001	左后围板	L.Rear Beseting Cover		1	4.05	4.05
2	PMZ150-3C-P-002	右后围板	R. Rear Beseting Cover		1	4.05	4.05
3	PMZ150-3C-P-003	六角法兰面螺栓M6×16	Flange Bolt, M6×16		2	0.06	0.12
4	PMZ150-3C-P-004	后围板左连接板	L.Connected Plate,Rear Beseting Cover		1	1.2	1.2
5	PMZ150-3C-P-005	后围板右连接板	R.Connected Plate,Rear Beseting Cover		1	1.2	1.2
6	PMZ150-3C-P-006	后中连接板	Rear Central Connected Cover		1	0.9	0.9
7	PMZ150-3C-P-007	簧片螺母ST4.8	Clamp, 4.8		6	0.06	0.36
8	PMZ150-3C-P-008	十字槽盘头自攻螺钉ST4.8×	Tapping Screw, ST4.8×12		8	0.06	0.48
9	PMZ150-3C-P-009	后中连接板护板	Shield,Rear Central Connected Cover		1	0.3	0.3
10	PMZ150-3C-P-010	十字槽盘头自攻螺钉ST4.8×	Tapping Screw, ST4.8×16		2	0.06	0.12
11	PMZ150-3C-P-011	座垫锁	Lock Assy, Seat		1	0.06	0.06
12	PMZ150-3C-P-012	左后围板护板	Shield Cover,L. Rear Beseting Cover		1	2	2
13	PMZ150-3C-P-013	右后围板护板	Shield Cover,R. Rear Beseting Cover		1	2	2

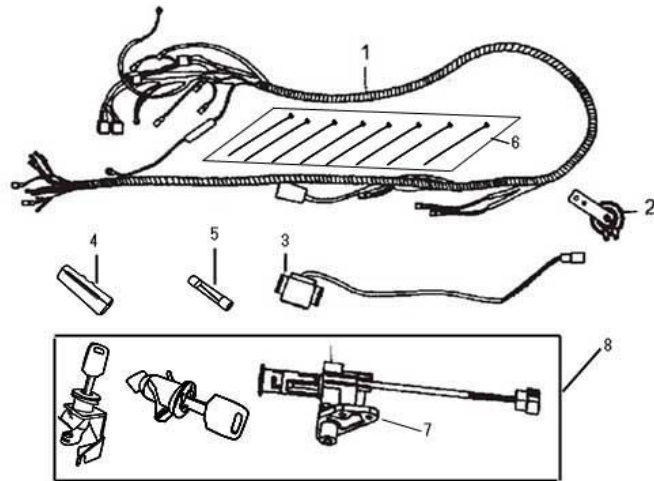
图 17		后轮泥板	LB50QT-12	价格合计	
Draft 17		REAR WHEEL FENDER	F-17	Total	



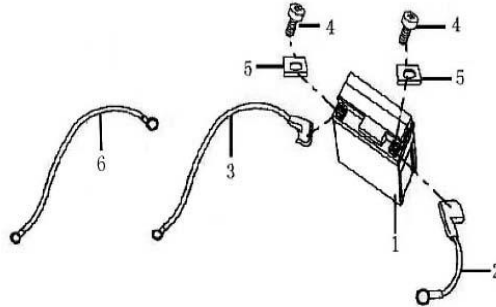
NO.	ICEBEAR Part NO.	Chinese Name	Description	Polish	QTY	Unit price	total price
1	PMZ150-3C-Q-001	后轮泥板右支架	Right Bracket, Rear Wheel fender		1	0.35	0.35
2	PMZ150-3C-Q-002	后轮泥板左支架	Left Bracket, Rear Wheel fender		1	0.35	0.35
3	PMZ150-3C-Q-003	六角法兰面螺栓M8×16	Flange Bolt, M8×16		2	0.06	0.12
4	PMZ150-3C-Q-004	六角法兰面螺栓M6×16	Flange Bolt, M6×16		4	0.06	0.24
5	PMZ150-3C-Q-005	后轮泥板	Rear fender, Rear Wheel		1	0.86	0.86
图 18		后减震器总成	LB50QT-12		价格合计		
Draft 18		REAR SHOCK ABSORBER ASSY	F-18		Total		



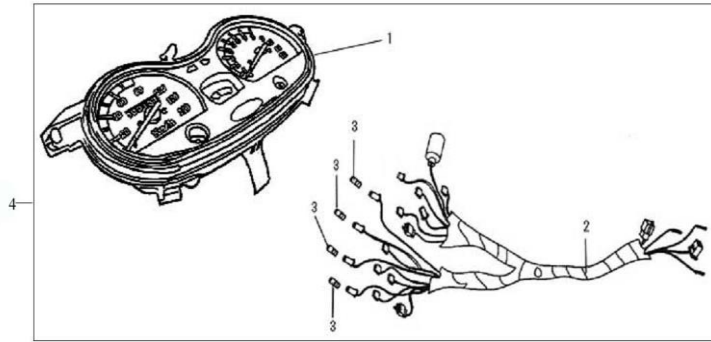
NO.	ICEBEAR Part NO.	Chinese Name	Description	Polish	QTY	Unit price	total price
1	PMZ150-3C-R-001	六角法兰面螺栓M10×40	Flange Bolt, M10×40		2	0.06	0.12
2	PMZ150-3C-R-002	六角头螺栓M8×32	Hex Bolt, M8×32		2	0.06	0.12
3	PMZ150-3C-R-003	后减震器总成	Rear Shock Absorber Assy		2	6	12
图 19		主电缆	LB50QT-12		价格合计		
Draft 19		WIRE HARNESS	F-19		Total		



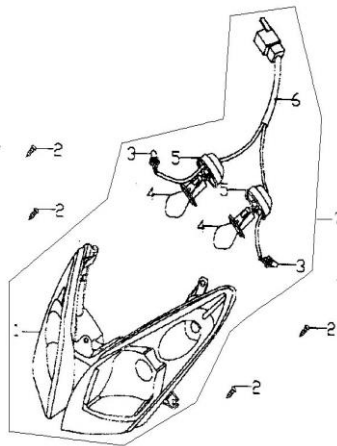
NO.	ICEBEAR Part NO.	Chinese Name	Description	Polish	QTY	Unit price	total price
1	PMZ150-3C-S-001	主电缆	Wire Harness		1	6.8	6.8
2	PMZ150-3C-S-002	喇叭	Horn		1	1.18	1.18
3	PMZ150-3C-S-003	闪光继电器	Winker Relay		1	1.18	1.18
4	PMZ150-3C-S-004	保险管盒	Fuse Box		1	0.06	0.06
5	PMZ150-3C-S-005	保险管	Fuse 7A		2	0.06	0.12
6	PMZ150-3C-S-006	扎带	Strip Set		8	0.06	0.48
7	PMZ150-3C-S-007	方向锁	Steering Lock		1	0.06	0.06
8	PMZ150-3C-S-008	锁具总成	Lock Assy.		1	6.21	6.21
图 20		蓄电池	LB50QT-12			价格合计	
Draft 20		BATTERY	F-20			Total	



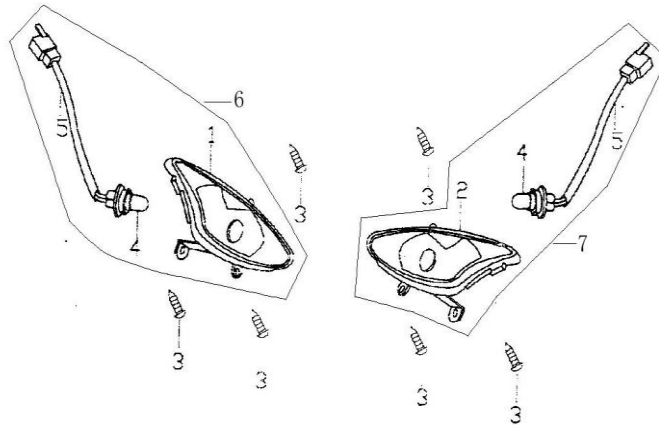
NO.	ICEBEAR Part NO.	Chinese Name	Description	Polish	QTY	Unit price	total price
1	PMZ150-3C-T-001	31500-112-0000 蓄电池12V7Ah	Battery 12V7Ah		1	15	15
2	PMZ150-3C-T-002	32410-112-0000 蓄电池正极线	Anode Cable,Battery		1	0.2	0.2
3	PMZ150-3C-T-003	32430-112-0000 搭铁线 (I)	Cable, Grounding (I)		1	0.2	0.2
4	PMZ150-3C-T-004	GB/T29-2-166-10 十字槽凹穴六角头螺栓M6×10	Bolt, M6×10		2	0.06	0.12
5	PMZ150-3C-T-005	31583-112-0000 蓄电池方螺母	Block Nut		2	0.06	0.12
6	PMZ150-3C-T-006	搭铁线 (II)	Cable, Grounding (II)		1	0.2	0.2
图 21		仪表总成	LB50QT-12			价格合计	
Draft 21		METER ASSY	F-21			Total	



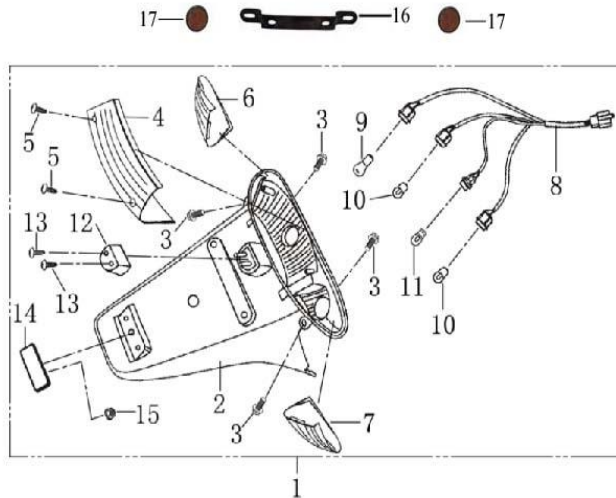
NO.	ICEBEAR Part NO.	Chinese Name	Description	Polish	QTY	Unit price	total price
1	PMZ150-3C-U-001	里程表			1	0.06	0.06
2	PMZ150-3C-U-002	仪表电缆	Wire Cable, Meter		1	0.06	0.06
3	PMZ150-3C-U-003	仪表灯泡12V3W	Bulb, Meter Light 12V3W		4	0.06	0.24
4	PMZ150-3C-U-004	仪表总成	Meter Assy		1	6.5	6.5
图 22		前照灯总成	LB50QT-12			价格合计	
Draft 22		HEADLIGHT ASSY	F-22			Total	



NO.	ICEBEAR Part NO.	Chinese Name	Description	Polish	QTY	Unit price	total price
1	PMZ150-3C-V-001	前照灯灯壳组件	Headlight Comp		1	0.06	0.06
2	PMZ150-3C-V-002	十字槽盘头自攻螺钉ST4.2×12	Tapping Screw, ST4.2×12		4	0.06	0.24
3	PMZ150-3C-V-003	前位置灯灯泡12V5W	Bulb, Position Light 12V 5W		2	0.06	0.12
4	PMZ150-3C-V-004	前照灯灯泡12V35/35W	Bulb, Headlight 12V35/35W		2	0.06	0.12
5	PMZ150-3C-V-005	前照灯防尘圈	Dustproof Rubber Cover,Headlight		2	0.06	0.12
6	PMZ150-3C-V-006	导线组件	Wire Cable		1	0.06	0.06
7	PMZ150-3C-V-007	前照灯总成	Headlight Assy		1	9	9
图 23		前转向灯	LB50QT-12			价格合计	
Draft 23		FRONT TURNING LIGHT	F-23			Total	

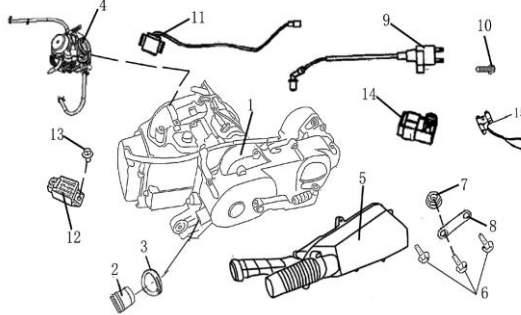


NO.	ICEBEAR Part NO.	Chinese Name	Description	Polish	QTY	Unit price	total price
1	PMZ150-3C-W-001	前右转向灯灯壳	R. Front Turning Light Assy		1	0.06	0.06
2	PMZ150-3C-W-002	前左转向灯灯壳	L. Front Turning Light Assy		1	0.06	0.06
3	PMZ150-3C-W-003	十字槽盘头自攻螺钉ST4.2×	Tapping Screw, ST4.2×12		6	0.06	0.36
4	PMZ150-3C-W-004	转向灯灯泡12V10W	Bulb, Front Turning Light 12V10W		2	0.06	0.12
5	PMZ150-3C-W-005	前转向灯灯线	Wire Cable, Front Turning Light		2	0.06	0.12
6	PMZ150-3C-W-006	前右转向灯	R. Front Turning Light Assy		1	1.4	1.4
7	PMZ150-3C-W-007	前左转向灯	L. Front Turning Light Assy		1	1.4	1.4
图 24		尾灯总成	LB50QT-12			价格合计	
Draft 24		TAILLIGHT ASSY	F-24			Total	

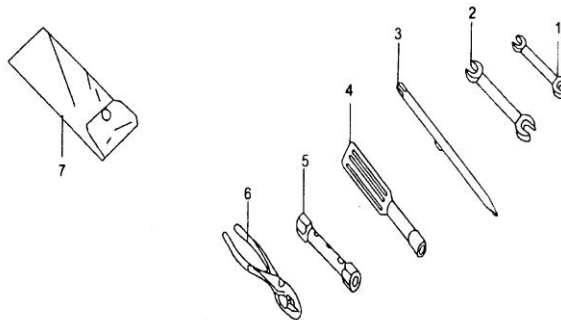


NO.	ICEBEAR Part NO.	Chinese Name	Description	Polish	QTY	Unit price	total price
1	PMZ150-3C-X-001	尾灯总成	Taillight Assy		1	5.36	5.36
2	PMZ150-3C-X-002	后挡泥板	Rear Fender		1	1.23	1.23
3	PMZ150-3C-X-003	六角法兰面螺栓M6×12	Flange Bolt, M6×12		4		
4	PMZ150-3C-X-004	尾灯罩	Lens, Taillight		1		
5	PMZ150-3C-X-005	十字槽盘头自攻螺钉ST4.2×	Tapping Screw, ST4.2×16		2		
6	PMZ150-3C-X-006	后左转向灯灯罩	Lens, L. Rear Turning Light		1		
7	PMZ150-3C-X-007	后右转向灯灯罩	Lens, R. Rear Turning Light		1		
8	PMZ150-3C-X-008	尾灯线组件	Wire Cable, Taillight		1		
9	PMZ150-3C-X-009	尾灯灯泡12V5W/21W	Bulb, Rear Light(12V/5w/21w)		1		
10	PMZ150-3C-X-010	后转向灯灯泡12V10W	Bulb, L. & R. Turning Light (12V,10w)		2		
11	PMZ150-3C-X-011	牌照灯灯泡12V5W	Bulb, Rear Registration Plate Light12V5W		1		
12	PMZ150-3C-X-012	牌照灯灯罩	Lens, Rear Registration Plate Light		1		
13	PMZ150-3C-X-013	十字槽盘头自攻螺钉ST4.2×	Tapping Screw, ST4.2×12		2		
14	PMZ150-3C-X-014	后反射器	Rear Retro Reflecting Device		1		
15	PMZ150-3C-X-015	六角法兰面锁紧螺母M5	Flange Nut, M5		1	0.06	0.06

16	PMZ150-3C-X-016	后牌照支架	Bracket,Taillight lens		1	0.45	0.45
17	PMZ150-3C-X-017	侧反射器			2	0.3	0.6
图 25		发动机/空滤器	LB50QT-12		价格合计		
Draft 25		ENGINE & AIR CLEANER	F-25		Total		

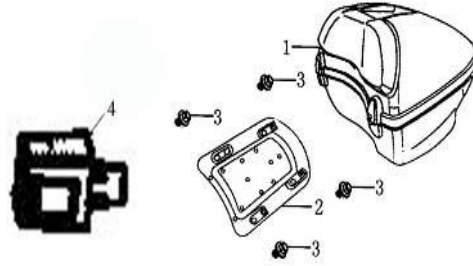


NO.	ICEBEAR Part NO.	Chinese Name	Description	Polish	QTY	Unit price	total price
1	PMZ150-3C-Y-001	112- 发动机	Engine		1	160	160
2	PMZ150-3C-Y-002	112- 吸风管	Tube		1	0.3	0.3
3	PMZ150-3C-Y-003	112- 吸风管卡箍	Ring Comp I ,Air Cleaner		1	0.1	0.1
4	PMZ150-3C-Y-004	112- 化油器总成	Carburetor Assy		1	14.97	14.97
5	PMZ150-3C-Y-005	112- 空气滤清器总成	Air Cleaner Assy		1	3.5	3.5
6	PMZ150-3C-Y-006	674-M6 六角法兰面螺栓M6×25	Bolt, M6×25		3	0.06	0.18
7	PMZ150-3C-Y-007	77.1- 六角法兰面螺母M6	Bolt, M6		1	0.06	0.06
8	PMZ150-3C-Y-008	112- 空滤器安装板	Fi×ing Connecting Plate		1	0.06	0.06
9	PMZ150-3C-Y-009	112- 点火线圈	Ignition Coil Assy		1	1.48	1.48
10	PMZ150-3C-Y-010	8-M6× 十字槽盘头螺钉M6×35	Screw, M6×35		1	0.06	0.06
11	PMZ150-3C-Y-011	112- 起动继电器	Starter Relay		1	1.16	1.16
12	PMZ150-3C-Y-012	112- 调压整流器	Rectifier		1	1.44	1.44
13	PMZ150-3C-Y-013	674-M6 六角法兰面螺栓M6×12	Bolt, M6×12		1	0.06	0.06
14	PMZ150-3C-Y-014	112- 点火控制器	Ignition Control		1	1.39	1.39
15	PMZ150-3C-Y-015	泄流电阻	Discharge Resistance		1		
图 26		随车工具	LB50QT-12		价格合计		
Draft 26		TOOLS ASSY	F-26		Total		



NO.	ICEBEAR Part NO.	Chinese Name	Description	Polish	QTY	Unit price	total price
1	PMZ150-3C-Z-001	呆扳手8×10	Double Ended Spanner 8-10		1	0.3	
2	PMZ150-3C-Z-002	呆扳手12×14	Double Ended Spanner 12-14		1	0.3	

3	PMZ150-3C-Z-003	双头螺丝刀	Double Ended Screw Driver		1	0.3	
4	PMZ150-3C-Z-004	螺丝刀把	Screw Driver Socket		1	0.3	
5	PMZ150-3C-Z-005	火花塞套筒	Spark Plug Socket		1	0.3	
6	PMZ150-3C-Z-006	鲤鱼钳	Carp Pincers		1	0.3	
7	PMZ150-3C-Z-007	工具袋组合	Tools Bag		1	0.9	0.9



NO.	Part NO.	Chinese Name	Description	Polish	QTY	Unit price	total price
1	PMZ150-3C-AA-001	尾箱	Tail Tank		1	12	12
2	PMZ150-3C-AA-002	尾箱支架	Bracket, Tail Tank		1	0.2	0.2
3	PMZ150-3C-AA-003	六角法兰面螺栓M6×16	Flange Bolt, M6×16		4	0.06	0.24
4	PMZ150-3C-AA-004	闪光继电器	Winker starting comp relay		1	2	2