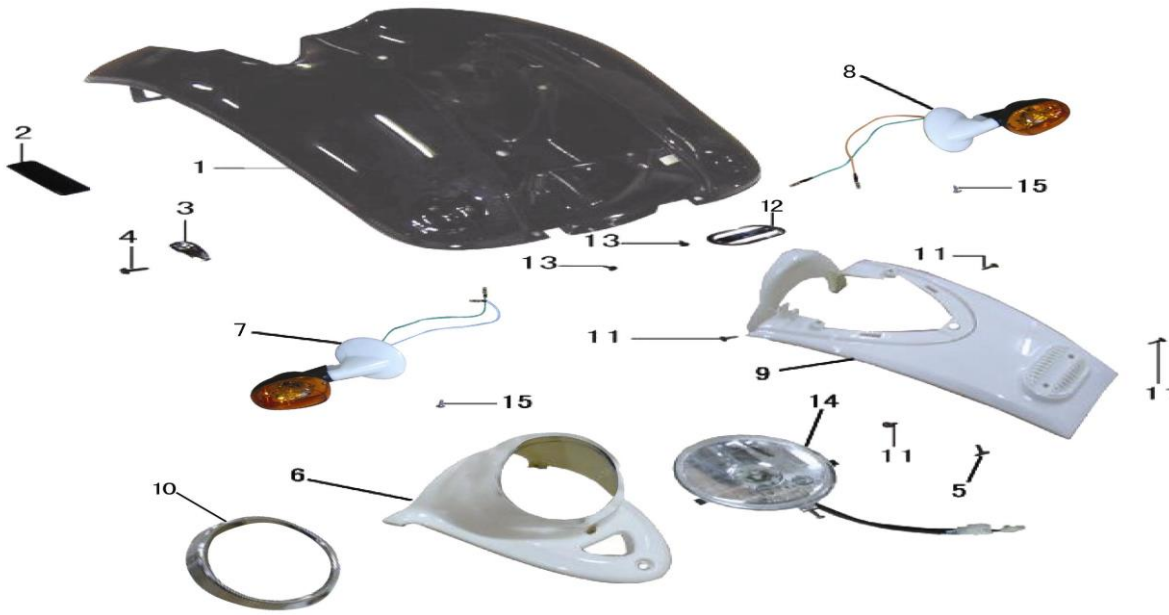


NO. PART NUMBER DESCRIPTION ENGLISH NAME QTY

一、前面板: FRONT COVER NO:01



NO	ICEBEAR PARTS NO.	Chinese name	Description	QTY
1	PMZ50-5-A-001	挡风板	Windscreen Plate	1
2	PMZ50-5-A-002	车架号码盖	Frame No. Cover	1
3	PMZ50-5-A-003	挂钩	Hook	1
4	PMZ50-5-A-004	六角法兰面螺栓M6×20	Hexagon bolt M6×20	1
5	PMZ50-5-A-005	十字小扁头螺钉M6×20	Bolt M6×20	1
6	PMZ50-5-A-006	前照灯罩	Cover, headlight	1
7	PMZ50-5-A-007	右装饰灯	Right decorating light	1
8	PMZ50-5-A-008	左装饰灯	Left decorating light	1
9	PMZ50-5-A-009	前面板	Front Cover	1
10	PMZ50-5-A-010	前照灯护边	Protecting ring of headlight	1
11	PMZ50-5-A-011	自攻螺钉ST4.8×16	Self-tapping screw ST4.8×16	1
12	PMZ50-5-A-012	前面板装饰块	Small plate, front cover	1
13	PMZ50-5-A-013	自攻螺钉ST4.2×12	Self-tapping screw ST4.2×12	1
14	PMZ50-5-A-014	前照灯(灯泡规格:12V 25W)	Headlight	1
15	PMZ50-5-A-015	自攻螺钉ST4.2×12	Self-tapping screw ST4.2×12	1

二方向操纵总成: HANDLEBAR ASS NO:03



NO	ICEBEAR PARTS NO.	Chinese name	Description	QTY
1	PMZ50-5-B-001	十字盘头螺钉M5×10	Screw M5×10	1
2	PMZ50-5-B-002	仪表罩	Speedometer cover	1
3	PMZ50-5-B-003	仪表	Speedometer	1
4	PMZ50-5-B-004	垫圈Φ5×Φ12	Washer Φ5×Φ12	1
5	PMZ50-5-B-005	方向把横管	Pipe, Handlebar	1
6	PMZ50-5-B-006	右转向灯	Right turn signal	1
7	PMZ50-5-B-007	右操纵开关	Control switch right side	1
8	PMZ50-5-B-008	左操纵开关	Control switch left side	1
9	PMZ50-5-B-009	右油门握把	Throttle handlebar grip	1
10	PMZ50-5-B-010	方向把座	Handlebar	1
11	PMZ50-5-B-011	左把手护套	Left grip	1
12	PMZ50-5-B-012	后视镜	mirror	1
13	PMZ50-5-B-013	六角法兰面螺栓M10×45	Hexagon bolt M10×45	1
14	PMZ50-5-B-014	六角法兰面自锁螺母M10	Hexagon nut M10	1
15	PMZ50-5-B-015	方向把上压块	Handlebar plate	1
16	PMZ50-5-B-016	内六角螺钉M6×35	Hexagon bolt M6×35	1

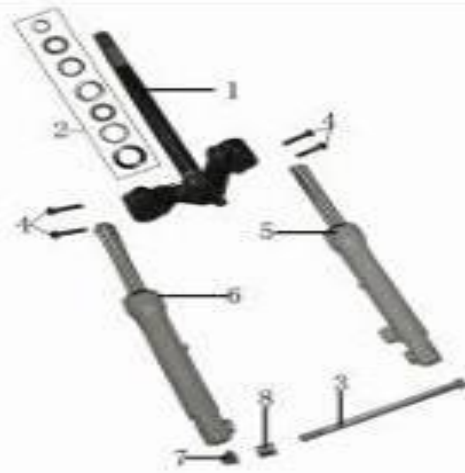
三、电器电缆组成: ELECTRIC APPLIANCE NO:05



NO	ICEBEAR PARTS NO.	Chinese name	Description	QTY
1	PMZ50-5-C-001	主电缆线	Wire assy	1
2	PMZ50-5-C-002	蓄电池	Battery	1
3	PMZ50-5-C-003	高压包	High voltage wire assy	1
4	PMZ50-5-C-004	点火器	CDI	1
5	PMZ50-5-C-005	继电器	Relay assy	1
6	PMZ50-5-C-006	点火器护套	CDI jacket	1
7	PMZ50-5-C-007	闪光器护套	Flasher jacket	1
8	PMZ50-5-C-008	闪光器	Flasher	1
9	PMZ50-5-C-009	保险丝15A	Fuse 15A	1
10	PMZ50-5-C-010	六角法兰面螺栓M6×12	Hexagon bolt M6×12	1

11	PMZ50-5-C-011	喇叭	Horn	1
12	PMZ50-5-C-012	喇叭支架	Horn bracket	1
13	PMZ50-5-C-013	整流稳压器	Rectifier assy	1

四、前叉总成: FORK ASSY NO:06



NO	ICEBEAR PARTS NO.	Chinese name	Description	QTY
1	PMZ50-5-D-001	下联板	Steering column	1
2	PMZ50-5-D-002	全套钢碗	Steel bowl assy	1
3	PMZ50-5-D-003	前轮轴	Axle wheel	1
4	PMZ50-5-D-004	六角法兰面螺栓 M 8×40	Bolt M 8×40	1
5	PMZ50-5-D-005	前左减震器	Front absorber(left)	1
6	PMZ50-5-D-006	前右减震器	Front absorber(right)	1
7	PMZ50-5-D-007	六角法兰面自锁螺母M12	Hexagon bolt M12	1
8	PMZ50-5-D-008	衬套	Bushing	1

五、前轮总成: FRONT WHEEL ASSY NO:07



NO	ICEBEAR PARTS NO.	Chinese name	Description	QTY
1	PMZ50-5-E-001	轮胎	Tyre	1
2	PMZ50-5-E-002	前钢圈	Front wheel rim	1
3	PMZ50-5-E-003	里程表传动组合	Transmission assy,odometer	1

4	PMZ50-5-E-004	气门嘴	Valve	1
5	PMZ50-5-E-005	刹车盘	Brake disk	1
6	PMZ50-5-E-006	刹车盘专用螺钉	Bolt,brake pad	1
7	PMZ50-5-E-007	前制动器总成	Brake assy	1
7-1	PMZ50-5-E-008	碟刹上泵	Master cylinder	1
7-2	PMZ50-5-E-009	碟刹手柄	brake lever	1
7-3	PMZ50-5-E-010	碟刹油管	Brake Line	1
7-4	PMZ50-5-E-011	碟刹下泵	Brake Caliper	1
7-5	PMZ50-5-E-012	摩擦片	Brake Pad	1

六、操纵线： CABLE NO:08



NO	ICEBEAR PARTS NO.	Chinese name	Description	QTY
1	PMZ50-5-F-001	后刹线	Rear brake cable	1
2	PMZ50-5-F-002	里程表线	Speedometer cable	1
3	PMZ50-5-F-003	油门线	Throttle cable	1

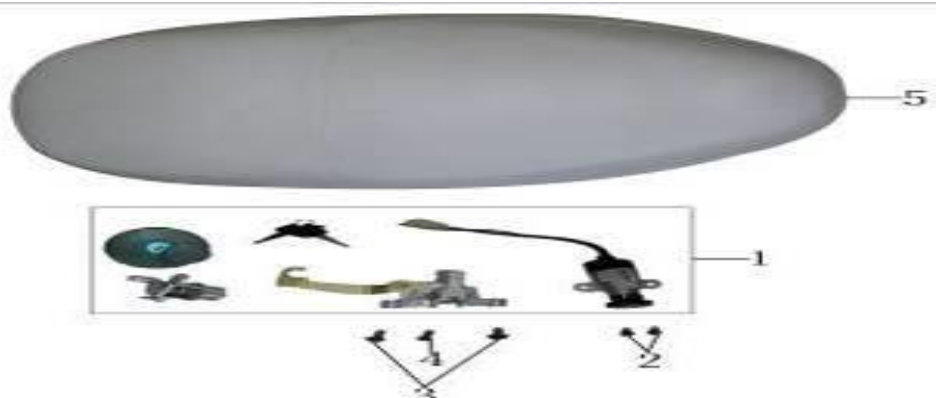
七、车架部件： FRAME PART NO:09



NO	ICEBEAR PARTS NO.	Chinese name	Description	QTY
1	PMZ50-5-G-001	车架	Frame assy	1

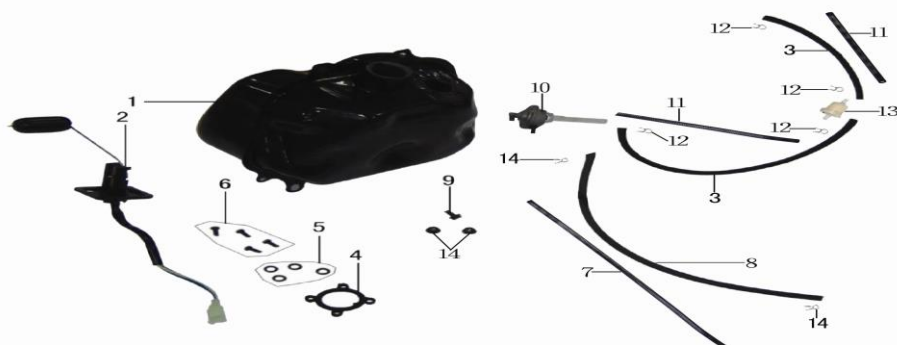
2	PMZ50-5-G-002	吊架固定轴M10×205	Shaft M10×205	1
3	PMZ50-5-G-003	吊架缓冲块	Buffer of hanger	1
4	PMZ50-5-G-004	吊架	Hanger	1
5	PMZ50-5-G-005	发动机吊轴M10×195	Shaft M10×195	1
6	PMZ50-5-G-006	六角法兰面自锁螺母M10	Locknut M10	1
7	PMZ50-5-G-007	侧支架回位拉簧	Spring of side stand	1
8	PMZ50-5-G-008	侧支架固定螺栓	Bolt, side stand	1
9	PMZ50-5-G-009	侧支架	Side stand	1

八、坐垫及套锁: SEAT ASSY LOCK NO:10



NO	ICEBEAR PARTS NO.	Chinese name	Description	QTY
1	PMZ50-5-H-001	套锁总成	lock	1
2	PMZ50-5-H-002	十字盘头螺钉M6×16	Bolt M6×16	1
3	PMZ50-5-H-003	六角法兰面螺栓M6×12	Hexagon bolt M6×12	1
4	PMZ50-5-H-004	十字盘头螺钉M6×12	Bolt M6×12	1
5	PMZ50-5-H-005	坐垫	Seat	1

九、油箱总成: FUEL BOX NO:11



NO	ICEBEAR PARTS NO.	Chinese name	Description	QTY
1	PMZ50-5-I-001	油箱	Fuel tank	1
2	PMZ50-5-I-002	汽油传感器	Fuel sensor unit	1
3	PMZ50-5-I-003	油管Φ4.5×Φ8	Oil pipeΦ4.5×Φ8	1
4	PMZ50-5-I-004	传感器压垫	Plate fuel sensor unit	1
5	PMZ50-5-I-005	垫片Φ5×Φ12	WasherΦ5×12	1
6	PMZ50-5-I-006	十字盘头螺钉M5×12	Bolt M5×12	1

7	PMZ50-5-I-007	负压管弹簧	Spring cover, hose	1
8	PMZ50-5-I-008	负压管Φ4×Φ8	Gas hoseΦ4×Φ8	1
9	PMZ50-5-I-009	六角法兰面螺栓M6×12	Hexagon bolt M6×12	1
10	PMZ50-5-I-010	燃油开关	Fuel petcock	1
11	PMZ50-5-I-011	油管弹簧	Spring cover	1
12	PMZ50-5-I-012	油管卡簧Φ8	Clip springΦ8	1
13	PMZ50-5-I-013	汽油滤清器	Oil filter	1
14	PMZ50-5-I-014	负压管卡簧Φ6	Clip springΦ6	1

十、前挡泥板、车架挡泥板 FENDER OF FRONT/REAR WHEEL NO:13



NO	ICEBEAR PARTS NO.	Chinese name	Description	QTY
1	PMZ50-5-J-001	前挡泥板前部	Front part, front fender	1
2	PMZ50-5-J-002	十字盘头螺钉M6×12	Bolt M6×12	1
3	PMZ50-5-J-003	自攻螺钉ST4.8×16	Self-tapping screw ST4.8×16	1
4	PMZ50-5-J-004	前挡泥板后部	Rear part, front fender	1
5	PMZ50-5-J-005	夹片4.2	Clip 4.2	1
6	PMZ50-5-J-006	六角法兰面螺栓M6×16	Hexagon bolt M6×16	1
7	PMZ50-5-J-007	车架挡泥板	Frame fender	1
8	PMZ50-5-J-008	自攻螺钉ST4.8×12	Self-tapping screw ST4.8×12	1
9	PMZ50-5-J-009	前挡泥板装饰条	Front wheel fender plate	1
10	PMZ50-5-J-010	侧反射器	Rear side reflector	1
11	PMZ50-5-J-011	六角法兰面螺母M5	Hexagon nut M5	1
12	PMZ50-5-J-012	挡泥板支架	Bracket of fender	1
13	PMZ50-5-J-013	六角法兰面螺栓M6×12	Hexagon bolt M6×12	1

十一、前左右装饰板: PROTECTING NO:14



NO	ICEBEAR PARTS NO.	Chinese name	Description	QTY
1	PMZ50-5-K-001	右装饰板	Right protecting plate	1
2	PMZ50-5-K-002	左装饰板	Left protecting plate	1
3	PMZ50-5-K-003	内密盖	Inner plate	1
4	PMZ50-5-K-004	夹片4.2	Clip 4.2	1
5	PMZ50-5-K-005	自攻螺钉ST4.2×16	Self-tapping screw ST4.2×16	1
6	PMZ50-5-K-006	自攻螺钉ST4.8×12	Self-tapping screw ST4.8×12	1
7	PMZ50-5-K-007	自攻螺钉ST4.8×16	Self-tapping screw ST4.8×16	1
8	PMZ50-5-K-008	右转向灯	Right turn signal	1
9	PMZ50-5-K-009	左转向灯	Left turn signal	1
10	PMZ50-5-K-010	右转向灯灯座	Holder.R. Rear Turning Light Assy	1
11	PMZ50-5-K-011	左转向灯灯座	Holder, L. Rear Turning Light Assy	1
12	PMZ50-5-K-012	置物箱前围	Front shroud	1
13	PMZ50-5-K-013	六角法兰面螺母M6	Hexagon nut M6	1
14	PMZ50-5-K-014	十字盘头螺钉M6×70	Bolt M6×70	1
15	PMZ50-5-K-015	自攻螺钉ST4.8×12	Self-tapping screw ST4.8×12	1

十二、置物箱、载物架: LUGGAGE.REAR RACK NO:16



NO	ICEBEAR PARTS NO.	Chinese name	Description	QTY
1	PMZ50-5-L-001	载物架	Rear rack	1
2	PMZ50-5-L-002	六角法兰面螺栓M8×50	Hexagon bolt M6×20	1
3	PMZ50-5-L-003	自攻螺钉ST4.2×16	Self-tapping screw ST4.2×16	1
4	PMZ50-5-L-004	六角法兰面螺栓M8×16	Hexagon bolt M8×16	1
5	PMZ50-5-L-005	后装饰板支架	Bracket, rear plate	1
6	PMZ50-5-L-006	十字大扁头M6×12	Bolt M6×12	1
7	PMZ50-5-L-007	六角法兰面螺栓M6×12	Hexagon bolt M6×12	1
8	PMZ50-5-L-008	置物箱	Luggage box assy	1
9	PMZ50-5-L-009	置物箱盖	Cover for luggage box	1
10	PMZ50-5-L-010	六角法兰面螺栓M6×20	Hexagon bolt M6×20	1
11	PMZ50-5-L-011	夹片4.2	Clip 4.2	1
12	PMZ50-5-L-012	自攻螺钉ST4.8×16	Self-tapping screw ST4.8×16	1

十三、后装饰板： REAR PROTECTING NO:17



NO	ICEBEAR PARTS NO.	Chinese name	Description	QTY
1	PMZ50-5-M-001	后反射器	Rear reflector	1
2	PMZ50-5-M-002	六角头螺母M5	Hexagon nut M5	1
3	PMZ50-5-M-003	后挡泥板	Rear fender	1
4	PMZ50-5-M-004	自攻螺钉ST4.8×16	Self-tapping screw ST4.8×16	1
5	PMZ50-5-M-005	后尾灯	Tail light assy	1
6	PMZ50-5-M-006	夹片4.2	Clip 4.2	1
7	PMZ50-5-M-007	六角法兰面螺母M6	Hexagon nut M6	1
8	PMZ50-5-M-008	坐垫锁套	Seat lock cover	1
9	PMZ50-5-M-009	后牌照支架	Rear license bracket	1
10	PMZ50-5-M-010	自攻螺钉ST4.2×12	Self-tapping screw ST4.2×12	1
11	PMZ50-5-M-011	后装饰板	Rear protecting plate	1

十四、脚踏板： FOOT BOARD NO:18



NO	ICEBEAR PARTS NO.	Chinese name	Description	QTY
1	PMZ50-5-N-001	六角法兰面螺栓M6×20	Hexagon bolt M6×20	1
2	PMZ50-5-N-002	自攻螺钉ST4.8×16	Self-tapping screw ST4.8×16	1
3	PMZ50-5-N-003	脚踏底板	Foot board	1
4	PMZ50-5-N-004	电瓶盖	Battery	1
5	PMZ50-5-N-005	夹片4.2	Clip 4.2	1

十五、空滤器总成: AIR FILTER ASSY NO: 19



NO	ICEBEAR PARTS NO.	Chinese name	Description	QTY
1	PMZ50-5-O-001	空滤器总成	Air filter	1
2	PMZ50-5-O-002	海绵滤芯	Sponge filter element	1
3	PMZ50-5-O-003	六角法兰面螺栓M6×25	Hexagon screw M6×25	1

十六、减震器总成: ABSORBER ASSY NO: 20



NO	ICEBEAR PARTS NO.	Chinese name	Description	QTY
1	PMZ50-5-P-001	后减震器	Rear absorber	1
2	PMZ50-5-P-002	六角法兰面螺栓M8×35	Hexagon bolt M8×35	1

十七、消声器总成: MUFFLER ASSY NO: 21



NO	ICEBEAR PARTS NO.	Chinese name	Description	QTY
1	PMZ50-5-Q-001	消声器	Muffler	1
2	PMZ50-5-Q-002	消声器垫圈	Washer, muffler	1
3	PMZ50-5-Q-003	六角法兰面螺栓M8×35	Hexagon bolt M8×35	1
4	PMZ50-5-Q-004	六角法兰面螺母M6	Hexagon nut M6	1

十八、后轮总成 NO:22



NO	ICEBEAR PARTS NO.	Chinese name	Description	QTY
1	PMZ50-5-R-001	轮胎	Tire	1
2	PMZ50-5-R-002	后轮圈	Rim	1
3	PMZ50-5-R-003	冲气嘴	Valve stem	1
4	PMZ50-5-R-004	蹄块Φ110	Brake shoeΦ110	1
5	PMZ50-5-R-005	六角法兰面自锁螺母M15	Nut M15	1
6	PMZ50-5-R-006	六角法兰面螺栓M6×32	Hexagon bolt M6×12	1
7	PMZ50-5-R-007	摇臂轴	Rocker shaft	1
8	PMZ50-5-R-008	摇臂回位弹簧	Spring, rocker	1
9	PMZ50-5-R-009	刹车摇臂	Brake rocker	1
10	PMZ50-5-R-010	后轮泥板	Rear wheel fender	1

十九、主支撑总成: CENTER STAND NO: 23

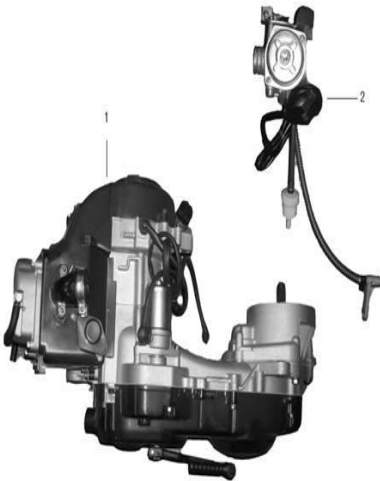


NO	ICEBEAR PARTS NO.	Chinese name	Description	QTY
1	PMZ50-5-S-001	主支撑	Center stand	1
2	PMZ50-5-S-002	拉伸弹簧	Spring 84mm	1
3	PMZ50-5-S-003	主支撑缓冲块Φ8×33	Buffer	1
4	PMZ50-5-S-004	六角法兰面螺栓M6×32	Hexagon bolt M6×32	1
5	PMZ50-5-S-005	六角法兰面自锁螺母M6	Nut M6	1
6	PMZ50-5-S-006	六角法兰面螺栓M8×55	Hexagon bolt M8×55	1
7	PMZ50-5-S-007	衬套Φ8.5×15×18	BushingΦ8.5×15×18	1
8	PMZ50-5-S-008	六角法兰面自锁螺母M8	Nut M8	1

二十、二次补气总成 (twice fill air system) NO: 24



NO	ICEBEAR PARTS NO.	Chinese name	Description	QTY
1	PMZ50-5-T-001	补气阀	Air refill valve	1
2	PMZ50-5-T-002	负压管卡扣	Clamper	1
3	PMZ50-5-T-003	空气管	Tube	1
4	PMZ50-5-T-004	耐高温管	Tube	1
5	PMZ50-5-T-005	补气阀支架	Air refill valve bracket	1
6	PMZ50-5-T-006	大卡扣	Clamper	1
7	PMZ50-5-T-007	六角法兰面螺母M6	Hexagon nut M6	1
8	PMZ50-5-T-008	负压管	Gas hose	1
9	PMZ50-5-T-009	负压管弹簧套	Spring cover	1
10	PMZ50-5-T-010	六角法兰面螺栓M6×20	Hexagon bolt M6×20	1



NO	ICEBEAR PARTS NO.	Chinese name	Description	QTY
1	PMZ50-5-U-001	Engine	发动机	1
2	PMZ50-5-U-002	CARBURETOR	化油器	1

