



序号 SR NO.	件号Part No.	名称Description	名称Description	数量Qty
1	PST50-2-A-001	Front tire	前轮胎	1
2	PST50-2-A-002	Front rim	前轮毂	1
3	PST50-2-A-003	Steering stem	下联板	1
4	PST50-2-A-004	Front disc brake	前碟刹	1
5	PST50-2-A-005	Front Shock LH, RH	前左右减震	2
6	PST50-2-A-006	Front brake disc	前制动盘	1
7	PST50-2-A-007	Speed sensor	转速器	1
8	PST50-2-A-008	Steel bowl	钢碗	8
9	PST50-2-A-009	Front disc brake clip	前碟刹线夹	1
10	PST50-2-A-010	Tubeless Valve	气门嘴	2
11	PST50-2-A-011	Front axle	前轮轴	1
12	PST50-2-A-012	Front wheel bushing	前轮衬套	1
13	PST50-2-A-013	Self lock screw	自锁螺母	1



序号 SR NO.	件号Part No.	名称Description	名称Description	数量Qty
1	PST50-2-B-001	Left panel	左装饰板	1
2	PST50-2-B-002	Right panel	右装饰板	1
3	PST50-2-B-003	Tail box guard	尾灯护罩	1
4	PST50-2-B-004	Fuel tank pallet	油箱托板	1
5	PST50-2-B-005	Rear fender	后泥板 (PP)	1
6	PST50-2-B-006	License plate light	牌照灯	1
7	PST50-2-B-007	Tail lamp wire	后尾灯线	1

8	PST50-2-B-008	Tail lamp	后尾灯	1
9	PST50-2-B-009	Rear mud plate bracket fixing plate	后泥板支架固定板	1
10	PST50-2-B-010	Rear left turning light	后左转向灯	1
11	PST50-2-B-011	Rear right turning light	后右转向灯	1
12	PST50-2-B-012	Rear reflector plate	后反射镜片	1
13	PST50-2-B-013	Rear bracket of rear fender	后泥板支架	1
14	PST50-2-B-014	Rear edge reflector plate	后边缘反射器	2



序号 SR NO.	件号Part No.	名称Description	名称Description	数量Qty
1	PST50-2-C-001	Front left guard	前左护板	1
2	PST50-2-C-002	Front right guard	前右护板	1
3	PST50-2-C-003	Front wheel fender	前轮泥板	1



序号 SR NO.	件号Part No.	名称Description	名称Description	数量Qty
1	PST50-2-D-001	Front inner mud guard	前内挡泥板	1
2	PST50-2-D-002	Luggage front cover	杂物箱前罩	1
3	PST50-2-D-003	Frame bottom plate	车架底板	1



序号 SR NO.	件号Part No.	名称Description	名称Description	数量Qty
1	PST50-2-E-001	Tool box	工具箱	1
2	PST50-2-E-002	Foot pedal	脚踏板	1
3	PST50-2-E-003	Tool box cover	工具箱内盒	1
4	PST50-2-E-004	Luggage cover	杂物箱内盖	1
5	PST50-2-E-005	Rear footpeg	后脚踏	2
6	PST50-2-E-006	Cover, Chassis No.	号码盖	1
7	PST50-2-E-007	Hook up	挂钩	1
8	PST50-2-E-008	Drinking glass	水杯	1
9	PST50-2-E-009	Bolt hole rubber plug	螺栓孔橡胶塞	4

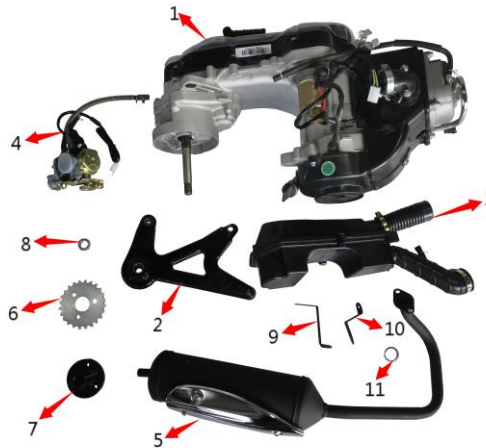


序号 SR NO.	件号Part No.	名称Description	名称Description	数量Qty
1	PST50-2-F-001	Luggage	杂物箱	1
2	PST50-2-F-002	Seat	坐垫	1
3	PST50-2-F-003	Fuel tank	油箱	1
4	PST50-2-F-004	Main wire	导线	1
5	PST50-2-F-005	Battery	电瓶	1
6	PST50-2-F-006	Fuel level sensors	油位传感器	1
7	PST50-2-F-007	Tunsignal relay assy	闪光器	1
8	PST50-2-F-008	Horn	喇叭	1
9	PST50-2-F-009	Regulator	稳压器	1
10	PST50-2-F-010	CDI	点火器	1
11	PST50-2-F-011	Starter relay	启动继电器	1

12	PST50-2-F-012	Ignition coil	高压泵	1
13	PST50-2-F-013	Fuel tank switch	油箱开关	1
14	PST50-2-F-014	Fuel tank cover	油箱盖	1
15	PST50-2-F-015	Oil seal of Fuel level sensors	油位传感器油封	1
16	PST50-2-F-016	Fixed ring of Fuel level sensors	油位传感器固定圈	1



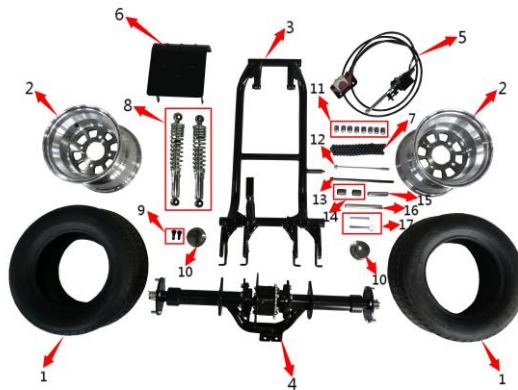
序号 SR NO.	件号Part No.	名称Description	名称Description	数量Qty
1	PST50-2-G-001	Rear mirror LH	左后视镜	1
2	PST50-2-G-002	Rear mirror RH	右后视镜	1
3	PST50-2-G-003	Speedometer	仪表	1
4	PST50-2-G-004	Handlebar	方向把	1
5	PST50-2-G-005	Speedometer bracket	仪表支架	1
6	PST50-2-G-006	Left hand grip	左胶套	1
7	PST50-2-G-007	Throttle grip	油门胶套	1
8	PST50-2-G-008	Left switch	左开关	1
9	PST50-2-G-009	Right switch	右开关	1
10	PST50-2-G-010	Key set	套锁	1
11	PST50-2-G-011	Handlebar small cover	方向把小盖	1
12	PST50-2-G-012	Handlebar button	方向把小扣	1
13	PST50-2-G-013	Seat cushion pull	坐垫拉线	1
14	PST50-2-G-014	Throttle cable	油门线	1
15	PST50-2-G-015	Panel bracket	面板支架	1
16	PST50-2-G-016	Fuel tank pallet	油箱托板	1
17	PST50-2-G-017	Handlebar small cover connector	方向把小盖连接件	1



序号 SR NO.	件号Part No.	名称Description	名称Description	数量Qty
1	PST50-2-H-001	Engine	发动机	1
2	PST50-2-H-002	Connecting plate	三角连接板	1
3	PST50-2-H-003	Engine	空滤	1
4	PST50-2-H-004	Air filter	化油器	1
5	PST50-2-H-005	Muffler	消音器	1
6	PST50-2-H-006	Front sprocket	前链轮	1
7	PST50-2-H-007	Sprocket holder	链轮座	1
8	PST50-2-H-008	Connecting plate bushing	三角连接板衬套	1
9	PST50-2-H-009	Air filter bracket long	空滤支架长	1
10	PST50-2-H-010	Air filter bracket short	空滤支架短	1
11	PST50-2-H-011	Muffler washer	消音器垫圈	1



序号 SR NO.	件号Part No.	名称Description	名称Description	数量Qty
1	PST50-2-I-001	Front wall	前围	1
2	PST50-2-I-002	Front panel	前面板	1
3	PST50-2-I-003	Front headlight	前大灯	1
4	PST50-2-I-004	Headlight wire	大灯线	1
5	PST50-2-I-005	Front turning light L, R	前左右转向灯	2
6	PST50-2-I-006	Tool box front cover	工具箱前罩	1
7	PST50-2-I-007	Front turning light wire	前转向灯线	2
8	PST50-2-I-008	Panel decoration	面板装饰件	1
9	PST50-2-I-009	Clip	线夹	2



序号 SR NO.	件号Part No.	名称Description	名称Description	数量Qty
1	PST50-2-J-001	Rear tire	后轮胎	2
2	PST50-2-J-002	Rear rim	后轮毂	2
3	PST50-2-J-003	Differtinal	差速器	1
4	PST50-2-J-004	Swing arm	后平叉	1
5	PST50-2-J-005	Rear brake	后碟刹	1
6	PST50-2-J-006	Chain cover	上链罩	1
7	PST50-2-J-007	Chain	链条	1
8	PST50-2-J-008	Rear shock	后减	2
9	PST50-2-J-009	Tubeless Valve	气门嘴	2
10	PST50-2-J-010	Chrome decorative cover	镀铬装饰盖	2
11	PST50-2-J-011	Nut	螺母	8
12	PST50-2-J-012	Engine axle	发动机轴	1
13	PST50-2-J-013	Swing arm axle	后平叉轴	1
14	PST50-2-J-014	Swing arm buffer bushing	后平叉缓冲衬套	2
15	PST50-2-J-015	Engine supporting tube	发动机撑管	1
16	PST50-2-J-016	Swing arm supporting tube	后平叉撑管	1
17	PST50-2-J-017	Chain adjuster	调链器	2



序号 SR NO.	件号Part No.	名称Description	名称Description	数量Qty
1	PST50-2-K-001	Tail box	尾箱	1
2	PST50-2-K-002	Rear armrest	后扶手	2
3	PST50-2-K-003	Tail box bracket	尾箱支架	1
4	PST50-2-K-004	Tail box bottom plate	尾箱底板	1
5	PST50-2-K-005	Tail box cushion	尾箱垫皮	1



序号 SR NO.	件号Part No.	名称Description	名称Description	数量Qty
1	PST50-2-M-001	Frame	车架	1



序号 SR NO.	件号Part No.	名称Description	名称Description	数量Qty
1	PST50-2-N-001	Rear wheel fender	后轮泥板（喷漆）	2
2	PST50-2-N-002	Rear wheel fender bracket	后轮泥板支架	2
3	PST50-2-N-003	Rear wheel fender bracket upper	后轮泥板支架压板	2