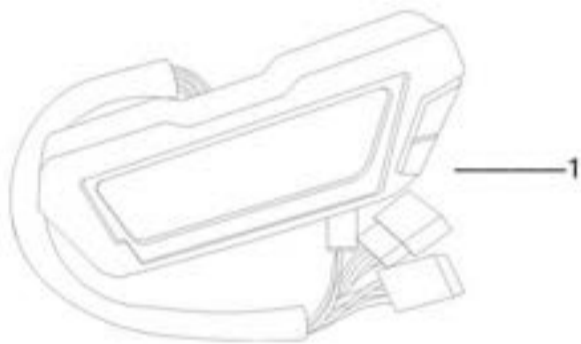
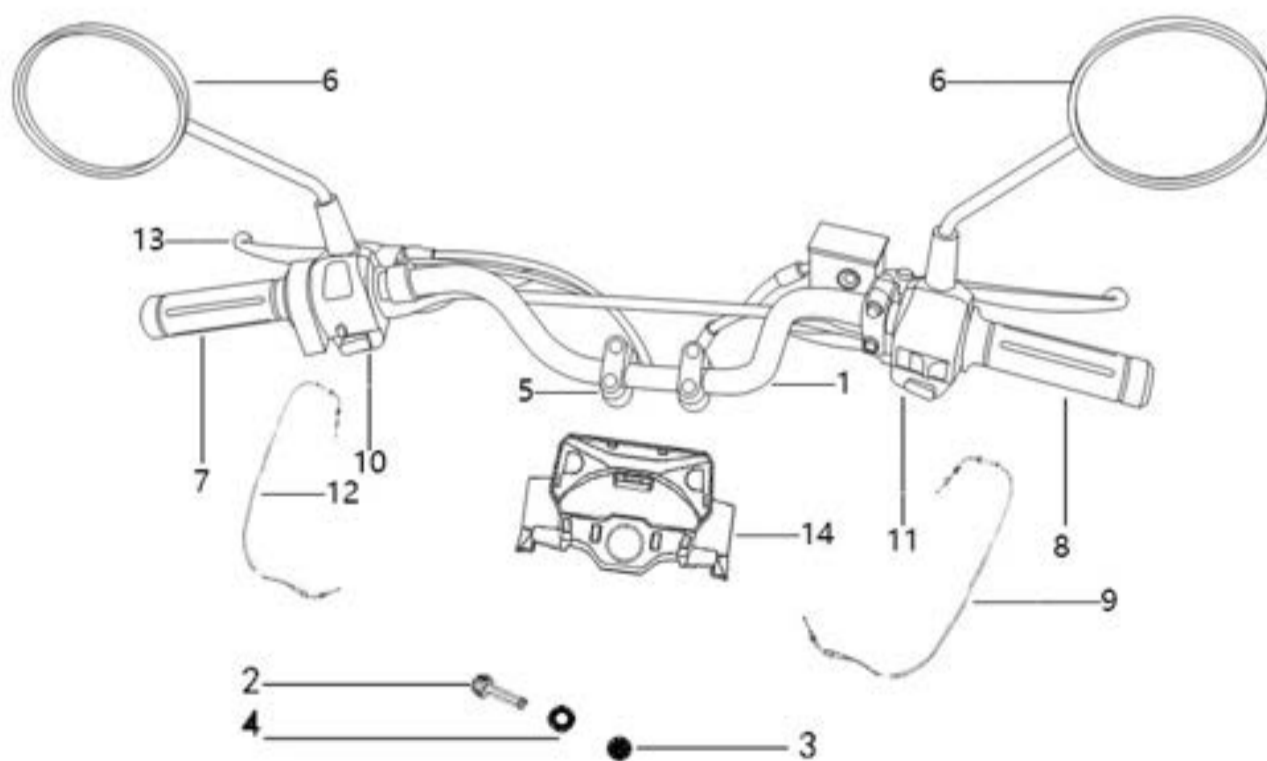


Part No.	Description	Qty per Vehicel
PMZ50-Z1-A-001	Headlights	1
PMZ50-Z1-A-002	Headlight cover	1

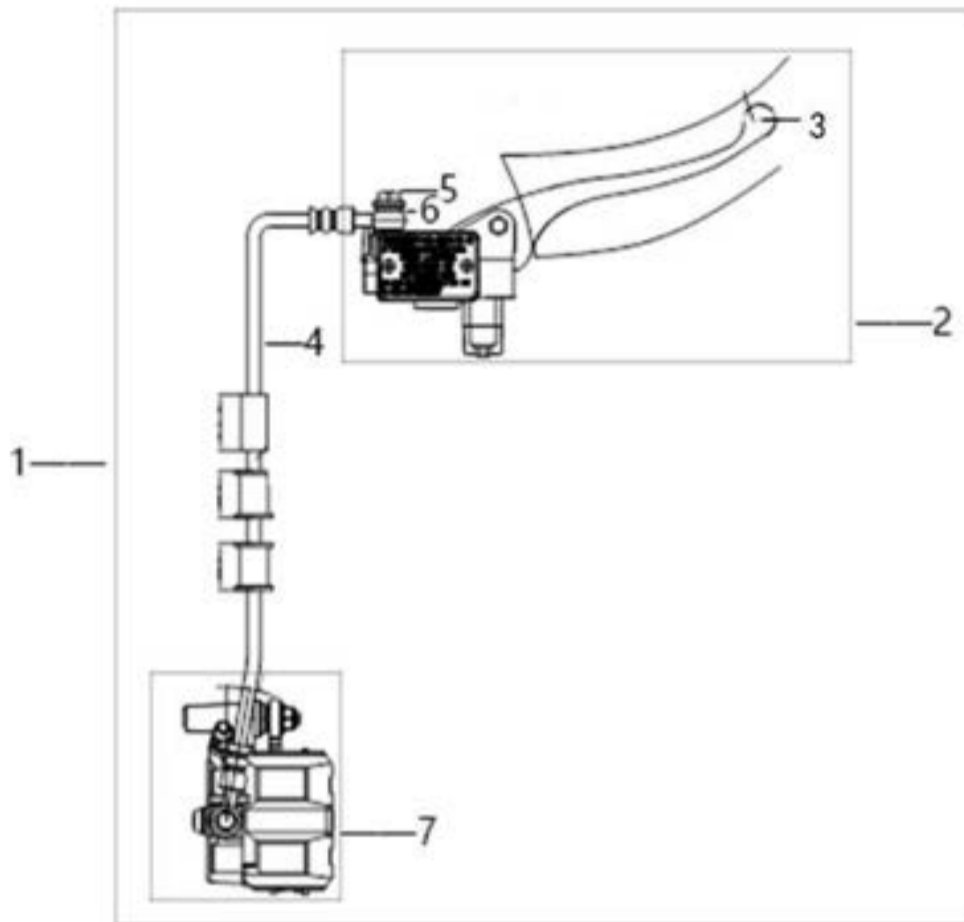


Part No.	Description	Qty per Vehicel
PMZ50-Z1-B-001	Instrument	1

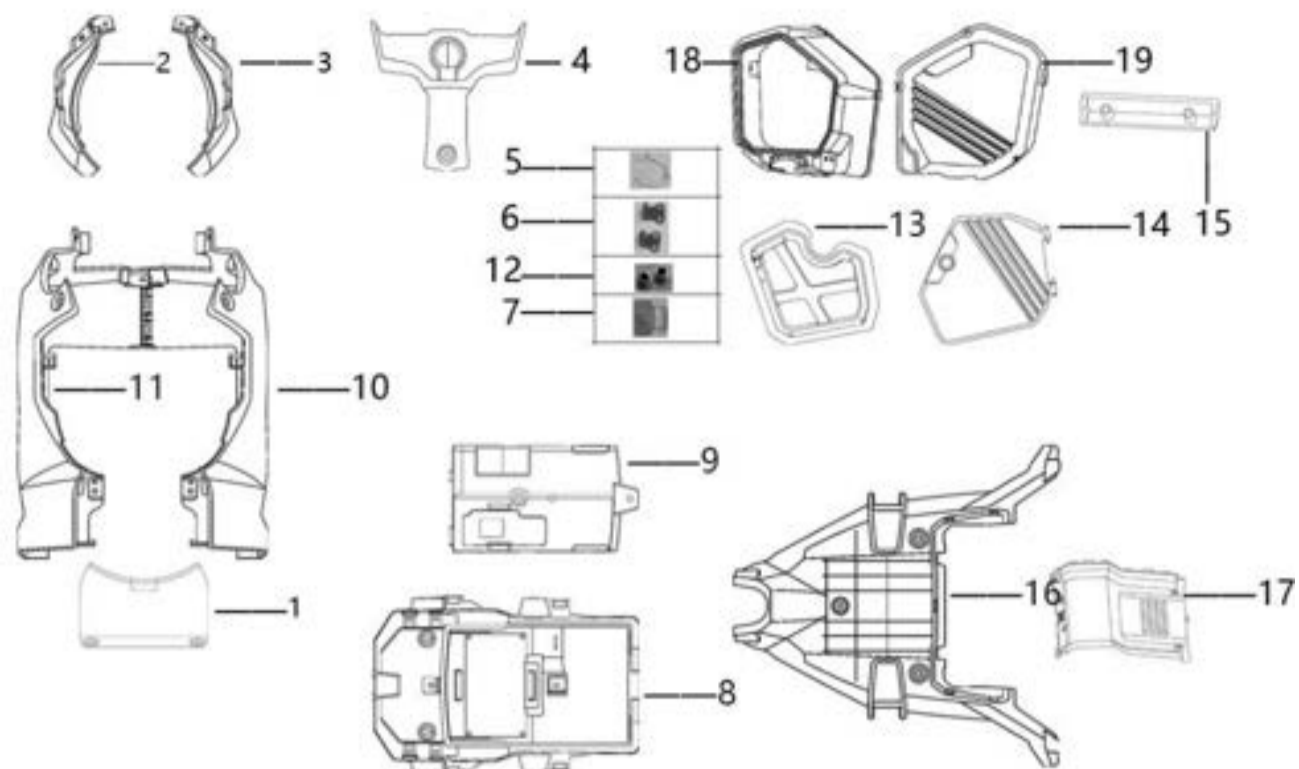


Part No.	Description	Qty per Vehicel
PMZ50-Z1-C-001	Direction handle	1
PMZ50-Z1-C-002	BOLT FLANGE 10*50	1
PMZ50-Z1-C-003	NUT U 10MM	1
PMZ50-Z1-C-004	COLLAR HANDLE SET	1
PMZ50-Z1-C-005	Direction handle fixing seat	1

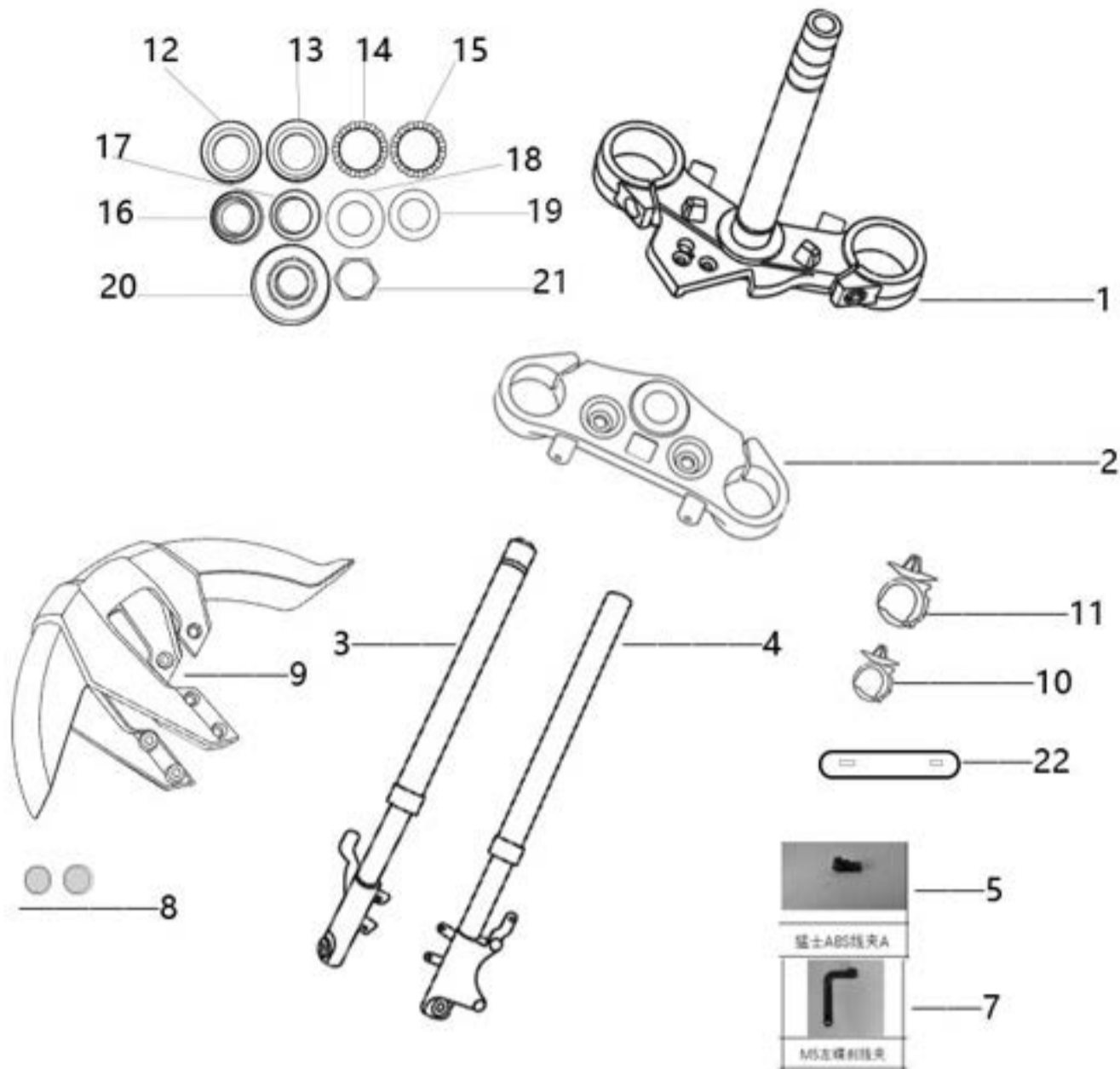
PMZ50-Z1-C-006	REAR VIEW MIRROR	1SET
PMZ50-Z1-C-007	THE SET OF LEFT HAND BLACK	1
PMZ50-Z1-C-008	COME ON HAND TO SET BLACK	1
PMZ50-Z1-C-009	Throttle line	1
PMZ50-Z1-C-010	SW ASSY LH HNDL	1
PMZ50-Z1-C-011	SW ASSY RH HNDL	1
PMZ50-Z1-C-012	Rear brake line	1
PMZ50-Z1-C-013	Left brake handle	1
PMZ50-Z1-C-014	Instrument lower cover	1



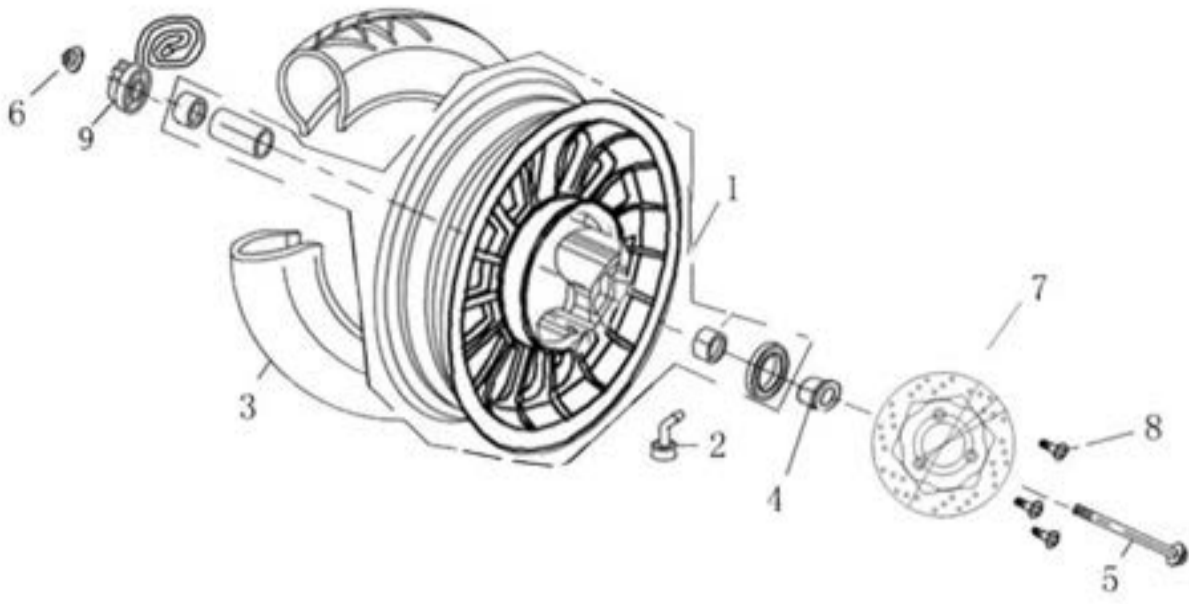
Part No.	Description	Qty per Vehicel
PMZ50-Z1-D-001	SUB HARNESS SET FR M/C COMP	1
PMZ50-Z1-D-002	SUB HARNESS SET FR M/C	1
PMZ50-Z1-D-003	HANDLE R	1
PMZ50-Z1-D-003-1	SHUT-OFF BLOCK CONSTITUTE FR	1
PMZ50-Z1-D-004	HOSE ASSY FR BRK	1
PMZ50-Z1-D-005	OIL BOLT 10*22	2
PMZ50-Z1-D-006	WASHER OIL BOLT	4
PMZ50-Z1-D-007	CALIPER ASSY FR	1
PMZ50-Z1-D-007-1	Front disc brake pump brake pad	1SET



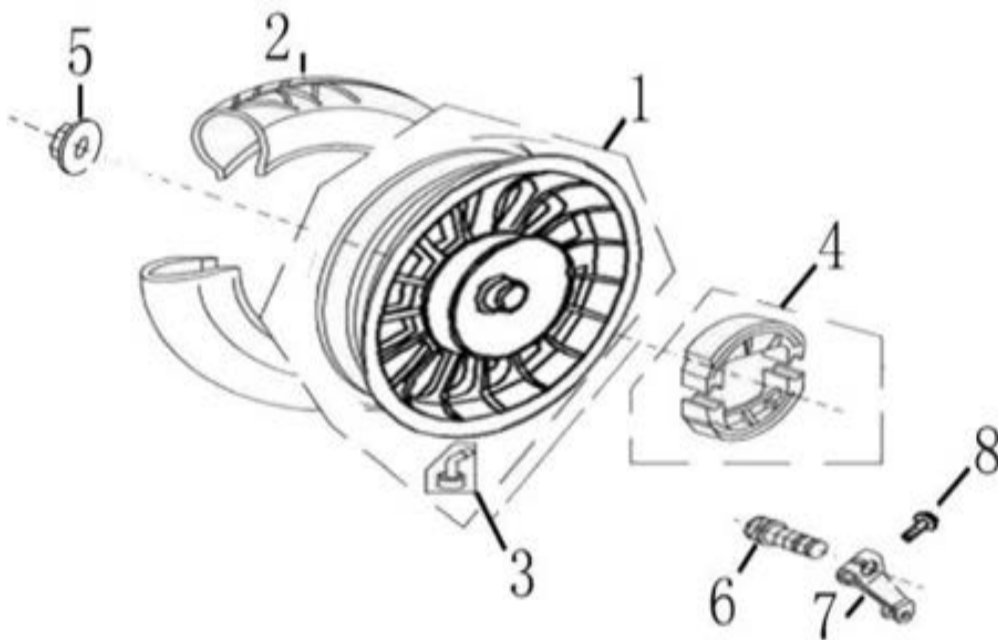
Part No.	Description	Qty per Vehicel
PMZ50-Z1-E-001	Headlight cover connecting strip	1
PMZ50-Z1-E-002	Headlamp cover left decorative sheet	1
PMZ50-Z1-E-003	Headlamp cover right decorative sheet	1
PMZ50-Z1-E-004	Electric door lock cover	1
PMZ50-Z1-E-005	Toolbox fixing front bracket	1
PMZ50-Z1-E-006	Toolbox fixed rear bracket	2
PMZ50-Z1-E-007	Toolbox cover fixing bracket	1
PMZ50-Z1-E-008	cell box	1
PMZ50-Z1-E-009	Battery box cover	1
PMZ50-Z1-E-010	Headlight right guard	1
PMZ50-Z1-E-011	Headlight left guard	1
PMZ50-Z1-E-012	Tool box fixing rear bracket bushing	2
PMZ50-Z1-E-013	Toolbox cover lining	1
PMZ50-Z1-E-014	Toolbox cover	1
PMZ50-Z1-E-015	Toolbox cover press block	1
PMZ50-Z1-E-016	Pedal	1
PMZ50-Z1-E-017	Pedal ventilation hood	1
PMZ50-Z1-E-018	Left toolbox	1
PMZ50-Z1-E-019	Right toolbox	1
PMZ50-Z1-E-019-1	Clip	9



Part No.	Description	Qty per Vehicel
PMZ50-Z1-F-001	Lower connection board	1
PMZ50-Z1-F-002	Upper link plate	1
PMZ50-Z1-F-003	CUSHION ASSY FR L	1
PMZ50-Z1-F-004	CUSHION ASSY FR R	1
PMZ50-Z1-F-005	Front disc brake clamp 1	1
PMZ50-Z1-F-005-1	Front wheel speed sensor clamp	1
PMZ50-Z1-F-007	Front disc brake clamp	1
PMZ50-Z1-F-008	Side reflector	2
PMZ50-Z1-F-009	Front fender	1
PMZ50-Z1-F-010	smalll Nylon clamp	5
PMZ50-Z1-F-011	Nylon clamp	8
PMZ50-Z1-F-012	Upper the steel bowl	1
PMZ50-Z1-F-013	Lower the steel bowl	1
PMZ50-Z1-F-014	Upper gasket	1
PMZ50-Z1-F-015	Lower gasket	1
PMZ50-Z1-F-016	Upper retaining ring	1
PMZ50-Z1-F-017	Lower retaining ring	1
PMZ50-Z1-F-018	Upper steel ball	1
PMZ50-Z1-F-019	Lower steel ball	1
PMZ50-Z1-F-020	Cap nut	1
PMZ50-Z1-F-021	adjusting nut	1
PMZ50-Z1-F-022	Steel bowl rubber sheath	3
PMZ50-Z1-F-022-1	Plastic buckle φ 16	2



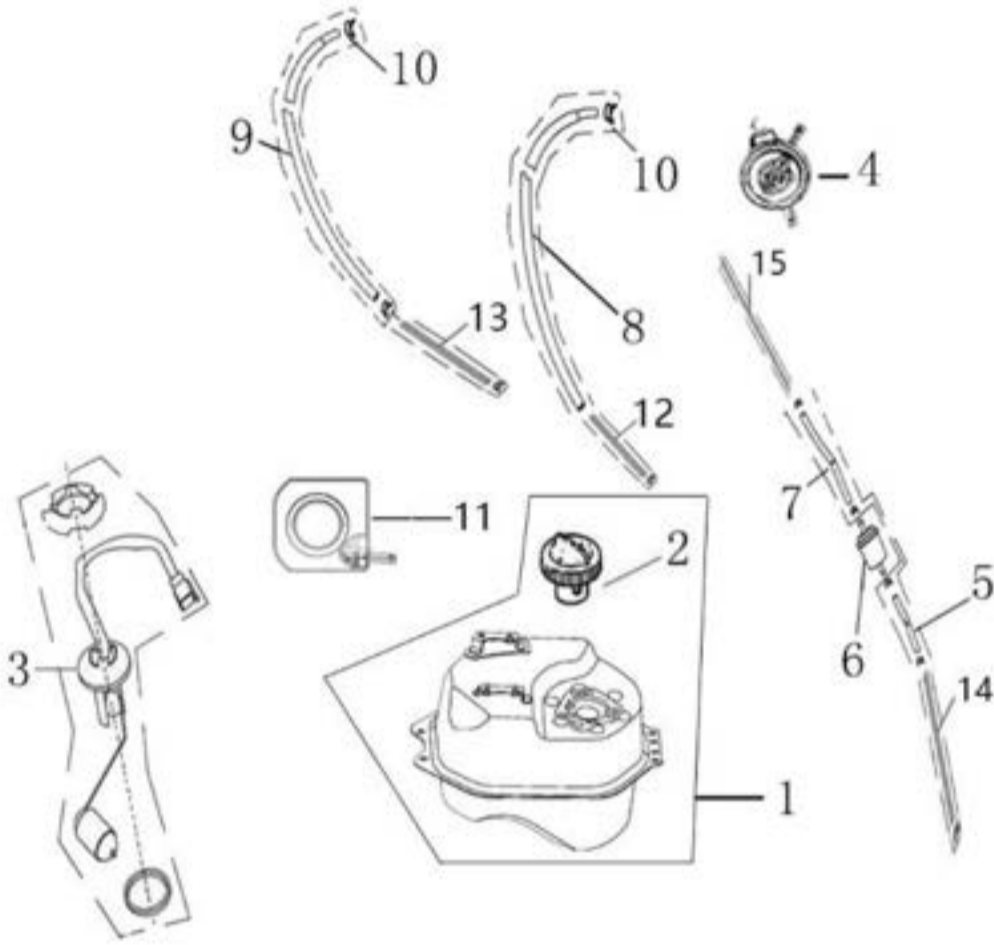
Part No.	Description	Qty per Vehicel
PMZ50-Z1-G-001	WHEEL SET FR MT2.75*12	1
PMZ50-Z1-G-002	VALVE(PVR-70)&CAP(E)	1
PMZ50-Z1-G-003	TIRE 110/70-12	1
PMZ50-Z1-G-004	COLLAR FR WHEEL SIDE $\Phi 12*\Phi 20*25$	1
PMZ50-Z1-G-005	AXLE FR WHEEL M12*220	1
PMZ50-Z1-G-006	NUT U FLANGE 10MM	1
PMZ50-Z1-G-007	DISK FR BRAKE 190mm	1
PMZ50-Z1-G-008	Disc brake disc mounting bolt	3
PMZ50-Z1-G-009	driver	1



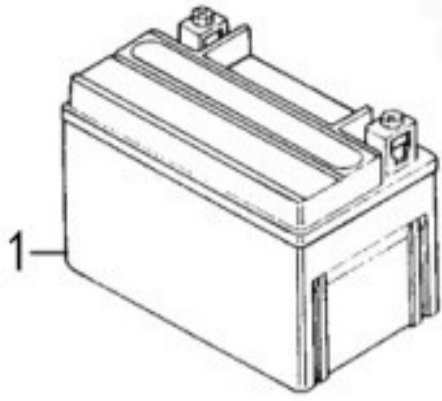
Part No.	Description	Qty per Vehicel
PMZ50-Z1-H-001	After the aluminum wheel MT2.50*10	1
PMZ50-Z1-H-002	TIRE 3.50-10	1
PMZ50-Z1-H-003	valve	1
PMZ50-Z1-H-004	SHOE SET BRAKE	1
PMZ50-Z1-H-005	NUT U FLANGE 16MM	1
PMZ50-Z1-H-006	CAM RR BRK	1
PMZ50-Z1-H-007	ARM COMP RR BRAKE	1
PMZ50-Z1-H-008	BOLT FLANGE M6*32	1



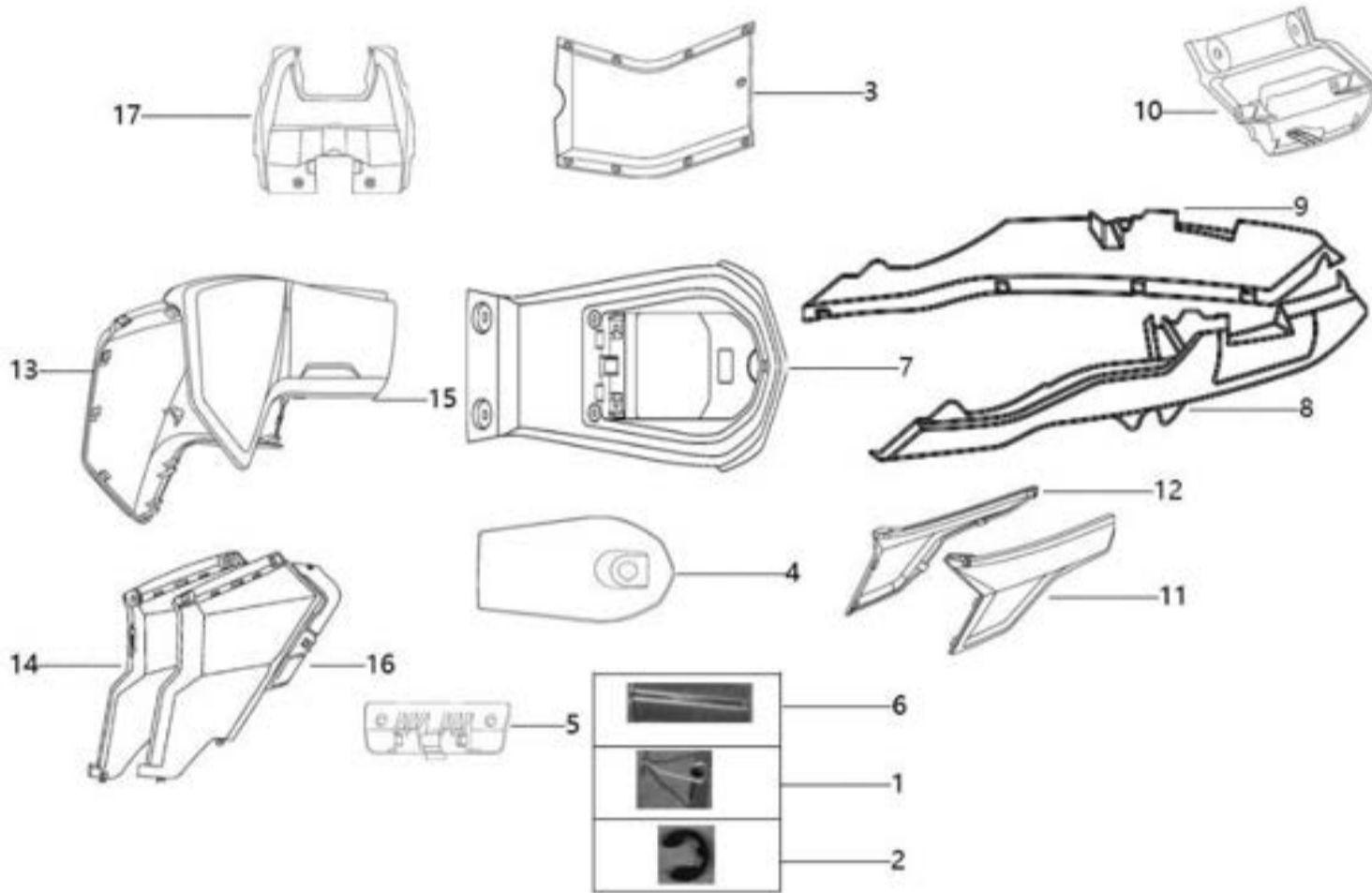
Part No.	Description	Qty per Vehicel
PMZ50-Z1-I-001	Seat cushion (including seat cushion rocker shaft)	1



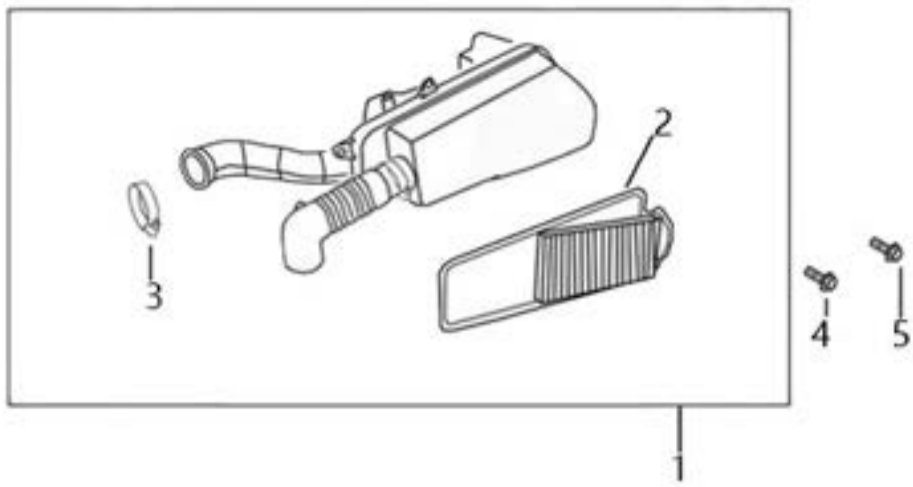
Part No.	Description	Qty per Vehicel
PMZ50-Z1-J-001	The fuel tank	1
PMZ50-Z1-J-002	The cap	1
PMZ50-Z1-J-003	Oil level sensor assembly	1
PMZ50-Z1-J-004	The oil pump	1
PMZ50-Z1-J-005	Oil filter inlet pipe 60mm	0.13
PMZ50-Z1-J-006	The filter	1
PMZ50-Z1-J-007	Oil filter flowline	0.11
PMZ50-Z1-J-008	Oil pump flowline	0.42
PMZ50-Z1-J-009	Negative pressure pipe	0.43
PMZ50-Z1-J-010	Steel pickup spring $\Phi$ 8.5	8
PMZ50-Z1-J-011	Oil leakage pan	1
PMZ50-Z1-J-012	Spring tubing protection 85mm	1
PMZ50-Z1-J-013	Spring tubing protection 115mm	1
PMZ50-Z1-J-014	Spring tubing protection 340mm	1
PMZ50-Z1-J-015	Spring tubing protection 450mm	1



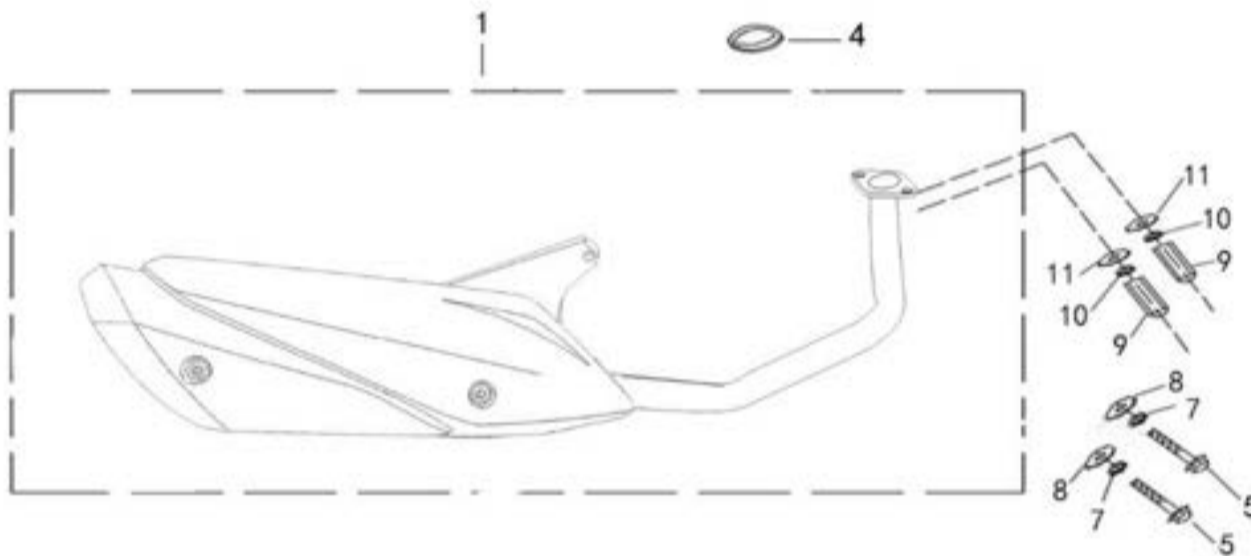
Part No.	Description	Qty per Vehicle
PMZ50-Z1-K-001	BATTERY YTX7A-BS	1



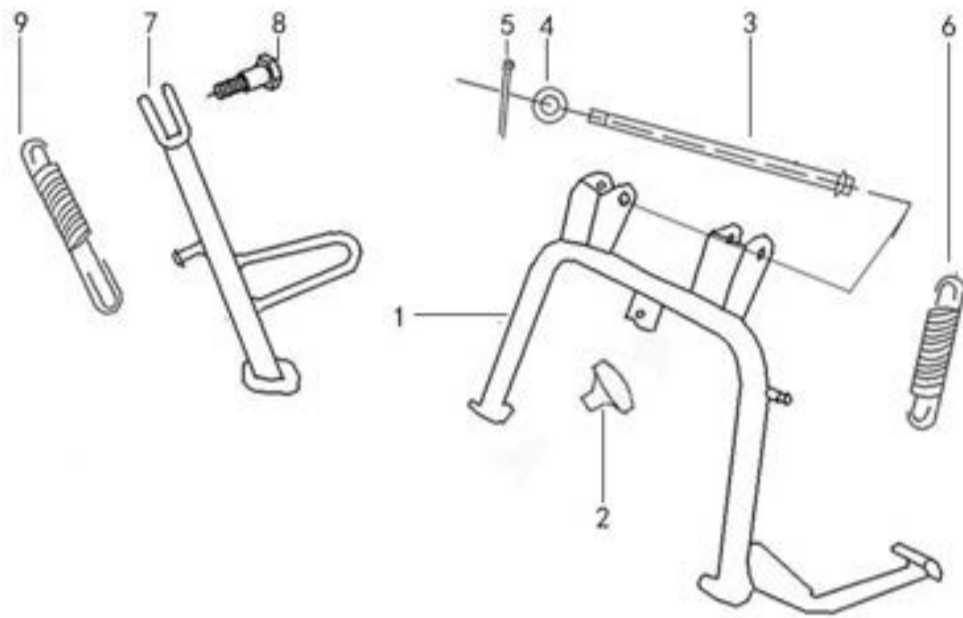
Part No.	Description	Qty per Vehicle
PMZ50-Z1-L-001	Return spring of oil tank cover	1
PMZ50-Z1-L-002	Fuel tank cover spring card	1
PMZ50-Z1-L-003	Fuel tank guard	1
PMZ50-Z1-L-004	Tank lock cover	1
PMZ50-Z1-L-005	Tank cover connecting bracket	1
PMZ50-Z1-L-006	Oil tank cover pin shaft	1
PMZ50-Z1-L-007	Fuel tank cover	1
PMZ50-Z1-L-008	Tail cover left	1
PMZ50-Z1-L-009	Tail cover right	1
PMZ50-Z1-L-010	Tail cover upper cover	1
PMZ50-Z1-L-011	Tail cover left trim	1
PMZ50-Z1-L-012	Tail cover right trim	1
PMZ50-Z1-L-013	Right cover	1
PMZ50-Z1-L-014	Lower part of right cover	1
PMZ50-Z1-L-015	Left cover	1
PMZ50-Z1-L-016	Lower part of left cover	1
PMZ50-Z1-L-017	Side cover front connector	1
PMZ50-Z1-L-017-1	Side plate mounting rubber	6



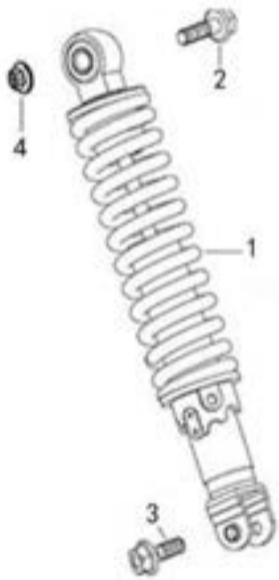
Part No.	Description	Qty per Vehicel
PMZ50-Z1-M-001	AIR/C ASSY	1
PMZ50-Z1-M-002	ELEMENT COMP AIR/C	1
PMZ50-Z1-M-003	BAND AIR/C CONNECTING TUBE	1
PMZ50-Z1-M-004	BOLT FLANGE SH 6*25	1
PMZ50-Z1-M-005	BOLT FLANGE SH 6*32	1



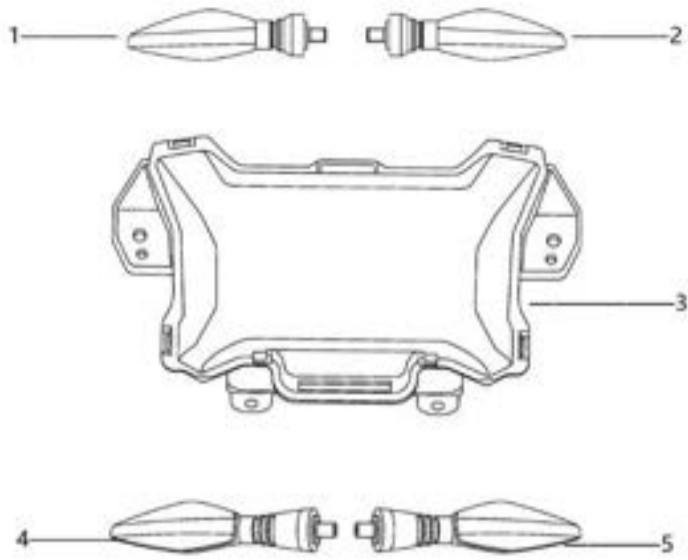
Part No.	Description	Qty per Vehicel
PMZ50-Z1-N-001	MUFFLER ASSY EXH	1
PMZ50-Z1-N-002	PROTECTOR MUFFLER	1
PMZ50-Z1-N-004	Muffler gasket	1
PMZ50-Z1-N-005	BOLT FLANGE M8*40	2
PMZ50-Z1-N-007	SPY WANSHWE 8MM	2
PMZ50-Z1-N-008	WANSHWE 8MM	2
PMZ50-Z1-N-009	NUT (HEX) CAP 6MM	2
PMZ50-Z1-N-010	SPY WANSHWE 6MM	2
PMZ50-Z1-N-011	WANSHWE 6MM	2



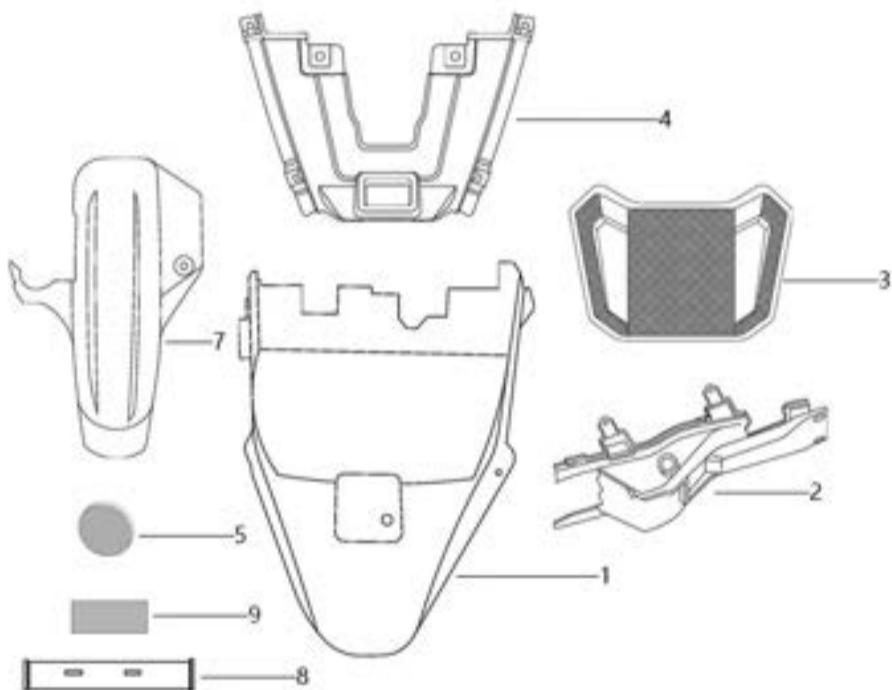
Part No.	Description	Qty per Vehicel
PMZ50-Z1-O-001	STAND COMP MAIN	1
PMZ50-Z1-O-002	STOPPER RUBBER	1
PMZ50-Z1-O-003	SHAFT MAIN STAND	1
PMZ50-Z1-O-004	WANSHER 8MM	1
PMZ50-Z1-O-005	SPLIT PIN $\Phi 3 \times 30$	1
PMZ50-Z1-O-006	SPG D MAIN STAND 95MM	1
PMZ50-Z1-O-007	SIDE STAND COMP	1
PMZ50-Z1-O-008	SCREW SIDE STAND PIVOT	1
PMZ50-Z1-O-009	SPG B1 SIDE STAND 85mm	1
PMZ50-Z1-O-009-1	Front pedal rubber block	1SET



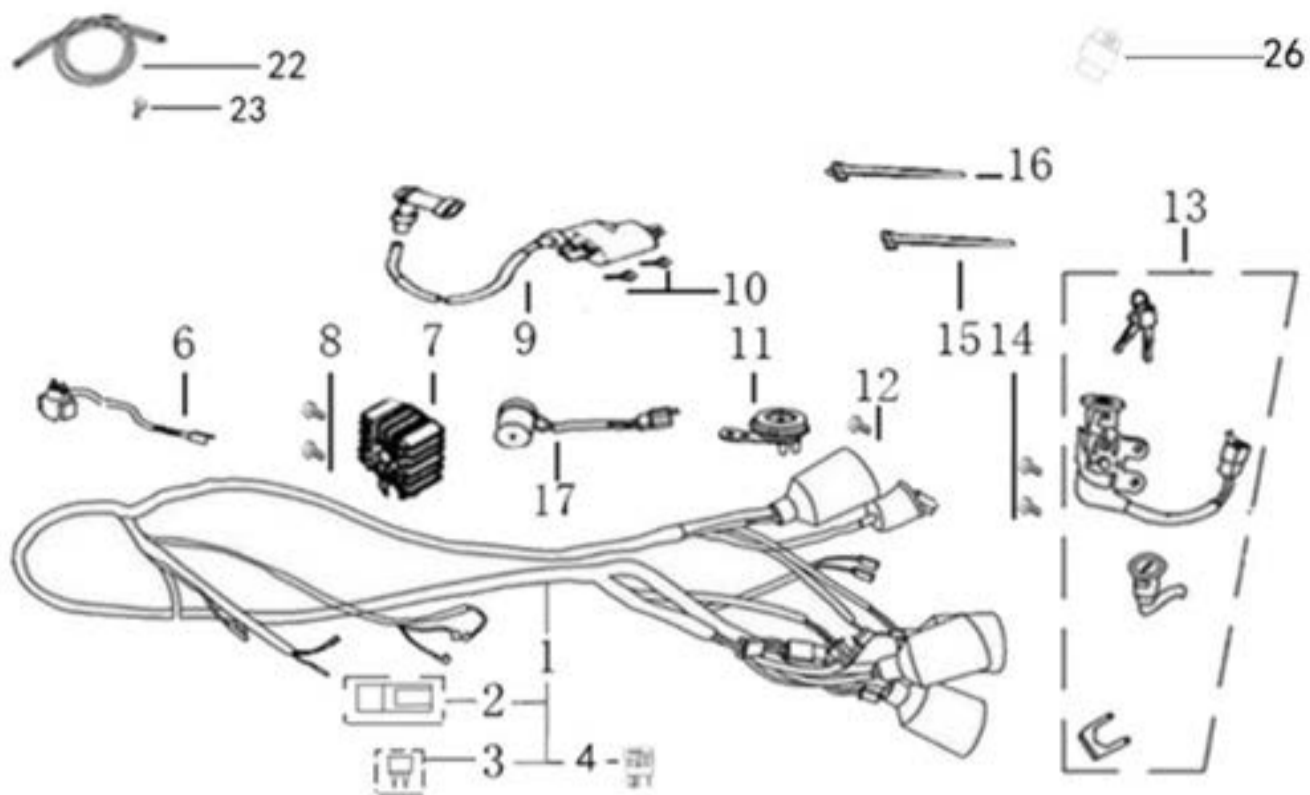
Part No.	Description	Qty per Vehicel
PMZ50-Z1-P-001	Rear shock absorber	1
PMZ50-Z1-P-002	BOLT FLANGE M10*40	1
PMZ50-Z1-P-003	BOLT FLANGE M8*32	1
PMZ50-Z1-P-004	Hexagonal flange self-locking nut M10	1



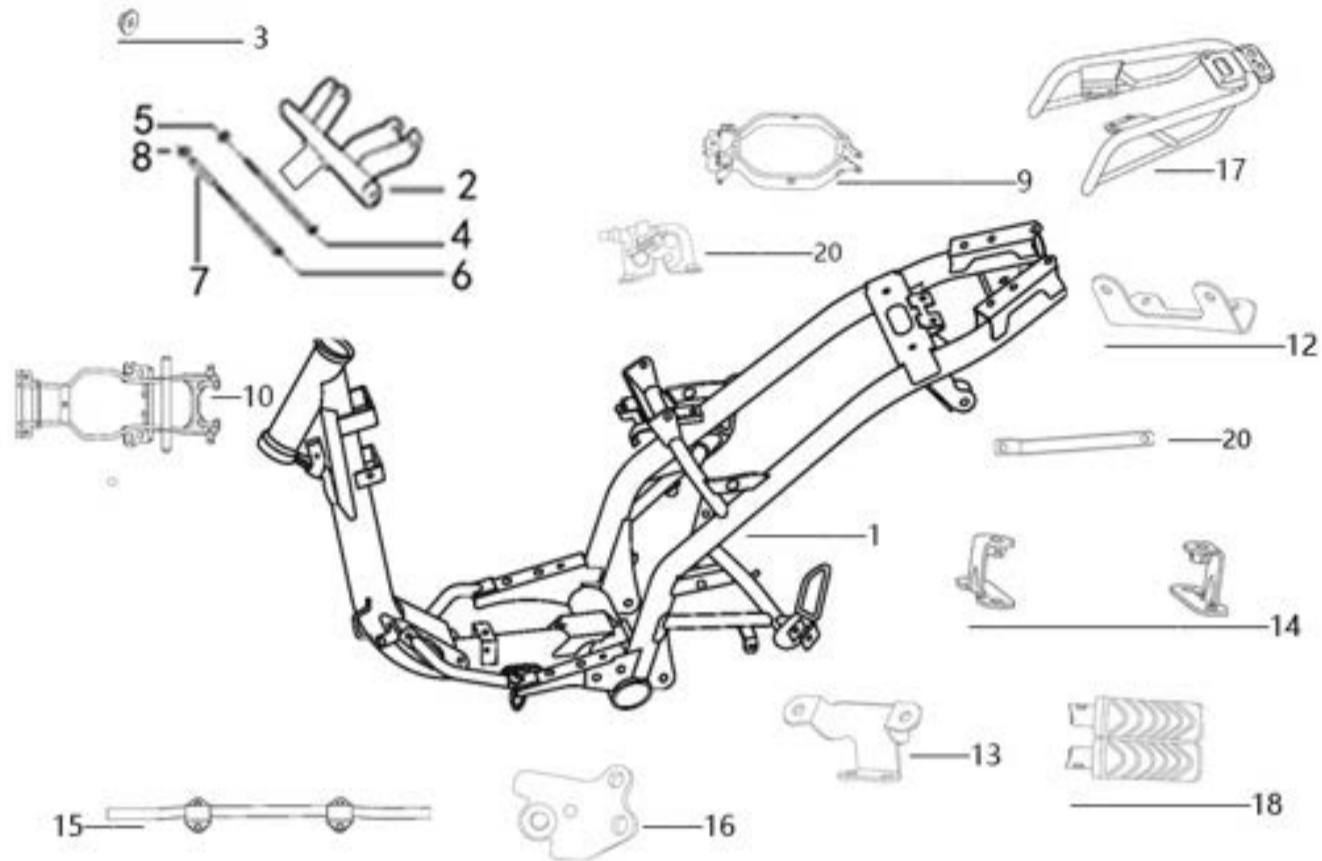
Part No.	Description	Qty per Vehicel
PMZ50-Z1-Q-001	THE LEFT TURN SIGNAL	1
PMZ50-Z1-Q-002	RIGHT TURN SIGNAL	1
PMZ50-Z1-Q-003	LED TAIL LAMP ASSEMBLY	1
PMZ50-Z1-Q-004	AFTER THE LEFT TURN SIGNAL	1
PMZ50-Z1-Q-005	RIGHT REAR TURN SIGNAL	1
PMZ50-Z1-Q-005-1	Turn signal card	2



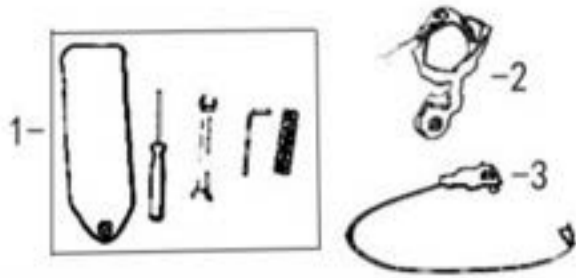
Part No.	Description	Qty per Vehicel
PMZ50-Z1-R-001	Frame fender	1
PMZ50-Z1-R-002	Rear fender of car body	1
PMZ50-Z1-R-003	Rear shelf bottom plate	1
PMZ50-Z1-R-004	License plate lamp lower cover	1
PMZ50-Z1-R-005	Rear reflector	2
PMZ50-Z1-R-006	Block Shui Pi.	1
PMZ50-Z1-R-007	Rear wheel fender	1
PMZ50-Z1-R-008	Rear license plate bracket	1
PMZ50-Z1-R-009	Rear reflector	1



Part No.	Description	Qty per Vehicle
PMZ50-Z1-S-001	HARNESS WIRE	1
PMZ50-Z1-S-002	CASE FUSE	2
PMZ50-Z1-S-003	FUSE 15A	4
PMZ50-Z1-S-006	SET START MAG ASSY	1
PMZ50-Z1-S-007	REG REC COMP	1
PMZ50-Z1-S-008	BOLT FLANGE 6*16	2
PMZ50-Z1-S-009	COIL ASSY IGN	1
PMZ50-Z1-S-010	BOLT FLANGE 6*20	2
PMZ50-Z1-S-011	HORN COMP (HIGH)	1
PMZ50-Z1-S-012	BOLT FLANGE 6*12	1
PMZ50-Z1-S-013	SW COMP LOCK	1
PMZ50-Z1-S-014	BOLT SPECIAL 6*16	2
PMZ50-Z1-S-015	TIE 150mm	8
PMZ50-Z1-S-016	TIE 250mm	5
PMZ50-Z1-S-017	RELAY ASSY WINKER	1
PMZ50-Z1-S-022	CABLE SEAT LOCK	1
PMZ50-Z1-S-023	SCREW PAN. M5*10	1
PMZ50-Z1-S-026	lighter	1
PMZ50-Z1-S-026-1	Adapter bolt	2



Part No.	Description	Qty per Vehicel
PMZ50-Z1-T-001	THE FRAME	1
PMZ50-Z1-T-002	hanger	1
PMZ50-Z1-T-003	RUBBER STOPPER	1
PMZ50-Z1-T-004	AXLE ENG HANGER B	1
PMZ50-Z1-T-005	NUT U FLANGE 10MM	1
PMZ50-Z1-T-006	AXLE ENG HANGER A	1
PMZ50-Z1-T-007	COLLER HANGER	1
PMZ50-Z1-T-008	NUT U FLANGE 10MM	1
PMZ50-Z1-T-009	Fuel tank bracket	1
PMZ50-Z1-T-010	Headlight bracket	1
PMZ50-Z1-T-011	Taillight bracket	1
PMZ50-Z1-T-012	Taillight fixing bracket	1
PMZ50-Z1-T-013	Side cover bracket	1
PMZ50-Z1-T-014	Side cover rear bracket	1
PMZ50-Z1-T-015	Front foot rest	1
PMZ50-Z1-T-016	Pedal bracket (side bracket plate bracket)	1
PMZ50-Z1-T-017	Rear shelf bottom plate	1
PMZ50-Z1-T-018	Rear pedal	1
PMZ50-Z1-T-018-1	Rear shelf plug	2
PMZ50-Z1-T-019	Cushion lock plate	1
PMZ50-Z1-T-019-1	Rear fender bracket 1	1
PMZ50-Z1-T-019-2	Rear fender bracket 2	1
PMZ50-Z1-T-019-3	Rear fender bracket 3	1



Part No.	Description	Qty per Vehicel
PMZ50-Z1-U-001	On-board tools	1
PMZ50-Z1-U-002	Single support flameout switch	1
PMZ50-Z1-U-003	Engine	1
PMZ50-Z1-U-004	Full set of decals	1
PMZ50-Z1-U-005	A full set of standard parts	1SET
PMZ50-Z1-U-006	carburetor	1
PMZ50-Z1-U-007	Bluetooth switch	1