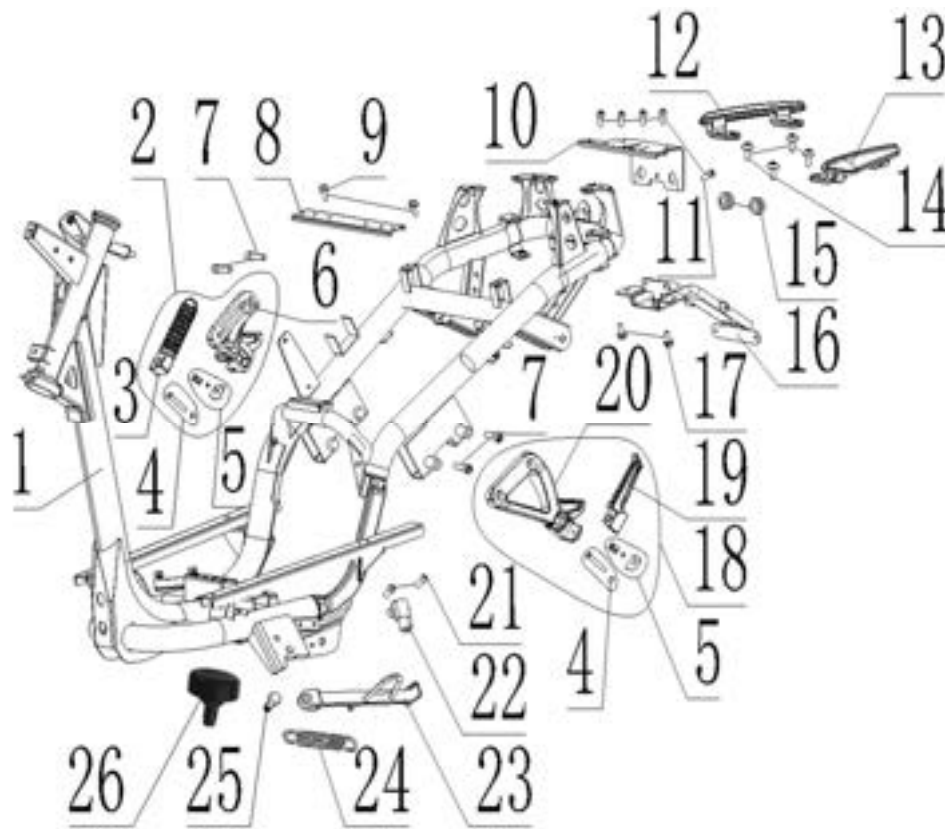
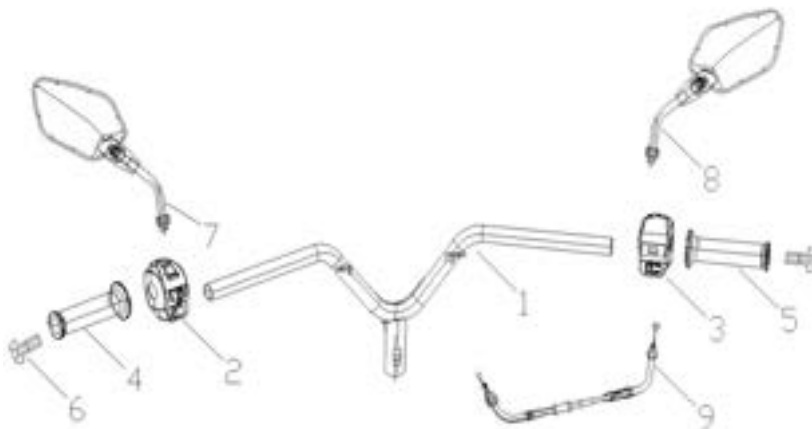


Part No.	Description	Qty per Vehicle
PMZ200-F4-A-001	FRAME ASSY	1
PMZ200-F4-A-002	REAR STEP BAR ASSY,RH	1
PMZ200-F4-A-003	RIGHT STEP BAR	1
PMZ200-F4-A-004	PIN ASSY,STEP BAR	2
PMZ200-F4-A-005	PLATE ASSY,STEP BAR	2
PMZ200-F4-A-006	RIGHT BRACKET,STEP BAR	1
PMZ200-F4-A-007	BOLT M8*20	4
PMZ200-F4-A-008	BOLT M6*12	2
PMZ200-F4-A-009	BRACKET,OILD TANK	1
PMZ200-F4-A-010	TAIL BOARD	1
PMZ200-F4-A-011	BOLT M6*12	5
PMZ200-F4-A-012	RIGHT REAR CARRIER	1
PMZ200-F4-A-013	LEFT REAR CARRIER	1
PMZ200-F4-A-014	BLOT M8*20	4
PMZ200-F4-A-015	RUBBER RING,FOOT PANEL	2
PMZ200-F4-A-016	BRACKET,RR FENDER	1
PMZ200-F4-A-017	BOLT M6*16	2
PMZ200-F4-A-018	REAR STEP BAR ASSY,LEFT	1

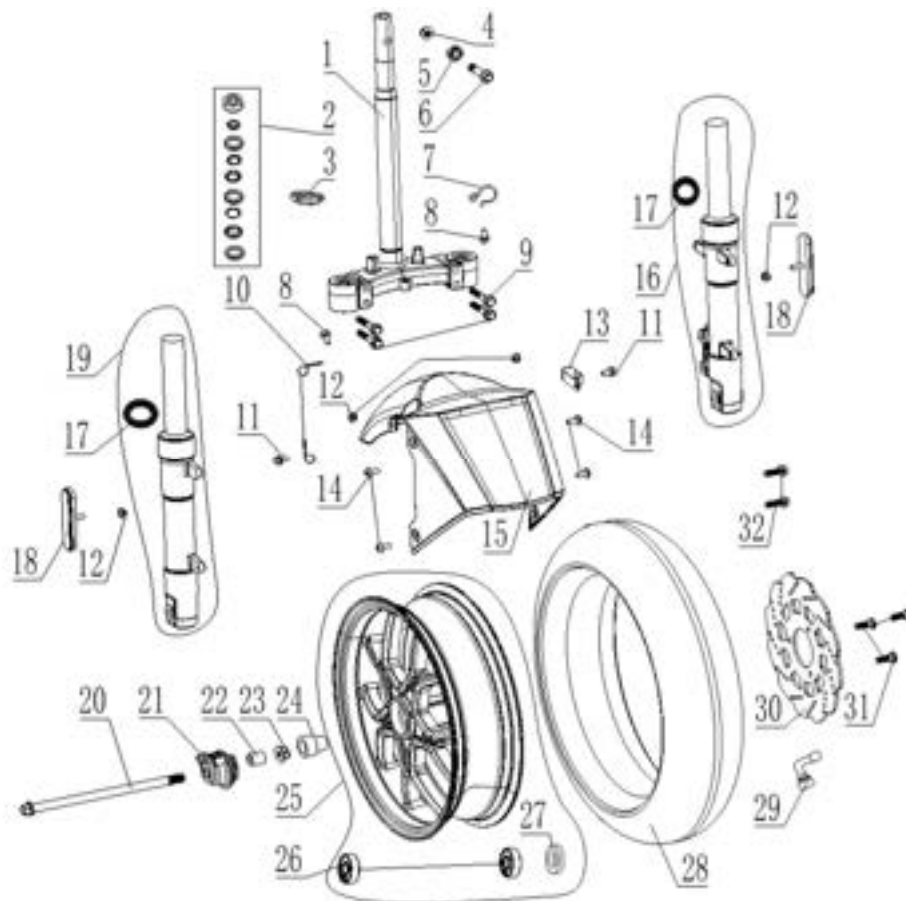


Part No.	Description	Qty per Vehicle
PMZ200-F4-A-019	LEFT STEP BAR	1
PMZ200-F4-A-020	LEFT BRACKET,STEP BAR	1
PMZ200-F4-A-021	BOLT M8*30	2
PMZ200-F4-A-022	SWITCH,SIDE STAND	1
PMZ200-F4-A-023	SIDE STAND	1
PMZ200-F4-A-024	SPRING,SIDESTAND	1
PMZ200-F4-A-025	BOLT,SIDE STAND	1
PMZ200-F4-A-026	BUSHER,MAINSTAND	1



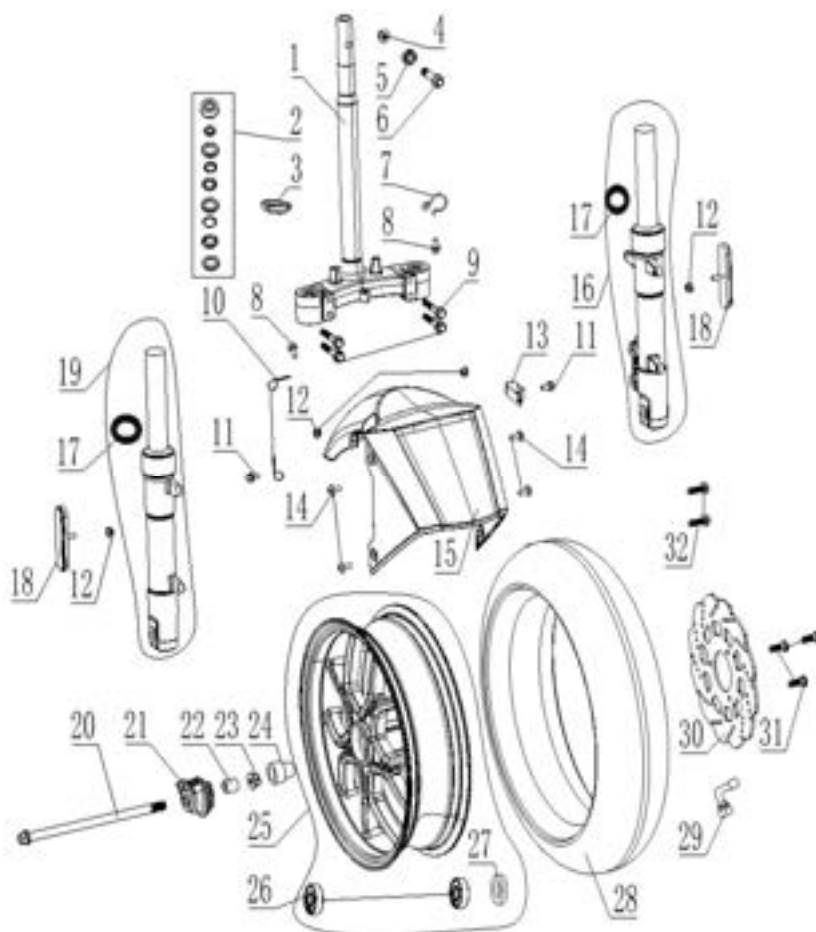
Part No.	Description	Qty per Vehicle
PMZ200-F4-B-001	HANDLE BAR	1
PMZ200-F4-B-002	SWITCH LH	1
PMZ200-F4-B-003	SWITCH RH	1

PMZ200-F4-B-004	GRIP LH	1
PMZ200-F4-B-005	THROTTLE GRIP,HANDLE	1
PMZ200-F4-B-006	END HANDLE BAR	2
PMZ200-F4-B-007	MIRRIOR LH	1
PMZ200-F4-B-008	MIRROR RH	1
PMZ200-F4-B-009	THROTTLE CABLE	1

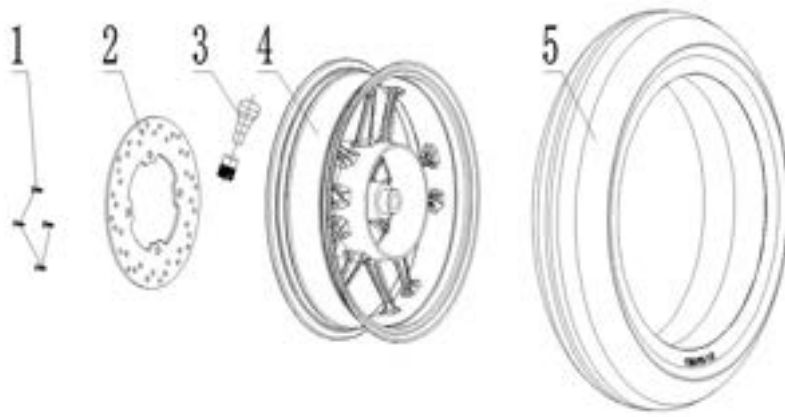


Part No.	Description	Qty per Vehicle
PMZ200-F4-C-001	STEERING STEM	1
PMZ200-F4-C-002	TOP NUT,STEERING STEM	1
PMZ200-F4-C-003	LOWER LOCKING NUT	1
PMZ200-F4-C-004	NUT M10	1
PMZ200-F4-C-005	BUSH,HANDLE BAR	1
PMZ200-F4-C-006	BOLT M10*50*1.25	1
PMZ200-F4-C-007	LEFT CLIPPER,STEM	1
PMZ200-F4-C-008	BOLT M6*12	2
PMZ200-F4-C-009	BOLT M8*40	4
PMZ200-F4-C-010	CLPPER,RING SENSOR	2
PMZ200-F4-C-011	BOLT M6*25	2
PMZ200-F4-C-012	NUT M6	4
PMZ200-F4-C-013	CLIPPER,FR BRAKE HOSE	1
PMZ200-F4-C-014	BOLT M8*40	4

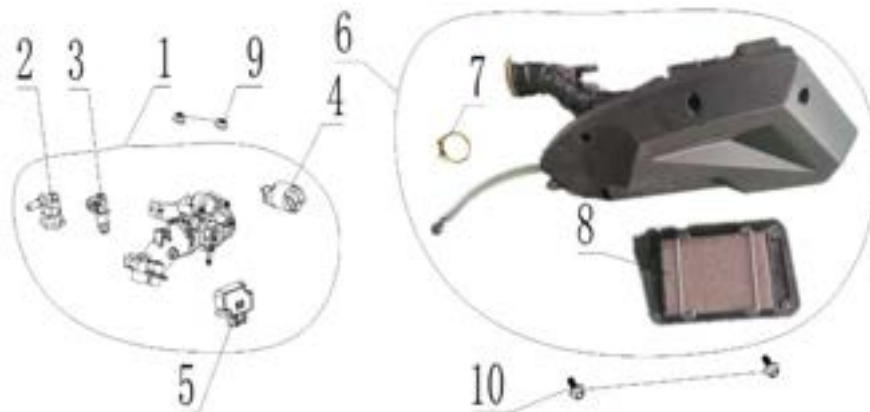
PMZ200-F4-C-015	FRONT FENDER	1
PMZ200-F4-C-016	LEFT ABSORBER,FR	1
PMZ200-F4-C-017	SEAL,ABSORBLER	2



Part No.	Description	Qty per Vehicel
PMZ200-F4-C-018	SIDE REFLETOR	2
PMZ200-F4-C-019	RIGHT ABSORBER FR	1
PMZ200-F4-C-020	FRONT AXLE	1
PMZ200-F4-C-021	SPEEDSENSOR	1
PMZ200-F4-C-022	RIGHT SPACER,AXLE	1
PMZ200-F4-C-023	NUT M12	1
PMZ200-F4-C-024	COVER,FR AXLE	1
PMZ200-F4-C-025	FRONT RIM	1
PMZ200-F4-C-026	BEARING,FR RIM	2
PMZ200-F4-C-027	SEAL,FR RIM	1
PMZ200-F4-C-028	FRONT TIRE	1
PMZ200-F4-C-029	VALVE,RR RIM	1
PMZ200-F4-C-030	FRONT DISC PLATE	1
PMZ200-F4-C-031	BOLT,DISC PLATE	3
PMZ200-F4-C-032	BOLT M8*35	2



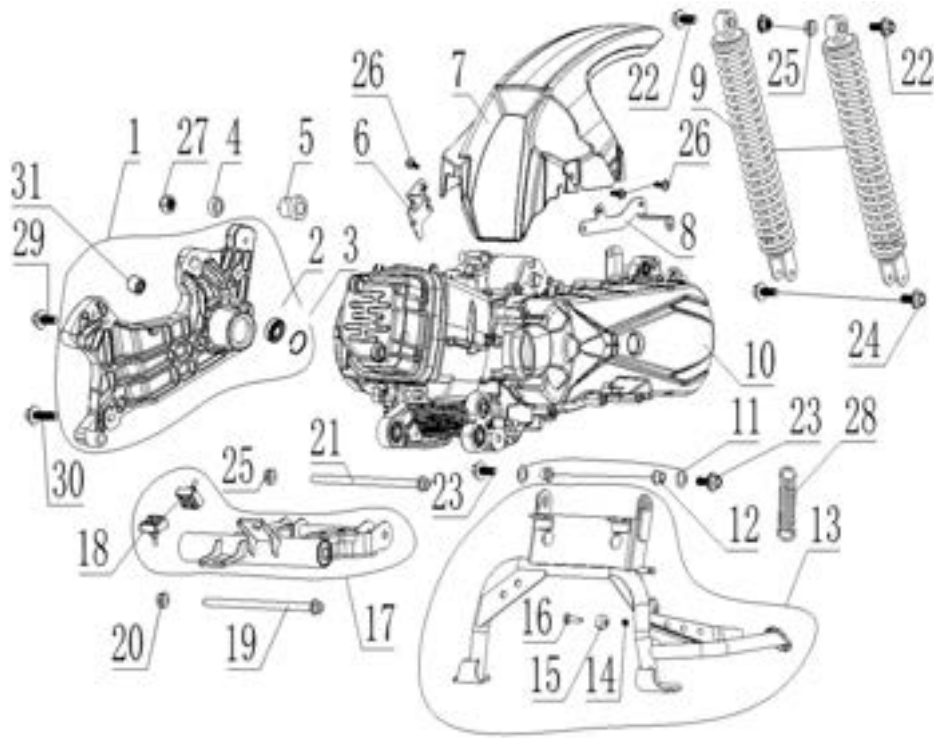
Part No.	Description	Qty per Vehicle
PMZ200-F4-D-001	BOLT,DISC PLATE	4
PMZ200-F4-D-002	REAR DISC PLATE	1
PMZ200-F4-D-003	VALVE,RR RIM	1
PMZ200-F4-D-004	REAR RIM	1
PMZ200-F4-D-005	REAR TIRE	1



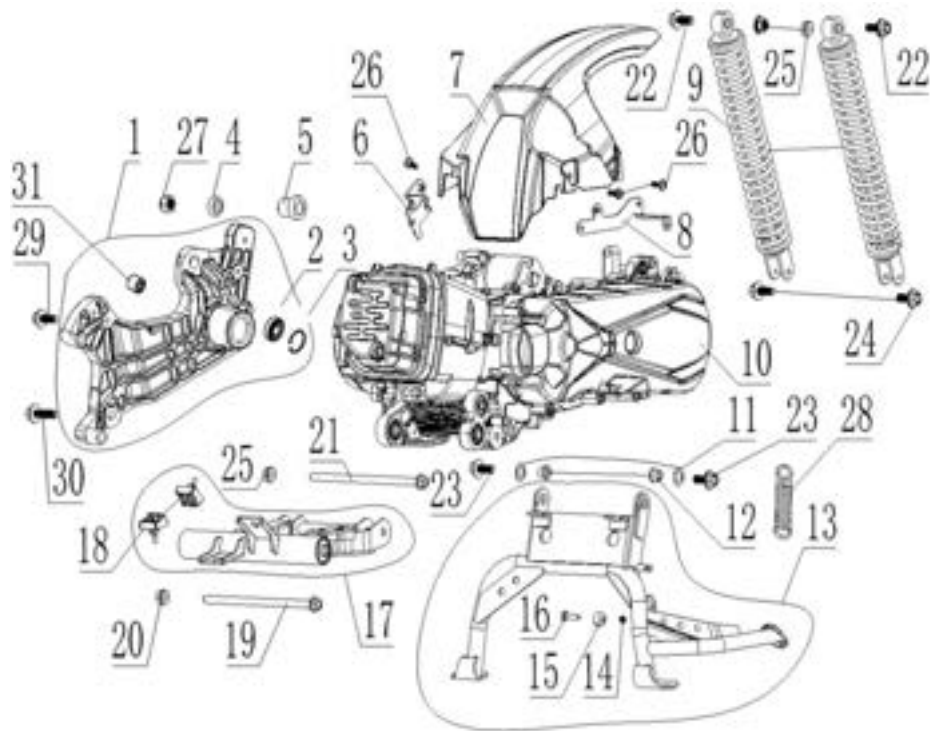
Part No.	Description	Qty per Vehicle
PMZ200-F4-E-001	TROTTLER BODY ASSY	1
PMZ200-F4-E-002	HOLDER,INJECTOR	1
PMZ200-F4-E-003	INJECTOR	1
PMZ200-F4-E-004	INTAKE-TEMP SENSOR	1
PMZ200-F4-E-005	STEP MOTOR	1
PMZ200-F4-E-006	AIR FILTER ASSY.	1
PMZ200-F4-E-007	CLAMP,AIR FILTER	1
PMZ200-F4-E-008	ELMENT AIR/C	1
PMZ200-F4-E-009	NUT M6	7
PMZ200-F4-E-010	BOLT M6*25	2



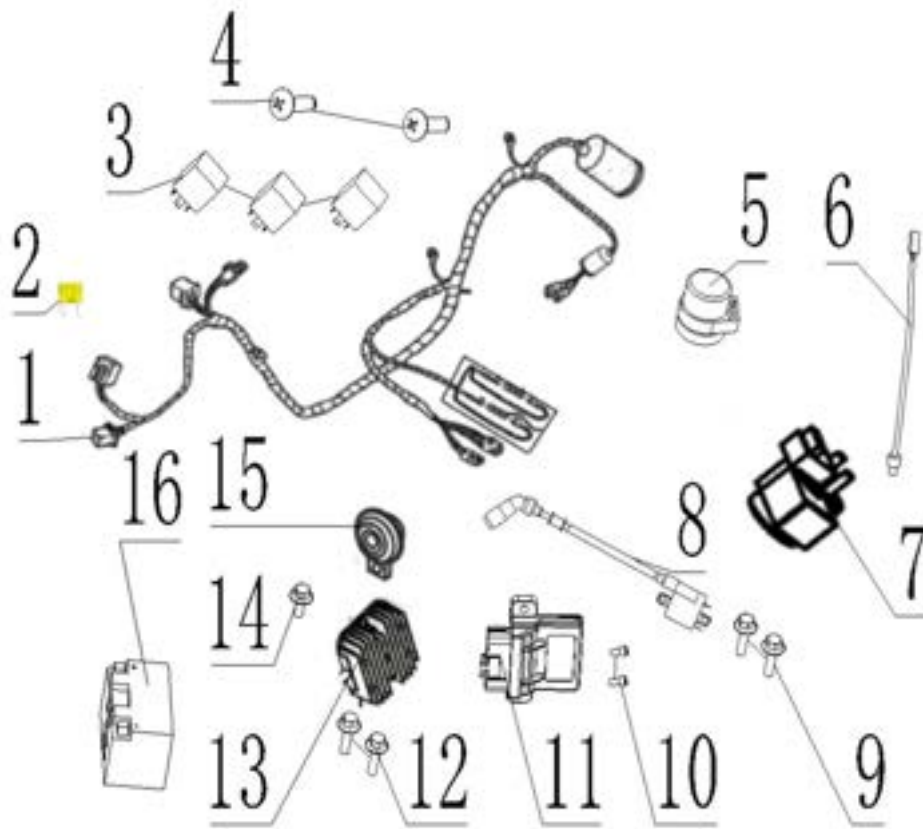
Part No.	Description	Qty per Vehicel
PMZ200-F4-F-001	MUFFLER ASSY(CATALYZED)	1
PMZ200-F4-F-002	SIDE COVER,MUFFLER	1
PMZ200-F4-F-003	ANTI HEAT WASHER,MUFFLER	2
PMZ200-F4-F-004	SPACER,COVER,MUFFLER	2
PMZ200-F4-F-005	RUBBER,COVER,MUFFLER	2
PMZ200-F4-F-006	WASHER,COVER,MUFFLER	2
PMZ200-F4-F-007	BOLT,MUFFLER COVER	2
PMZ200-F4-F-008	BOLT M8*45	1
PMZ200-F4-F-009	BOLT M8*35	1
PMZ200-F4-F-010	BOLT M10*60	1
PMZ200-F4-F-011	WASHER,CYLINDER HEAD	1
PMZ200-F4-F-012	NUT M8	2
PMZ200-F4-F-013	OXYEN SENSOR	1



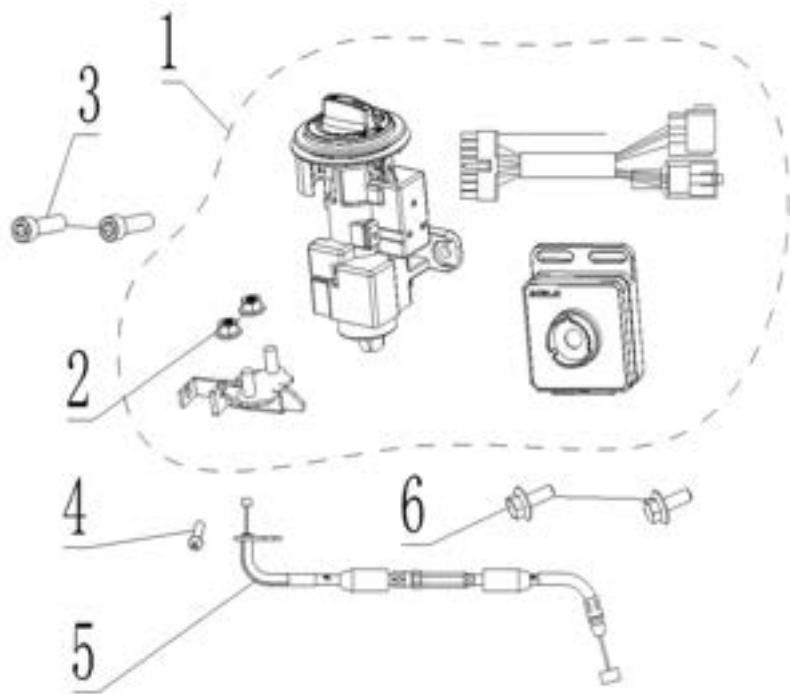
Part No.	Description	Qty per Vehicle
PMZ200-F4-G-001	ALU, SWING ARM,ENGINE	1
PMZ200-F4-G-002	BEARING,ARM	2
PMZ200-F4-G-003	RING	1
PMZ200-F4-G-004	OUTER SPACER	1
PMZ200-F4-G-005	INNER SPACER	1
PMZ200-F4-G-006	BRACKET,REAR FENDER RH	1
PMZ200-F4-G-007	REAR FENDER,TIRE	1
PMZ200-F4-G-008	HOLDER,RR,REAR FENDER	1
PMZ200-F4-G-009	REAR ABSORBER	2
PMZ200-F4-G-010	ENGINE ASSY	1
PMZ200-F4-G-011	RUBBER,MAIN STAND	1
PMZ200-F4-G-012	SPACER,MAIN STAND	2
PMZ200-F4-G-013	MAIN STAND	1
PMZ200-F4-G-014	NUT M6	1
PMZ200-F4-G-015	RUBBER STOPPER MAIN	1
PMZ200-F4-G-016	BOLT M6*30	1
PMZ200-F4-G-017	HANGER	1
PMZ200-F4-G-018	BUSHER,HANGER	2



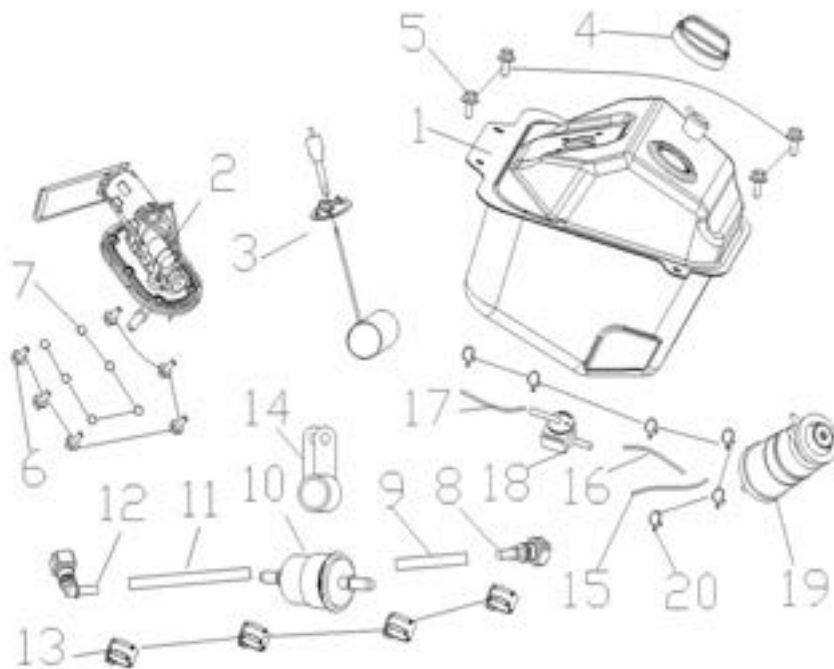
Part No.	Description	Qty per Vehicle
PMZ200-F4-G-019	AXLE FR WHEEL	1
PMZ200-F4-G-020	NUT M12*1.5	1
PMZ200-F4-G-021	BOLT M10*195	1
PMZ200-F4-G-022	BOLT M10*45	2
PMZ200-F4-G-023	BOLT M10*30	2
PMZ200-F4-G-024	BOLT M8*30	2
PMZ200-F4-G-025	NUT M10*1.25	3
PMZ200-F4-G-026	BOLT M6*14	3
PMZ200-F4-G-027	NUT M16*1.5	1
PMZ200-F4-G-028	SPRING,MAINSTAND	1
PMZ200-F4-G-029	BOLT M10*60	1
PMZ200-F4-G-030	BOLT M10*70	1



Part No.	Description	Qty per Vehicle
PMZ200-F4-H-001	MAIN HARNESS	1
PMZ200-F4-H-002	FUSE	1
PMZ200-F4-H-003	ECU RELAY	3
PMZ200-F4-H-004	SCREW M5*12	2
PMZ200-F4-H-005	RECTIFIER	1
PMZ200-F4-H-006	THERMOMETER SENSOR	1
PMZ200-F4-H-007	START RELAY	1
PMZ200-F4-H-008	IGNITION COIL ASSY	1
PMZ200-F4-H-009	BOLT M6*20	2
PMZ200-F4-H-010	BOLT M6*12	2
PMZ200-F4-H-011	ECU	1
PMZ200-F4-H-012	BOLT M6*30	2
PMZ200-F4-H-013	FLASHER	1
PMZ200-F4-H-014	BOLT M6*12	1
PMZ200-F4-H-015	HORN	1
PMZ200-F4-H-016	BATTERY	1

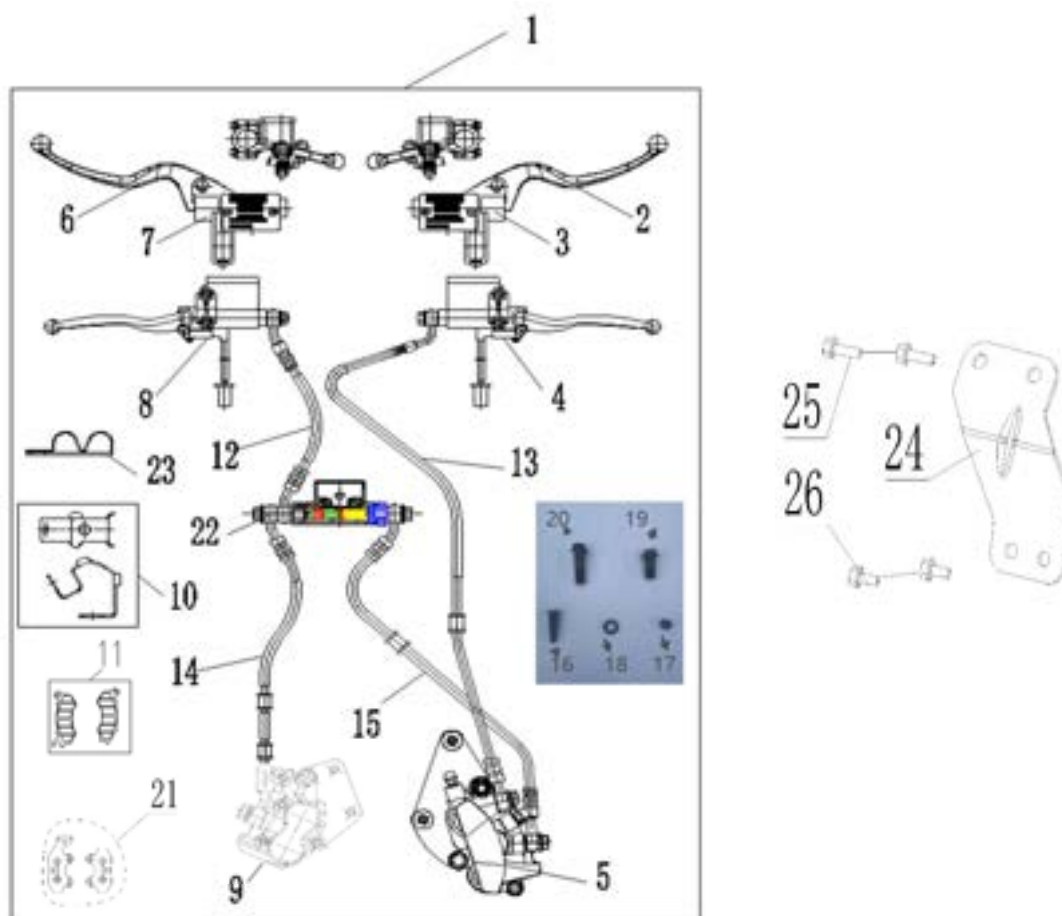


Part No.	Description	Qty per Vehicle
PMZ200-F4-I-001	LOCK SET ASSY	1
PMZ200-F4-I-002	NUT M6	2
PMZ200-F4-I-003	BOLT M6*16	2
PMZ200-F4-I-004	BOLT M5*8	1
PMZ200-F4-I-005	SEAT CABLE	1
PMZ200-F4-I-006	BOLT M5*16	2



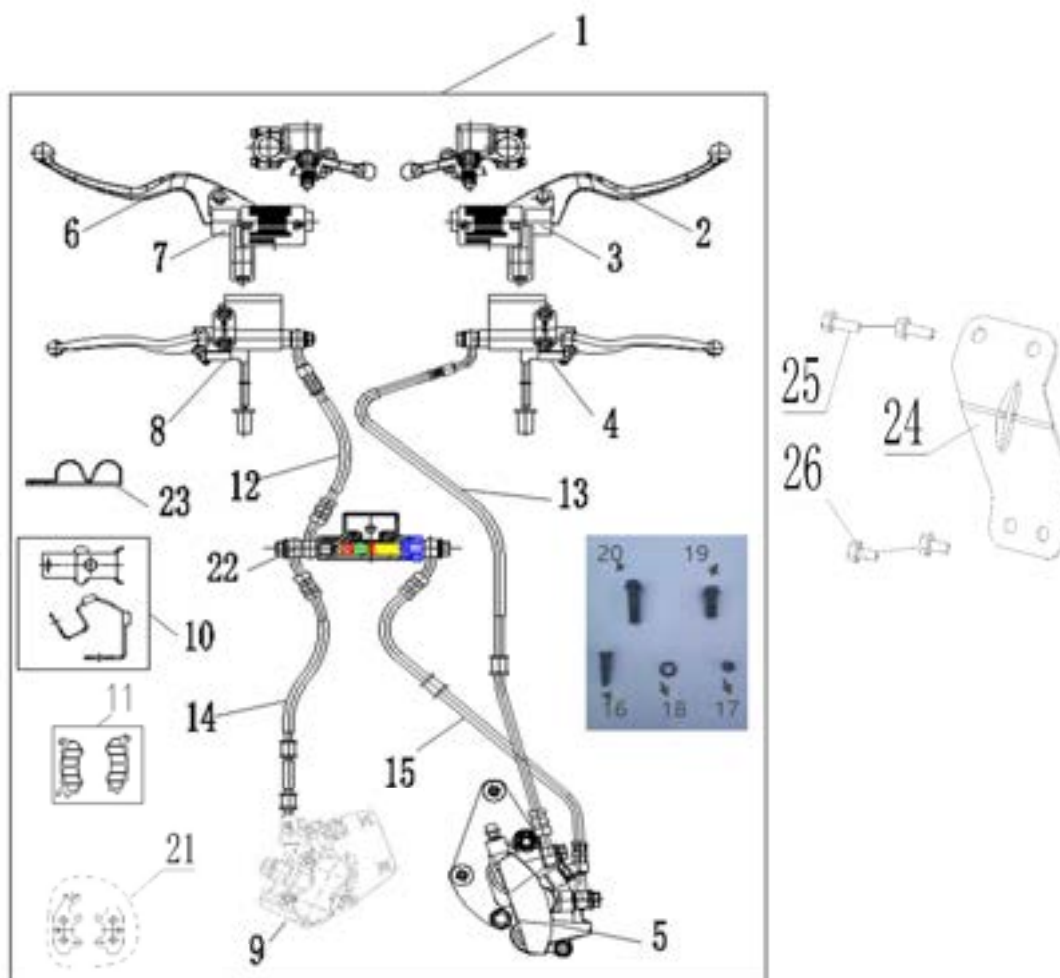
Part No.	Description	Qty per Vehicle
PMZ200-F4-J-001	FUEL TANK	1
PMZ200-F4-J-002	FUEL PUMP	1
PMZ200-F4-J-003	FUEL LEVEL SENDOR	1
PMZ200-F4-J-004	COVER, FUEL TANK	1

PMZ200-F4-J-005	BOLT M6*12	4
PMZ200-F4-J-006	BOLT M5*20	6
PMZ200-F4-J-007	SEAL RING,FUEL PUMP	6
PMZ200-F4-J-008	CONNECTOR 1, PIPE	1
PMZ200-F4-J-009	FUEL TUBE	0.14m
PMZ200-F4-J-010	FUEL FILTER	1
PMZ200-F4-J-011	FUEL TUBE	0.28m
PMZ200-F4-J-012	CONNECTOR 2, PIPE	1
PMZ200-F4-J-013	CLIPPER,FUEL TUBE, φ14	4
PMZ200-F4-J-014	CLIPPER,FILTER	1
PMZ200-F4-J-015	FUEL TUBE(Fuel tank to dump valve)	0.31m
PMZ200-F4-J-016	FUEL TUBE(Dump valve to canister)	0.105m
PMZ200-F4-J-017	FUEL TUBE(Canister to throttle body)	0.65m
PMZ200-F4-J-018	DUMP VALVE	1
PMZ200-F4-J-019	CARBON CANISTER	1
PMZ200-F4-J-020	CLIPPER,FUEL TUBE, φ8	6



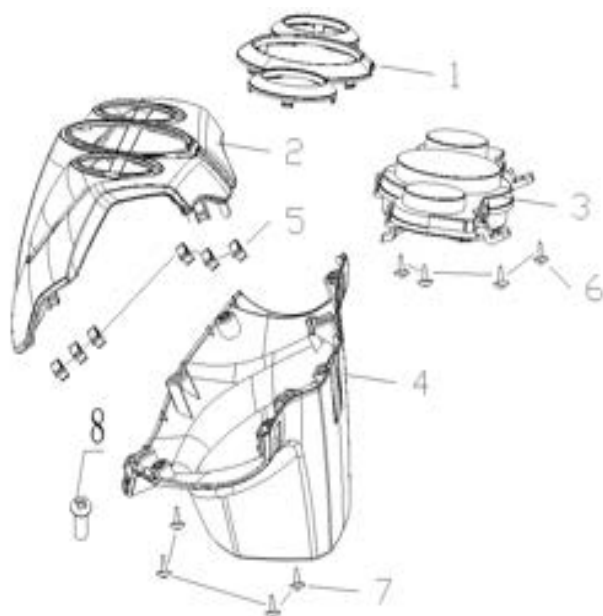
Part No.	Description	Qty per Vehicle
PMZ200-F4-K-001	CBS ASSY	1
PMZ200-F4-K-002	FR BREKE LEVEL	1
PMZ200-F4-K-003	FR UPPER PUMP	1
PMZ200-F4-K-004	SWITCH,FR BRAKE	1

PMZ200-F4-K-005	BRAKE CALLIPER, FRONT	1
PMZ200-F4-K-006	RR BRAKE LEVEL	1
PMZ200-F4-K-007	RR UPPER PUMP	1
PMZ200-F4-K-008	SWITCH,RR BRAKE	1
PMZ200-F4-K-009	BRAKE CALLIPER, REAR	1
PMZ200-F4-K-010	CLIPPER,RR BRAKE HOSE	2
PMZ200-F4-K-011	PAD,FR BRAKE	1
PMZ200-F4-K-012	RR UPPER BRAKE PIPE(450)	1
PMZ200-F4-K-013	FR UPPER BRAKE PIPE(960)	1
PMZ200-F4-K-014	RR LOWER BRAKE PIPE(1800)	1
PMZ200-F4-K-015	FR LOWER BRAKE PIPE(630)	1
PMZ200-F4-K-016	BOLT,FR BRAKE LEVEL	2
PMZ200-F4-K-017	NUT,FR BRAKE LEVEL	2
PMZ200-F4-K-018	OIL SEAL WASHER,BRAKE	15

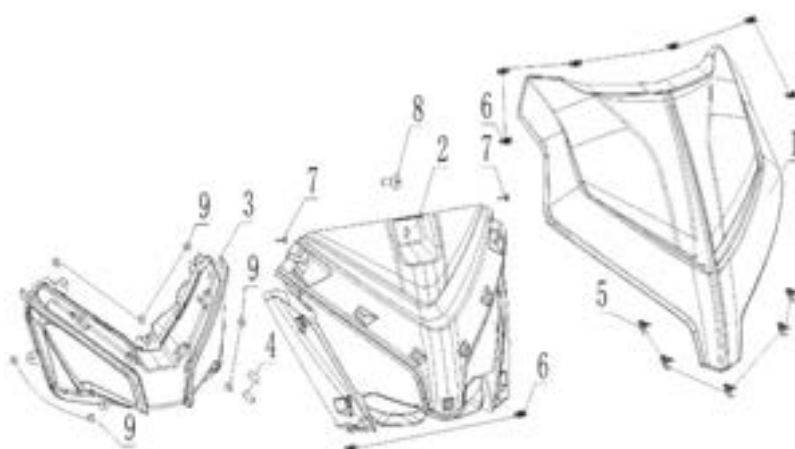


Part No.	Description	Qty per Vehicle
PMZ200-F4-K-019	BOLT,TUBE,BRAKE	6
PMZ200-F4-K-020	BOLT,RR BRAKE HOSE	1
PMZ200-F4-K-021	PAD,RR BRAKE	1
PMZ200-F4-K-022	PROPORTIONAL VALVE	1
PMZ200-F4-K-023	CLIPPER,FR BRAKE HOSE	1

PMZ200-F4-K-024	PROPORTIONAL VALVE STAY	1
PMZ200-F4-K-025	BOLT M6*12	2
PMZ200-F4-K-026	BOLT M6*40	2

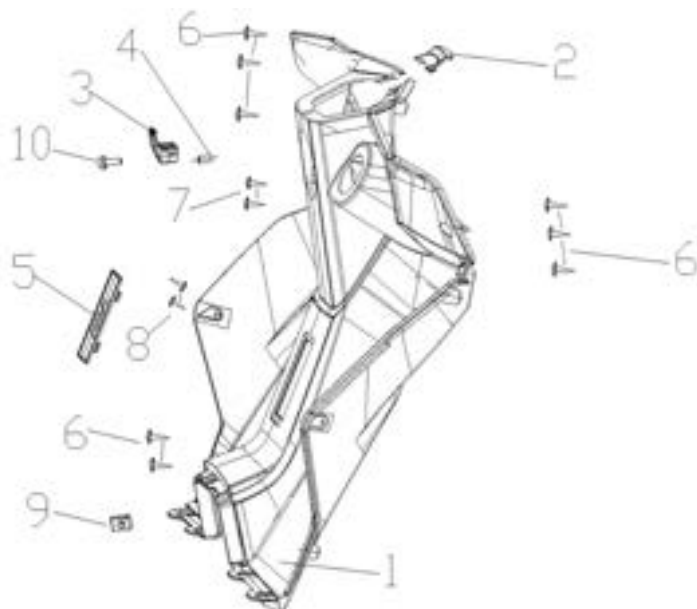


Part No.	Description	Qty per Vehicel
PMZ200-F4-L-001	DEC COVER,DASH	1
PMZ200-F4-L-002	HANDLE COVER UP	1
PMZ200-F4-L-003	SPEEDOMETER	1
PMZ200-F4-L-004	HANDLE COVER LOW	1
PMZ200-F4-L-005	PLASCTI CLIP	6
PMZ200-F4-L-006	SCREW ST4.2*12	4
PMZ200-F4-L-007	SCREW ST4.2*12	4
PMZ200-F4-L-008	SCREW M6*12	1

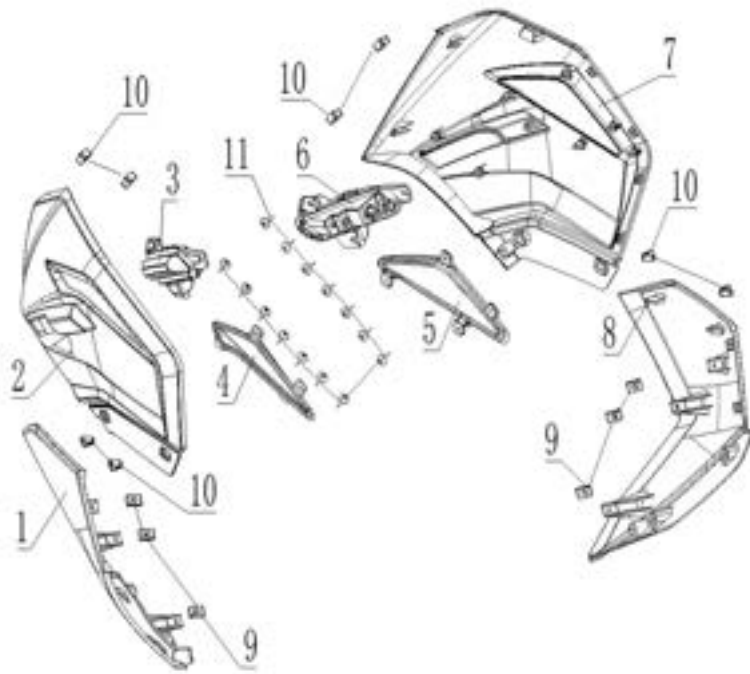


Part No.	Description	Qty per Vehicel
PMZ200-F4-M-001	FR COVER	1
PMZ200-F4-M-002	INNER,FRONT COVER	1
PMZ200-F4-M-003	FRONT L IGH T	1
PMZ200-F4-M-004	CLIP,LINE	2

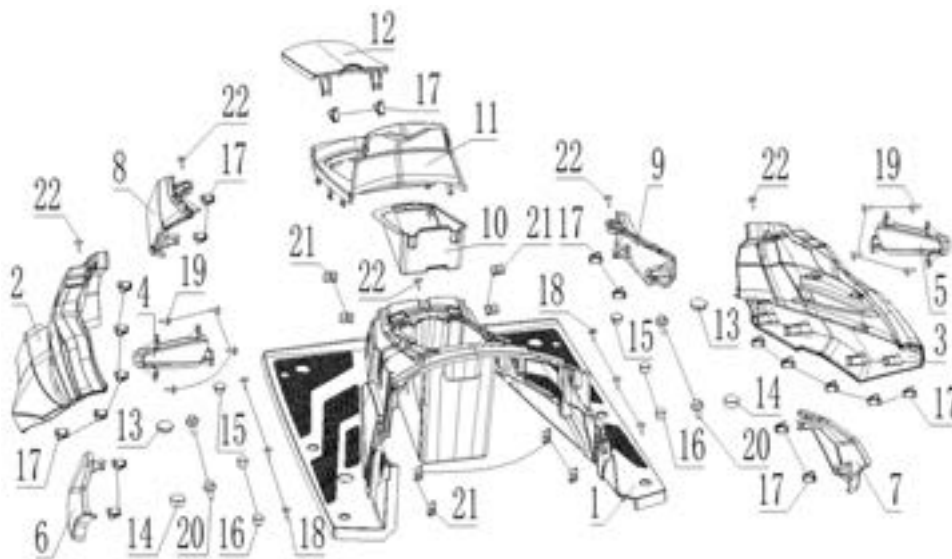
PMZ200-F4-M-005	PLASCTI CLIP	5
PMZ200-F4-M-006	NUT SPRING Φ 4.2	8
PMZ200-F4-M-007	SCREW ST4.2*12	2
PMZ200-F4-M-008	SCREW M6*16	1
PMZ200-F4-M-009	SCREW ST4.2*16	7



Part No.	Description	Qty per Vehicel
PMZ200-F4-N-001	TOOL BOX	1
PMZ200-F4-N-002	COVER,TOOL BOX	1
PMZ200-F4-N-003	HOOK,TOOL BOX	1
PMZ200-F4-N-004	SPACER TOOL BOX	1
PMZ200-F4-N-005	VIN COVER	1
PMZ200-F4-N-006	SCREW ST4.8*16	8
PMZ200-F4-N-007	SCREW ST4.2*16	2
PMZ200-F4-N-008	SCREW ST4.2*12	2
PMZ200-F4-N-009	NUT SPRING Φ 4.2	1
PMZ200-F4-N-010	BOLT M6*30	1

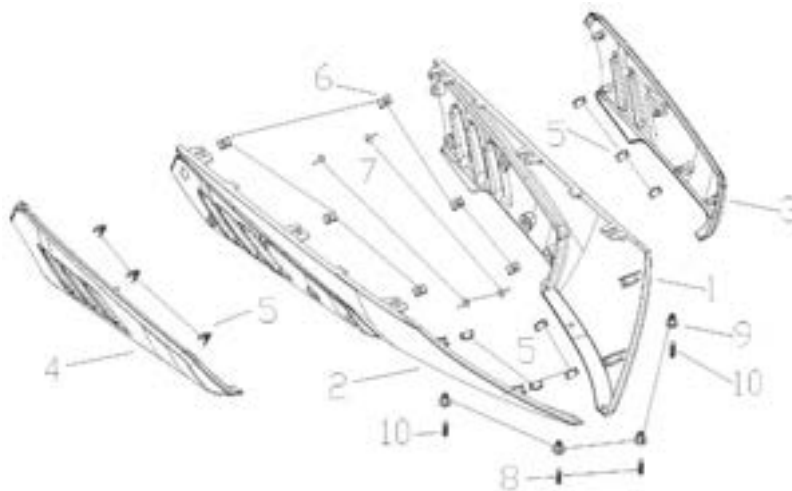


Part No.	Description	Qty per Vehicle
PMZ200-F4-O-001	DOWN MOLD LEFT FR,ABS	1
PMZ200-F4-O-002	FRONT COVER L,ABS	1
PMZ200-F4-O-003	Fr turning light,L	1
PMZ200-F4-O-004	cover,FRONT COVER L,ABS	1
PMZ200-F4-O-005	cover,FRONT COVER R,ABS	1
PMZ200-F4-O-006	Fr turning light,R	1
PMZ200-F4-O-007	FRONT COVER R,ABS	1
PMZ200-F4-O-008	DOWN MOLD RIGHT FR,ABS	1
PMZ200-F4-O-009	NUT SPRING Φ 4.2	6
PMZ200-F4-O-010	PLASCTI CLIP	8
PMZ200-F4-O-011	SCREW ST4.2*12	14



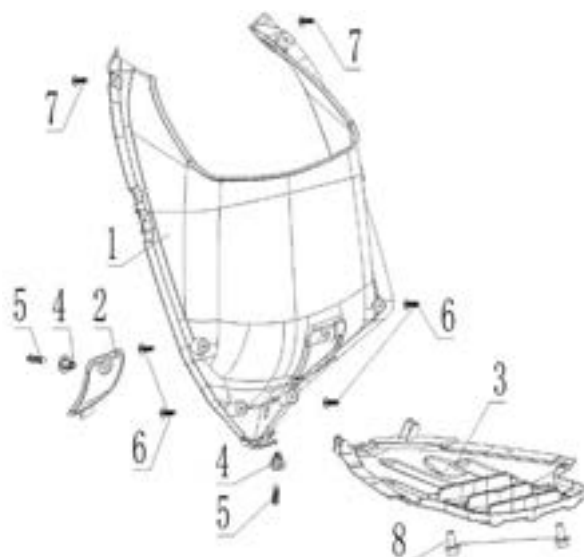
Part No.	Description	Qty per Vehicle
PMZ200-F4-P-001	FOOT PANEL	1
PMZ200-F4-P-002	L,UP COVER,FOOT PANEL.	1

PMZ200-F4-P-003	R,UP COVER,FOOT PANEL	1
PMZ200-F4-P-004	L,SMALL COVER,FOOT PANEL.	1
PMZ200-F4-P-005	R,SMALL COVER,FOOT PANEL	1
PMZ200-F4-P-006	LR COVER,FOOT PANEL.	1
PMZ200-F4-P-007	RR COVER,FOOT PANEL	1
PMZ200-F4-P-008	L,DECO COVER,FOOT PANEL.	1
PMZ200-F4-P-009	R,DECO COVER,FOOT PANEL	1
PMZ200-F4-P-010	INNER COVER,BATTERY	1
PMZ200-F4-P-011	MID COVER,PANEL	1
PMZ200-F4-P-012	BATTERY COVER	1
PMZ200-F4-P-013	FL,RUBBER,FOOT PANEL	2
PMZ200-F4-P-014	RL,RUBBER,FOOT PANEL	2
PMZ200-F4-P-015	FL,RUBBER,SIDE COVER	2
PMZ200-F4-P-016	RL,RUBBER,SIDE COVER	4
PMZ200-F4-P-017	PLASCTI CLIP	20
PMZ200-F4-P-018	SCREW ST4.8*16	6
PMZ200-F4-P-019	SCREW ST4.2*12	8
PMZ200-F4-P-020	BOLT M6*16	4
PMZ200-F4-P-021	NUT SPRING Φ 4.2	8
PMZ200-F4-P-022	SCREW ST4.8*16	5

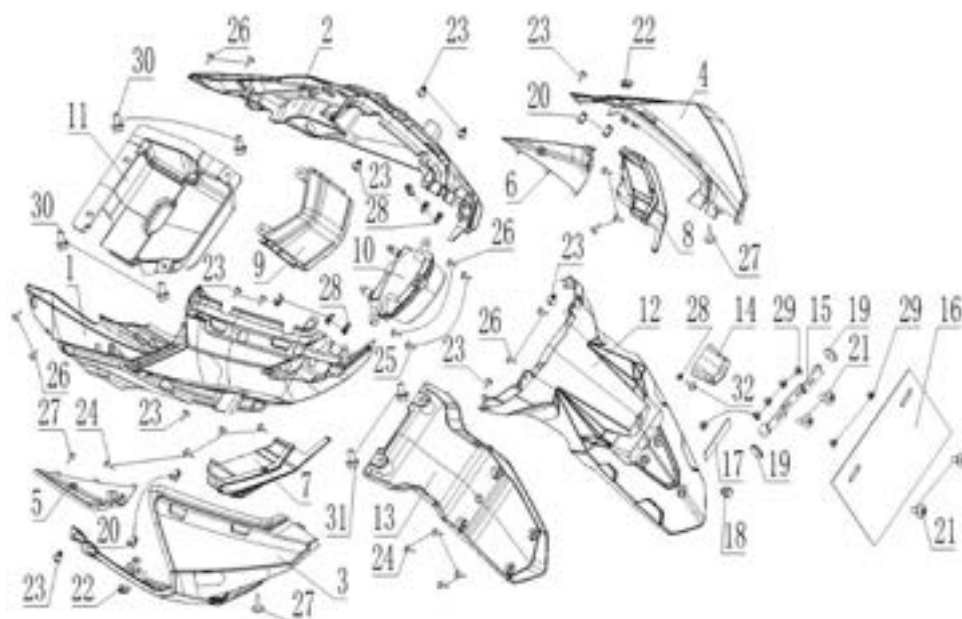


Part No.	Description	Qty per Vehicel
PMZ200-F4-Q-001	SIDE COVER,L	1
PMZ200-F4-Q-002	SIDE COVER,R	1
PMZ200-F4-Q-003	RR,SIDE COVER,L	1
PMZ200-F4-Q-004	RR,SIDE COVER,R	1
PMZ200-F4-Q-005	PLASCTI CLIP	10
PMZ200-F4-Q-006	NUT SPRING Φ 4.2	6
PMZ200-F4-Q-007	SCREW ST4.2*12	4

PMZ200-F4-Q-008	EXPANSION NAIL	2
PMZ200-F4-Q-009	EXPANSION NAIL, body	4
PMZ200-F4-Q-010	EXPANSION NAIL	2

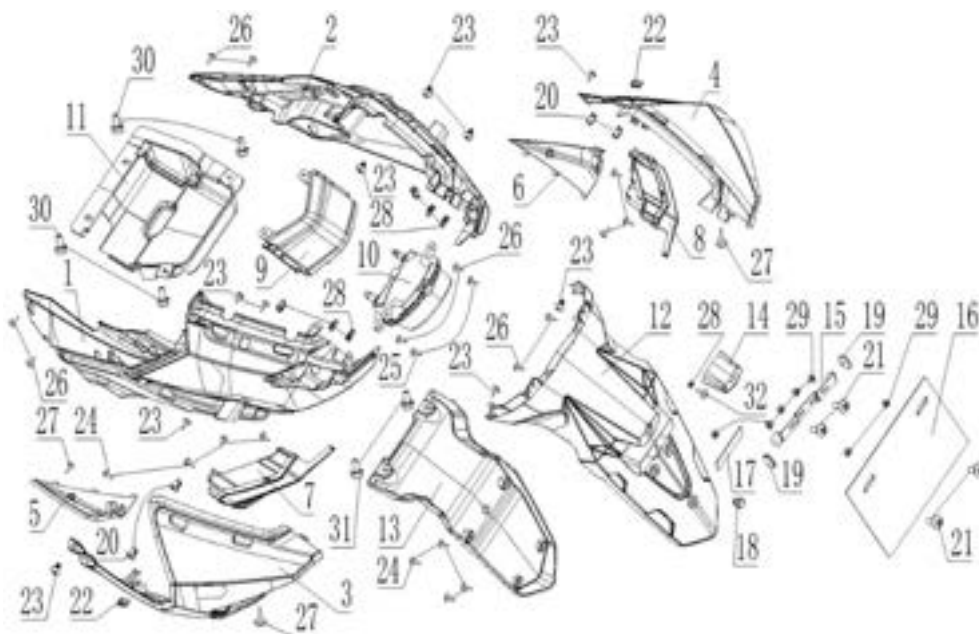


Part No.	Description	Qty per Vehicle
PMZ200-F4-R-001	FRONT FENDER INNER	1
PMZ200-F4-R-002	EXPANSION TANK COVER	1
PMZ200-F4-R-003	COVER UNDER	1
PMZ200-F4-R-004	EXPANSION NAIL, BODY	2
PMZ200-F4-R-005	EXPANSION NAIL	2
PMZ200-F4-R-006	SCREW ST4.8*16	4
PMZ200-F4-R-007	SCREW ST4.8*16	2
PMZ200-F4-R-008	BOLT M6*12	2



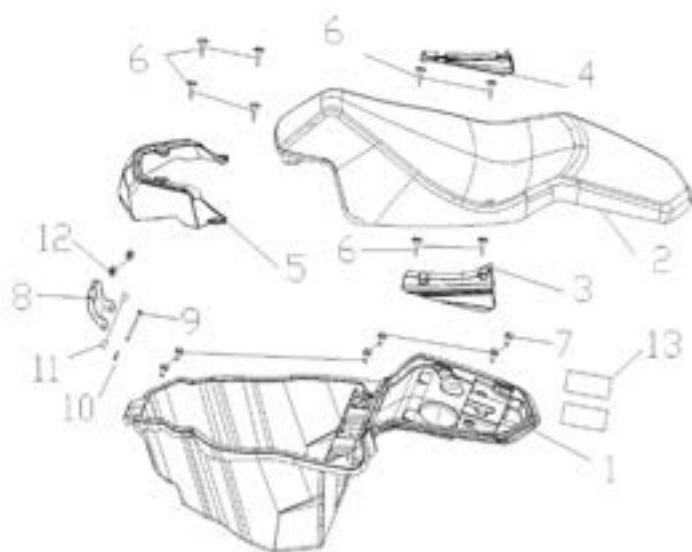
Part No.	Description	Qty per Vehicle
PMZ200-F4-S-001	MOLD LEFT RR	1
PMZ200-F4-S-002	MOLD RIGHT RR	1

PMZ200-F4-S-003	MOLD LEFT RR	1
PMZ200-F4-S-004	MOLD RIGHT RR	1
PMZ200-F4-S-005	DEC COVER,MOLD LEFT RR	1
PMZ200-F4-S-006	DEC COVER,MOLD RIGHT RR	1
PMZ200-F4-S-007	LEFT TURNING LIGHT	1
PMZ200-F4-S-008	RIGHT TURNING LIGHT	1
PMZ200-F4-S-009	COVER TAILLIGHT	1
PMZ200-F4-S-010	TAIL LIGHT	1
PMZ200-F4-S-011	REAR COVER,FRAME	1
PMZ200-F4-S-012	REAR FENDER	1
PMZ200-F4-S-013	LOWER COVER,REAR FENDER	1
PMZ200-F4-S-014	LIGHT,LICENSEN PLATE	1
PMZ200-F4-S-015	BRACKET,LICENSE PLATE	1
PMZ200-F4-S-016	REAR REFLECTOR	1
PMZ200-F4-S-017	RUBBER,PLATE	1



Part No.	Description	Qty per Vehicel
PMZ200-F4-S-019	SIDE REFLECTOR, REAR	2
PMZ200-F4-S-020	PLASCTI CLIP	4
PMZ200-F4-S-021	BOLT M6*16	4
PMZ200-F4-S-022	NUT SPRING Φ4.2	8
PMZ200-F4-S-023	SCREW ST4.2*12	16
PMZ200-F4-S-024	SCREW ST4.2*12	6
PMZ200-F4-S-025	SCREW ST4.2*16	2
PMZ200-F4-S-026	SCREW ST4.8*16	8
PMZ200-F4-S-027	SCREW ST4.8*16	4
PMZ200-F4-S-028	NUT M5	1

PMZ200-F4-S-029	NUT M6	7
PMZ200-F4-S-030	BOLT M6*12	4
PMZ200-F4-S-031	BOLT M6*16	2
PMZ200-F4-S-032	SCREW M5*12	2



Part No.	Description	Qty per Vehicel
PMZ200-F4-T-001	LUGGAGE BOX ASSY	1
PMZ200-F4-T-002	SEAT	1
PMZ200-F4-T-003	SEAT COVER L	1
PMZ200-F4-T-004	SEAT COVER R	1
PMZ200-F4-T-005	COVER SEAT FR	1
PMZ200-F4-T-006	SCREW ST4.2*12	8
PMZ200-F4-T-007	BOLT M6*12	6
PMZ200-F4-T-008	SWING ARM,SEAT	1
PMZ200-F4-T-009	PIN,SWING ARM SEAT	1
PMZ200-F4-T-010	PIN	1
PMZ200-F4-T-011	BUSHER,SWING ARM SEAT	2
PMZ200-F4-T-012	NUT M6	2
PMZ200-F4-T-013	RUBBER SUPPORTER,SEAT	2