

# USER'S MANUAL

Minimum recommended operator age of SK11: 6



## WARNING

**Read this guide thoroughly. It contains important safety information.**

**Always follow this age recommendation.**

**Age 6 older for SK11 keep this Operator's Guide in this vehicle.**

**WARNING: THIS VEHICLE IS NOT FOR RACING!**



**SK11**

**BEFORE OPERATING THIS VEHICLE, THE OWNER AND EACH OPERATOR MUST HAVE READ AND HAVE AN UNDERSTANDING OF ALL THE INSTRUCTIONS FOR PROPER ASSEMBLY AND SAFE OPERATION, AS WELL AS THE INSTRUCTIONS CONCERNING THE ENGINE AND ALL OTHER PORTIONS OF VEHICLE.**

## Owner's Manual Introduction

---



### **FOR OFF-ROAD USE ONLY**

This vehicle is designed and manufactured for off-road use only.

It is illegal and unsafe to operate this machine on any public street, road and highway.

This vehicle complies with all applicable off-road noise level and spark arrestor laws and regulation in effect at the time of manufacture.

Vehicle reserves the right to make changes at any time without notice and without incurring any obligation.

This publication includes the latest production information available before printing.

No part of this publication may be reproduced without written permission.

Please check your local riding laws and regulations before operating this machine.

# Contents

---

These pages give an overview of the contents of your owner's manual

<b>Introduction</b> .....	1
<b>A Few Words About Safety</b> .....	2
<b>Safety Information</b> .....	3
<b>Safety Labels</b> .....	4
<b>Pre-Operation Checks</b> .....	9
<i>Fuel</i> .....	11
<i>Engine Oil</i> .....	11
<i>Radiator</i> .....	11
<i>Throttle Lever</i> .....	12
<i>Drive Chain</i> .....	12
<i>Tires</i> .....	12
<i>Chassis Fasteners</i> .....	13
<i>Instrument, Lights And Switches</i> .....	13
<b>Operation</b> .....	14
<i>To Start Out And Accelerate</i> .....	14
<i>To Decelerate</i> .....	14
<i>Engine Break-In</i> .....	15
<b>Control Functions</b> .....	16
<b>Periodic Service</b> .....	23
<b>Component Inspection</b> .....	25
<b>Circuit Diagram</b> .....	31
<b>Appearance Care</b> .....	32
<b>Preparing for a Ride</b> .....	34
<b>Transporting your Vehicle</b> .....	35
<b>You &amp; the Environment</b> .....	36
<b>Taking Care of the Unexpected</b> .....	37
<b>Technical Information</b> .....	41
<b>Specification</b> .....	42
<b>Warranty</b> .....	43

# Introduction

---

Thank you for your purchase SK11

This manual will provide you with a clear understanding of the details and operation of this vehicle. This manual includes all of the necessary safety information. It provides information necessary to ride your vehicle and also includes basic service and inspection procedures.

For complete manuals on your particular ATV please visit our website and view your ATV product to find the Downloadable manual.

## AN IMPORTANT SAFETY MESSAGE

- Read this manual carefully and completely before operating your vehicle. Make sure you understand all instructions.
- Pay close attention to the warning and caution labels on the vehicle.
- Never operate an ATV without proper training or instruction.

## IMPORTANT MANUAL INFORMATION

Failure to follow the warnings contained in this manual can result in **serious injury or death**.

Particularly important information is distinguished in this manual by the following notations:

<b>▲WARNING</b>	Failure to follow <b>WARNING</b> instructions could result in severe injury or death to the vehicle operator a bystander or a person inspecting or repairing the vehicle
<b>▲CAUTION</b>	A <b>CAUTION</b> indicates special precautions that must be taken to avoid damage to the vehicle
<b>NOTICE</b>	A <b>NOTICE</b> provides key information to make procedures easier or clearer

## A Few Words About Safety

---

Your safety, and the safety of others, is very important. And operating this ATV safely is an important responsibility.



You **WILL** be **KILLED** or **SERIOUSLY HURT** if you don't follow instructions.



You **CAN** be **KILLED** or **SERIOUSLY HURT** if you don't follow instructions.



You **CAN** be **HURT** if you don't follow instructions.

### **WARNING**



Always use an approved helmet & protective gear

Never use public roads



Never carry passengers

Never use with drugs or alcohol



Risk of rollover even on flat terrain

This section presents some of the most important information and recommendations to help you ride your motorcycle safely. Please take a few moments to read these pages. This section also includes a special message for parents and location information for the safety labels on your motorcycle.

## Safety Information

---

To drive an ATV is a serious matter and can be hazardous to operate. An ATV handles differently from other vehicles including motorcycles and cars. A collision or rollover can occur quickly, even during routine maneuvers such as turning and riding on hills or over obstacles, if you fail to take proper precautions.

**SEVERE INJURY OR DEATH** can result if you do not follow these instructions:

- Never carry a passenger on an ATV.
- Always avoid operating an ATV on any paved surfaces, including sidewalks, driveways, parking lots and streets.
- Never operate an ATV on any public street, road or highway nor a dirt or gravel one.
- Never operate an ATV without wearing an approved motorcycle helmet that fits properly. You should also wear eye protection (goggles or face shield), gloves, boots, long-sleeved shirt, or jacket, and long pants.
- Never consume alcohol or drugs before or while operating this ATV.
- Never operate at speeds too fast for your skills or the conditions.
- Never attempt wheelies, jumps, or other stunts.
- Always inspect your ATV each time you use it to make sure it is in safe operating conditions.
- Always follow the inspection and maintenance procedures and schedules described in this manual.
- Always keep both hands on the handlebars and both feet on the foot boards of the ATV during operation.
- Never operate the ATV in fast flowing water or in water deeper than 25cm (10in).
- Always use the size and type tires specified in this manual. Always maintain proper tire pressure as described in this manual.
- Never modify the ATV through improper installation or use of accessories.
- Never exceed the stated load capacity for an ATV. Cargo should be properly distributed and securely attached. Reduce speed and follow instructions in this manual for carrying cargo or pulling a trailer. Allow greater distance for braking while transporting cargo.



Always turn off the engine when refueling.  
Don't start or run the engine in a closed area to avoid potential hazard.

## Safety Labels

---

### RISK OF ROLLOVER



Quad bikes are dangerous and could roll over causing injury or death to the operator.

The risk of a rollover increases if the quad bike is travelling on uneven ground or slopes, travelling at high speed, towing an attachment or carrying a heavy or unstable load.

Risks of a serious incident are also increased when operators:

- \*are inexperienced
- \*carry passengers
- \*do not have the physical strength to ride actively
- \*are under the influence of alcohol or drugs
- \*are not wearing suitable personal protective equipment such as a helmet.
- \*Children are at greater risk of serious injury and death while operating quads. Adult sized quad bikes should not be operated by children. Even the smaller youth quads have been involved in fatal incidents in Australia.

Quad bike accidents are common and can happen very easily, so always take the necessary precautions to protect yourself and children.

### RIDE SAFE

- \*Always wear a helmet.
- \*Wear protective clothing and gear such as goggles, long sleeves, long pants, boots and gloves/hand protection.
- \*Never let children ride quad bikes that are meant for adults — even as passengers.
- \*Do not carry any passengers on quad bikes that are meant for one person.
- \*Ride on familiar tracks and beware of obstacles.
- \*Ensure children are supervised at all times near any quad bike activity.
- \*Always carry a mobile phone or radio device so you can contact for help in case of an emergency.

## Safety Labels

---

Read and understand all of the labels on your quad.

They contain information for safe proper operation of your quad.

Never remove any labels from your quad. If a label becomes difficult to read or comes off, a replacement label is available from your dealer.

ZheJiang Zhizhan Technology Co.Ltd. certifies that this ATV complies with the ANSI/SVIA 1-2017 Standard.

This vehicle is subject to Pacific Rim International West Inc.'s ATV action plan approved by U.S. Consumer Product Safety Commission.



## Safety Labels

**⚠ WARNING**

Improper ATV use can result in SEVERE INJURY or DEATH.

			
ALWAYS USE AN APPROVED HELMET AND PROTECTIVE GEAR	NEVER USE ON PUBLIC ROADS	NEVER CARRY PASSENGERS	NEVER USE WITH DRUGS OR ALCOHOL

**NEVER operate:**

- without proper training or instruction,
- at speeds too fast for your skills or the conditions.
- on public roads- a collision can occur with another vehicle.
- with a passenger-passengers affect balance and steering and increase risk of losing control.

**ALWAYS:**

- use proper riding techniques to avoid vehicle overturns on hills and rough terrain and in turns.
- avoid paved surfaces - pavement may seriously affect handling and control.

**LOCATE AND READ OWNER'S MANUAL.  
FOLLOW ALL INSTRUCTIONS AND WARNINGS.**

**⚠ WARNING**



**NEVER ride as a passenger.**  
Passengers can cause a loss of control, resulting in SEVERE INJURY or DEATH.

**⚠ WARNING**

Improper tire pressure or overloading can cause loss of control. Loss of control can result in severe injury or death.

- Cold tire pressure:  
Front: 6.5 psi (45kpa)  
Rear: 6.5 psi (45kpa)
- Maximum weight capacity: 265lbs.(120kg)

## Safety Labels



# Safety Labels

---

## Signal Words

The meaning of the different signal words as defined by the ANSI Z535.6 and ANSI Z535.4 standards may be provided in collateral materials. The following artwork may be used for this purpose.



DANGER indicates a hazardous situation which, if not avoided, will result in death or serious injury.



WARNING indicates a hazardous situation which, if not avoided, could result in death or serious injury.



CAUTION, used with the safety alert symbol, indicates a hazardous situation which, if not avoided, could result in minor or moderate injury.



NOTICE is used to address practices not related to personal injury.

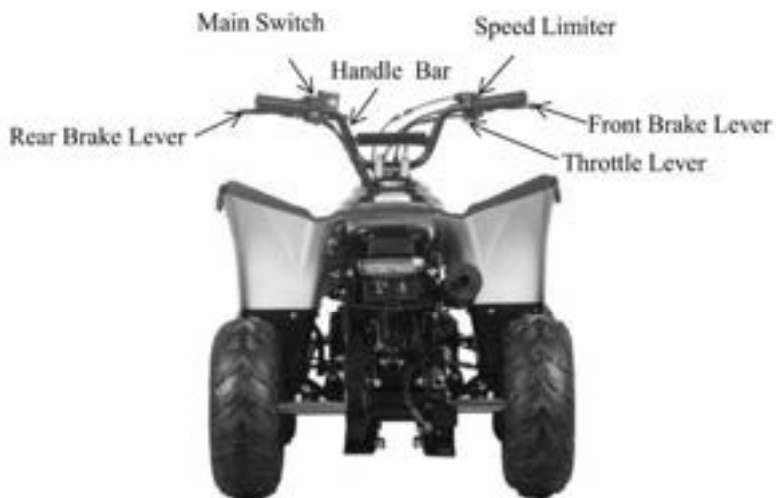


CAUTION, used without the safety alert symbol, is used to address practices not related to personal injury.

# Safety Labels

## LOCATION OF PARTS

---



## Pre-Operation Checks

### WARNING!

Failure to inspect or maintain the vehicle properly increases the possibility of an accident or equipment damage. Do not operate the vehicle if you find any problem. If a problem cannot be corrected by the procedures provided in this manual, have the vehicle inspected by your dealer.

ITEM	ROUTINE
Fuel	<ul style="list-style-type: none"><li>• Check fuel level in fuel tank, and add recommended fuel if necessary.</li><li>• Check fuel line for leakage. Correct if necessary.</li></ul>
Engine Oil	<ul style="list-style-type: none"><li>• Check oil level in engine, and add recommended oil to specified level if necessary.</li><li>• Check ATV for oil leakage. Correct if necessary.</li></ul>
Front Brake	<ul style="list-style-type: none"><li>• Check operation. If soft or spongy, have a dealer bleed hydraulic system.</li><li>• Check brake pads for wear, and replace if necessary.</li><li>• Check brake fluid level in reservoir, and add specified brake fluid to specified level if necessary.</li><li>• Check hydraulic system for leakage. Correct if necessary.</li></ul>
Rear Brake	<ul style="list-style-type: none"><li>• Check operation. If soft or spongy, have a dealer bleed hydraulic system.</li><li>• Check brake pads for water, and replace if necessary.</li><li>• Check brake fluid level in reservoir, and add specified brake fluid to specified level if necessary.</li><li>• Check hydraulic system for leakage. Correct if necessary.</li></ul>

## Pre-Operation Checks

---

Clutch	<ul style="list-style-type: none"><li>• Check operation, and correct if necessary.</li><li>• Lubricate cable if necessary.</li><li>• Check lever free play, and adjust if necessary.</li></ul>
Throttle Lever	<ul style="list-style-type: none"><li>• Make sure that operation is smooth. Lubricate cable and lever housing if necessary.</li><li>• Check lever free play, and adjust if necessary</li></ul>
Control Cables	<ul style="list-style-type: none"><li>• Make sure that operation is smooth. Lubricate if necessary.</li></ul>
Drive Chain	<ul style="list-style-type: none"><li>• Check chain slack, and adjust if necessary.</li><li>• Check chain condition. Lubricate if necessary.</li></ul>
Wheels and Tires	<ul style="list-style-type: none"><li>• Check wheel condition, and replace if damaged.</li><li>• Check tire condition and tread depth. Replace if necessary.</li><li>• Check air pressure. Correct if necessary.</li></ul>
Shift Pedal	<ul style="list-style-type: none"><li>• Make sure that operation is smooth.</li><li>• Correct if necessary</li></ul>
Brake Pedal	<ul style="list-style-type: none"><li>• Make sure that operation is smooth. Lubricate pedal pivoting point if necessary</li></ul>
Brake and Clutch Levers	<ul style="list-style-type: none"><li>• Make sure that operation is smooth. Lubricate lever pivoting points if necessary.</li></ul>
Chassis Fasteners	<ul style="list-style-type: none"><li>• Make sure that all nuts, bolts and screw are properly tightened.</li></ul>
Instruments, Lights and Switches	<ul style="list-style-type: none"><li>• Check operation, and correct if necessary.</li></ul>

## **Pre-Operation Checks**

---

### **FUEL**

Make sure that there is sufficient fuel in the tank.

### **ENGINE OIL**

Make sure that the engine oil is at the specified level. Add oil as necessary.

### **FRONT AND REAR BRAKES**

#### **Brake lever and brake pedal**

- **Check that there is no free play in the brake lever. If there is free play, have a dealer check the brake system.**
- **Check for correct brake pedal height. If the pedal height is incorrect, have a dealer adjust it.**
- **Check the operation of the lever and pedal. They should move smoothly and there should be a firm feeling when the brakes are applied. If not, have a dealer check the brake system.**

#### **BRAKE FLUID LEVEL**

Check the brake fluid level. Add fluid if necessary.

#### **BRAKE FLUID LEAKAGE**

Check to see if any brake fluid is leaking out of the pipe joints or brake fluid reservoirs. Apply the brakes firmly for one minute. If there is any leakage, have a dealer check the brake system.

#### **BRAKE OPERATION**

Test the brakes at slow speed after starting out to make sure they are working properly. If the brakes do not provide proper braking performance, check the brake pads for wear.

## Pre-Operation Checks

---

### THROTTLE LEVER

Check the operation of the throttle lever. It must open smoothly and spring back to idle position when released. Have a dealer correct if necessary.

### DRIVE CHAIN

Check the condition of the drive chain and check the drive chain slack. Lubricate and adjust the drive chain as necessary.

### TIRES

Check tire pressure tire gauge to check and adjust tire pressure when the tires are cold. Tire pressures must be equal on both sides.

### WARNING!

Operation of this vehicle with improper tire pressure may cause severe injury or death from loss of control or rollover. Tire pressure below the minimum specified could also cause the tire to dislodge from the rim under severe riding conditions.

Set tire pressures to the following specifications:

OPERATING PRESSURE	
Front	69 kPa (0.69 kgf/cm <sup>2</sup> , 10 psi)
Rear	69 kPa (0.69kgf/cm <sup>2</sup> , 10 psi)
MAXIMUM TIRE SEATING PRESSURE	
Front	165 kPa (1.65 kgf/cm <sup>2</sup> , 24 psi)
Rear	165 kPa (1.65 kgf/cm <sup>2</sup> , 24 psi)

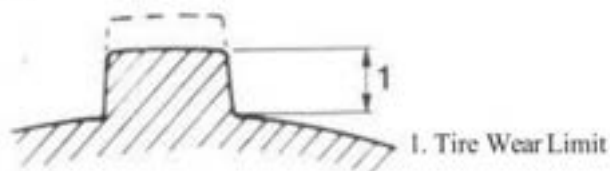
The lower-pressure the gauge is included as standard equipment. Make two measurements of the tire pressure and use the second reading. Dust or dirt in the gauge could cause the first reading to be incorrect.

## Pre-Operation Checks

---

### TIRE WEAR LIMIT

When the tire groove decreases to 3 mm (0.12 in) due to wear, replace the tire.



### TIRE INFORMATION

This ATV is equipped with tubeless tires with valves.

### WARNING!

Use of improper tires on this ATV may cause loss of control, increasing your risk of an accident.

After extensive tests, only the tires listed below have been approved for this model.

FRONT	
Size	16*8.00-7
Type	Tubeless
REAR	
Size	16*8.00-7
Type	Tubeless

### AFTERMARKET TIRES AND RIMS

The tires and rims that came with your ATV were designed to match the performance capabilities and to provide the best combination of handling, braking, and comfort. Other tires, rims, sizes, and combinations may not be appropriate.

### CHASSIS FASTENERS

Make sure that all nuts, bolts and screw are properly tightened.

### INSTRUMENTS, LIGHTS AND SWITCHES

Check that all instruments, lights and switches are working properly.

## Operation

---

### **WARNING!**

To operate ATV without being familiar with all controls is extremely dangerous. Freezing control cables in cold weather is extremely dangerous. Make sure everything is working smoothly before starting.

### **TO START OUT AND ACCELERATE**

1. Release the parking brake.
2. Open the throttle gradually.
3. Once the vehicle has attained adequate speed, release the throttle lever.
4. Open the throttle gradually.

### **TO DECELERATE**

When slowing down or stopping, release the throttle and apply the brakes smoothly and evenly.



# Operation

---

## ENGINE BREAK-IN

### NOTE:

The first 20hrs for engine break-in is very important, never exceed the running condition listed below:

- **0~10 - HOURS**

Avoid continuous operation above half throttle. Allow a cooling off period of five to ten minutes after every hour of operation. Vary the speed of the vehicle from time to time. Do not operate it at one set throttle position.

- **10~20 - HOURS**

Avoid prolonged operation above 3/4 throttle. Rev the vehicle freely, but do not use full throttle at any time.

- **AFTER BREAK-IN**

Avoid prolonged full throttle operation. Vary speeds occasionally.

- **PARKING**

When parking, stop the engine. Turn the fuel tap to "OFF" and apply the parking brake.

- **PARKING ON THE SLOPE**

Avoid parking on slopes. If you must park on an incline, apply the parking brake, and block the wheels with rocks or other objects.

### NOTE:

#### MAX LOADING LIMIT

Vehicle loading limit (total weight or cargo, rider and accessories, and tongue weight): 60kg (132lbs).

## Control Functions

---

### **WARNING!**

Gasoline is extremely flammable and toxic. Always observe the following precautions when refueling your ATV.

- Never permit vehicle refueling by anyone other than an adult.
- Refuel in a well-ventilated area.
- Make sure the engine is off and avoid spilling fuel on a hot engine.
- Do not smoke; make sure that there are no open flames or sparks in the area.
- Avoid prolonged contact with skin and breathing of gasoline vapors.
- Keep children and pets away during refueling.

### **MAIN SWITCH**

Functions of the respective switch position are as follows:

**ON:** Engine can be started only at this position.

**OFF:** All electrical circuits are switched off. The key can be removed in this position.



## Control Functions

---

### THROTTLE

Once the engine is running, movement of the throttle lever will increase the engine speed. Regulate the speed of the engine by varying the throttle position. Because the throttle is spring-loaded, the engine will decelerate, and the engine will return to an idle any time your finger is removed from the throttle to be sure it is operating smoothly. Make sure it returns to the idle position as soon as the lever is released.



# Control Functions

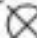
---

## HANDLEBAR SWITCHES



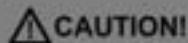
1. Engine Stop Switch (Red)
2. Lights Switch
3. Start Switch

## ENGINE STOP SWITCH

The engine stop switch controls the ignition and can be used at all times to stop the engine, especially in an emergency. The engine will not start or run when the engine stop switch is turned to .

## START SWITCH

The starter motor cranks the engine when this switch is pushed.



See starting instructions prior to starting engine

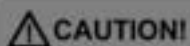
---

Lights switch

Turn the switch on for front light and taillight  
(option accessory)

## Control Functions

---



Do not use the headlight with the engine turned off for more than 20 minutes. The battery may discharge to the point that the starter motor will not operate properly. If this should happen, remove the battery and recharge it, replace if necessary.

### REAR BRAKE LEVER

The brake lever is located on the left side of the handle bar. Pull down on the lever to apply rear brake.

### PARKING BRAKE

Apply the brake lever and then press down the stop-button to apply the parking brake. Squeeze the rear brake lever to release the parking brake.



## Control Functions

---

### SPEED LIMITER

The speed limiter keeps the throttle from fully opening, even when the throttle lever is pushed to the furthest position. Screwing in the adjuster limits the maximum engine power available and decreases the maximum speed of the ATV. For children's safety, the ATV has been adjusted to a speed under 15km/h (9.3 mph).



### **WARNING!**

Do not turn the speed adjuster out more than 12mm (0.47in.)  
Always make sure the throttle lever free play is 3–5mm (0.12–0.20in.)

### SEAT

To remove the seat, pull the seat lock lever upward and pull up the seat at the rear.

To install the seat, insert the lobe on the seat front into the receptacle on the frame and push down the seat at the rear.

## Control Functions

---

### FUEL TANK CAP

Remove the fuel tank cap by turning it counterclockwise. Automotive gasoline with octane number of 91 or higher may be used. After refueling, be sure to tighten the tank cap firmly.



### FRONT BRAKE LEVER

The brake lever is located on the right side of the handlebar. Pull down the lever to apply the front brake.



## Control Functions

---

### FRONT SHOCK ABSORBER ADJUSTMENT

The spring preload can be adjusted to suit the vehicle's load and riding conditions.

Spring preload adjustment:

- To increase the spring preload, turn the adjuster in direction a.
- To decrease the spring preload, turn the adjuster in direction b.



### REAR SHOCK ABSORBER ADJUSTMENT

The spring preload can be adjusted to suit the vehicle's load and riding conditions.

Spring preload adjustment:

- To increase the spring preload, turn the adjuster in direction a.
- To decrease the spring preload, turn the adjuster in direction b.



# Periodic Service

## PERIODIC SERVICE / LUBRICATION

Items	Maintenance period						
	Odometer (km)						Everyday check before riding
	50 0	300 0	600 0	90 00	120 00	150 00	
**Re-seating Valve		I	I	I	I	I	
**Spark Plug		I	I	I	I	R	
**Fuel System		I	I	I	I	I	
*Engine Oil	R	R	R	R	R	R	I
*Valve Gap		I	I	I	I	I	
*Idle Speed		I	I	I	I	I	I
*Engine Bolt		I	I	I	I	I	
*Oil Filter		C	C	R	C	C	
*Fuel Filter		I	I	I	R	I	
*Air Cleaner		C	C	C	R	C	
*Drive Chain		I	I	I	I	I	
Engine Mount		I	I	I	I	I	
Fuel Line		I	I	I	I	I	
Throttle Operation		I	I	I	I	I	I
Brake Shoes/Pad Wear		I	I	I	I	I	
Brake System		I	I	I	I	I	
Brake Light Switch		I	I	I	I	I	
Brake Liquid		I	I	I	I	I	
Clutch		I	I	I	I	I	
Suspension		I	I	I	I	I	
Nuts, Bolts, Fasteners		I	I	I	I	I	
Wheel/Tyre		I	I	I	I	I	I
Steering System		I	I	I	I	I	

## Periodic Service

---



**WARNING!**

Never service the engine while still running!

## Component Inspection

---

### Periodic Maintenance Record

Use the following chart to record periodic maintenance work:

Maintenance Interval Performed	KM (MILES)	Servicing Date	Servicing Dealer or Person	Remark
Initial 1 month				
2month				
3month				
4 month				
5 month				
6 month				
7 month				
8 month				

# Component Inspection

---

## ENGINE

Left hand side



Right hand side



## SPECIFICATIONS

72cc, 4 Stroke, Single Cylinder, Air Cooled

12v, C.D.I., Electric Start

Max Power: 3.7Kw/8000rpm approx.

Max Torque: 5.0Nm/6000rpm approx.

Transmission: Auto Clutch

## ENGINE OIL

### 1. Engine oil level measurement

- a. Place the vehicle on a level surface.
- b. Warm up the engine for several minutes and stop it.
- c. Wait a few minutes until the oil level settles before checking.
- d. Remove the dipstick and wipe it off with a clean rag. Insert the dipstick in the filler hole without screwing it in.
- e. Remove the dipstick and inspect the oil level.
- f. The oil level should be between the maximum and minimum marks. If the level is low, add oil to raise it to the proper level.



**CAUTION!**

Be sure no foreign materials enter the crankcase.

## Component Inspection

---

2. Engine oil replacement and oil strainer cleaning
  - a. Place the vehicle on a level surface.
  - b. Warm up the engine for several minutes to stop it.
  - c. Place a container under the engine.
  - d. Remove the dipstick and drain plug to drain the oil.

### IDLE SPEED ADJUSTMENT

#### NOTE:

A diagnostic tachometer must be used for this procedure.

1. Start the engine and warm it up for a few minutes at approximately 1000 to 2000 r/min. Occasionally rev the engine to 4000 to 5000 r/min. Once the engine is warm when it quickly responds to the throttle.
2. Connect a tachometer and set the idle to the specified idling speed by adjusting the throttle stop screw. Turn the screw into increase engine speed and out to decrease engine speed.

#### SPECIFIED IDLE SPEED: 1500RPM $\pm$ 100



Idle Speed  
Adjusting Screw

# Component Inspection

---

## THROTTLE LEVER ADJUSTMENT

### NOTE:

Adjust the engine idling speed before adjusting the throttle lever free play.

1. Loosen the lock nut.
2. Turn the adjusting bolt until the throttle lever free play is 3 ~ 5 mm (0.12 ~ 0.20 in.).
3. Tighten the locknut.



The rear brake free play should be 20 ~ 25 mm (0.80 ~ 1.0 in.). If the free play is incorrect, adjust it as follows:

1. Raise the rear side of vehicle to make rear tires leave from the ground.
2. Turn the rear wheels and turn the bolt and nuts on these 2 positions to adjust the caliper only with a suitable brake condition.

## Component Inspection

---

3. Tighten the nuts and test the adjustment result, if it's still not adequate, do the same process again.



### BRAKE LEVER LUBRICATION

Lubricate the pivot of each lever and pedal.  
Please use SAE 10W40 motor oil.

### FUSE REPLACEMENT

If the fuse is blown, turn off the main switch and install a new fuse of the specified amperage. Then turn on the switches. If the fuse immediately blows again, consult your dealer.

Specified Fuse: A/250V

#### I. MAIN FUSE

Never use an improper fuse.



**WARNING!**

An improper fuse can cause damage to the electrical system which could lead to fire.



**CAUTION!**

To prevent accidental short-circuiting, turn off the main switch when checking or replacing a fuse.

## Circuit Diagram

---

### BATTERY ASK FOR NO REPLACEMENT

1. Old style battery will corrode and discharge if not maintained. The battery fluid should be checked at least once a month
2. SK11 adopts new style battery asks for no replenishment. Just enjoy easy use and sound performance.

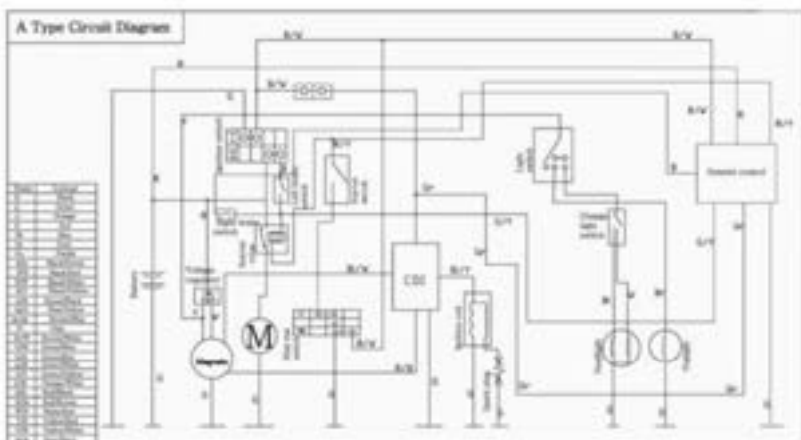


### DRIVE CHAIN

The condition and adjustment of the drive chain should be checked once a month. Always follow the guidelines below for inspection and servicing the chain.

# Circuit Diagram

---



## Appearance Care

---

Frequent cleaning and polishing will keep your Vehicle looking newer longer. Frequent cleaning also identifies you as an owner who values your ATV. A clean ATV is also easier to inspect and service.

While you're cleaning, be sure to look for damage, wear, and gasoline or oil leaks.

### GENERAL RECOMMENDATIONS

- To clean your ATV, you may use:
  - Water
  - A mild, neutral detergent and water
  - A mild spray and wipe cleaner/polisher
  - A mild spray and rinse cleaner/degreaser and water
- Avoid products that contain harsh detergents or chemical solvents that could damage the metal, paint, and plastic on your ATV.
- If your ATV is still warm from recent operation, give the engine and exhaust system time to cool off.
- We recommend the use of a garden hose to wash your ATV. High pressure washers (like those at coin-operated car washes) can damage certain parts of your ATV. If you use a high pressure washer, avoid spraying the following areas:
  - air filter
  - wheel hubs
  - muffler outlet
  - area under seat
  - engine stop switch
  - under fuel tank
  - carburetor
  - drive chain

#### **NOTE:**

High pressure water (or air) can damage certain parts of your ATV.

## Appearance Care

---

### WASHING YOUR ATV WITH A MILD DETERGENT

1. Rinse your ATV thoroughly with cool water to remove loose dirt.
2. Fill a bucket with cool water. Mix in a mild, neutral detergent, such as dish washing liquid or a product made especially for washing ATV
3. Wash your ATV with a sponge or a soft towel. As you wash, check for heavy grime. If necessary, use a mild cleaner/degreaser to remove the grime.
4. After washing, rinse your ATV thoroughly with plenty of clean water to remove any residue.
5. Dry your ATV with a chamois or a soft towel. Leaving water on the surface to air dry can cause dulling and water spots. As you dry, inspect for chips and scratches.
6. Lubricate the drive chain to prevent rusting.
7. Start the engine and let it idle for several minutes. The engine heat will help dry moist areas.
8. As a precaution, ride at a slow speed and apply the brakes several times. This will help
9. dry the brakes and restore normal braking
10. performance.

### EXHAUST PIPE AND MUFFLER MAINTENANCE

When the exhaust pipe and muffler are painted, do not use a commercially available abrasive kitchen cleaning compound. Use a neutral detergent to clean the painted surface on the exhaust pipe and muffler. If you are not sure if your exhaust pipe and muffler are painted, contact your dealer.

### TIPS

Here's helpful advice on how to prepare for an off-road adventure, how to transport and store your Vehicle unit, and how to be an environmentally responsible ATV owner.

Spraying WD40 or similar product on metal parts will help protect the ATV (*never spray WD40 near the brakes*)

## Preparing for a Ride

---

A safe and enjoyable ride begins with good planning and preparation. Always ride with at least one other person in case you have trouble, and let someone know where you're going and when you expect to return.

Before riding in an unfamiliar area, find out in advance if you need special permits, get maps so you can study the terrain, and talk to other riders who know the area. The Forest Service and the Bureau of Land Management (USA only), the Ministry of Natural Resources (Canada only), riding clubs, and off-road magazines are good sources of information.

### WHAT TO TAKE TO THE RIDING AREA

Along with your ATV and riding gear, you should take along some tools and supplies in case you have a problem.

We recommend that you always take water, food, a first aid kit, and your owner's manual. Other items you should consider loading on your truck or trailer include:

- a tool kit
- tire repair supplies and tools, tubes, and tires
- extra parts, such as a drive chain and master links, control levers, air filter, cables, and spark plugs
- wire, duct tape, and rope
- extra gasoline

For safety, all refueling should be done at a gas station on the way to the riding area or at your base camp.

## Transporting your Vehicle

---

If you use a truck or ATV trailer to transport your Vehicle, we recommend that you follow these guidelines:

- Use a loading ramp.
- Make sure the fuel valve is off.
- Secure the ATV in an upright position, using tie-down straps. Avoid using rope, which can loosen and allow the ATV to fall over.



To secure your Vehicle ATV, brace the front wheel against the front of the truck bed or trailer rail. Attach the lower ends of two straps to the tie-down hooks on your vehicle. Attach the upper ends of the straps to the handlebar (one on the right side, the other on the left), close to the fork.

### WHAT TO TAKE ON THE TRAIL

What you take with you during a ride depends on the kind of terrain, how long you expect to ride, how far you might go from your base camp or help, and how experienced you or your companions are in making repairs.

If you decide to take some tools, spare parts, or other supplies on the trail, be sure you can carry them safely and know how to use them. Also, be sure to follow the loading guidelines and weight limit.

## You & the Environment

---

Owning and riding a ATV can be enjoyable, but you must do your part to protect nature. When you show respect for the land, wildlife, and other people, you also help preserve the sport of off-road riding.

Following are tips on how you can be an environmentally responsible ATV owner.

**Tread Lightly** - Stay on existing roads and trails, avoid surfaces that are easily damaged, and ride only in areas approved for off-road vehicles

**Keep the Noise Down** - Loud ATVs can be offensive. Ride as quietly as possible, don't remove your spark arrester, and don't modify the muffler or any other part of your air intake and exhaust systems. Such modifications not only increase noise, they also reduce engine performance and may be illegal.

**Choose Sensible Cleaners** - Use a biodegradable detergent when you wash your ATV. Avoid aerosol spray cleaners that contain chlorofluorocarbon (CFCs) which damage the atmosphere's protective ozone layer. Don't throw cleaning solvents away; see the following guidelines for proper disposal.

**Recycle wastes** - It's illegal and thoughtless to put used engine oil in the trash, down a drain, or on the ground. Used oil, gasoline, and cleaning solvents contain poisons that can hurt refuse workers and contaminate our drinking water, lakes, rivers, and oceans. Before changing your oil, make sure you have the proper containers. Put oil and other toxic wastes in separate sealed containers and take them to a recycling center. Call your local or state office of public works or environmental services to find a recycling center in your area and get instructions on how to dispose of non-recyclable wastes.

## Taking care of the Unexpected

---

With all the challenges you can encounter off-road, there's a chance that sometime something may go wrong. This section gives practical advice to help you deal with a wide range of problems. Take time to read this section before you ride.

### GENERAL GUIDELINES

If something goes wrong during a ride, the first thing to do is stop as soon as you safely can. Do not continue riding if you have a flat tire, or you hear an unusual noise, or your ATV just doesn't feel right. If you continue riding, you could cause more damage and endanger your own safety.

After a stop, take time to assess the situation. Carefully inspect your ATV to identify the problem, then consider your options before you decide what to do.

If a problem is relatively minor and you have the tools, supplies, and skills to make a permanent repair, you may be able to fix it on the trail and continue riding. Or, you may be able to make a temporary repair that allows you to slowly ride back to your base where you can make a permanent repair or get help.

When a problem is more serious or you don't have the tools, supplies, experience, or time to deal with it you need to choose the safest way to get yourself and your ATV back to base. For example, if you are close enough, you (or you and another person) might be able to push it back.

Whatever the problem, the most important rules are:

- Always put personal safety first.
- If you made temporary repairs, be sure to have permanent repairs made as soon as possible.
- Do not continue riding if you are hurt or your ATV is not in safe riding condition.

Additional recommendations for specific problems follow.

## Taking care of the Unexpected

### IF YOUR ENGINE QUITS OR WON'T START

If you have a problem starting the engine or experience poor engine performance the following information may help you. If you can't correct the problem, see or talk to your **Vehicle Certified Motorcycle Mechanic**.

SYMPTOM	WHAT TO DO
idles roughly, too fast, stalls	Check engine idle adjustment. Check fuel hose is not blocked. If the problem persists, see or talk to your <b>Vehicle Certified Motorcycle Mechanic</b> .
runs erratically, misfires	See or talk to your <b>Vehicle Certified Motorcycle Mechanic</b> .
blubbers (rich fuel mixture)	See or talk to your <b>Vehicle Certified Motorcycle Mechanic</b> .
sooty exhaust (rich fuel mixture)	See or talk to your <b>Vehicle Certified Motorcycle Mechanic</b> .
detonates or pings under load	If applicable, switch to the recommended octane gasoline or change your brand of gasoline. If the problem persists, see your <b>Certified Motorcycle Mechanic</b> .
after-fires (backfires)	See or talk to your <b>Vehicle Certified Motorcycle Mechanic</b> .
pre-ignition (runs on after ignition switched OFF)	See or talk to your <b>Vehicle Certified Motorcycle Mechanic</b> .
POSSIBLE CAUSE	WHAT TO DO
float not adjusted right	Remove carburetor and adjust float correctly
debris blocking fuel shut-off valve	Remove carburetor and clean the jet
POSSIBLE CAUSE	WHAT TO DO
faulty kill switch	Disconnect kill switch
no fuel	Check carburetors getting fuel by removing drain screw
no spark	Remove spark plug and do a spark test

## Taking care of the Unexpected

---

### IF YOU HAVE A FLAT TIRE

How you handle a flat tire on the trail depends on how serious the tube or tire damage is, and what tools and supplies you have with you.

If you have a slow leak or a minor puncture, there are two ways to try making a temporary repair:

- Use an aerosol tire sealer to seal the puncture and inflate the tube. (This can be done without removing the tire or wheel.)
- Use a tube patch kit to repair the puncture. (This requires removing the tire.)

If the leak is more serious, or a temporary repair doesn't hold, the tube must be replaced. The tire will also need to be replaced if it is damaged. Replacing a tube or tire involves removing and re-installing the wheel.

If you are unable to repair a flat tire on the trail, you will need to push the ATV back to your base or send for help. We strongly recommend that you do not try to ride with a flat tire. The ATV will be hard to handle, and if the tire comes off the rim, it may lock up the wheel and cause you to crash.

### **WARNING**

**Riding your ATV with a temporary tire repair can be risky. If the temporary repair fails, you can crash and be seriously injured or killed. If you must ride with a temporary tire repair, ride slowly and carefully until the tire is permanently repaired or replaced.**

## Taking care of the Unexpected

---

### IF YOU CRASH

Personal safety is your first priority after a crash. If you or anyone else has been injured, take time to assess the severity of the injuries and whether it is safe to continue riding. If you cannot ride safely, send someone for help. Do not ride if you will risk further injury.

If you decide that you are capable of riding safely, first evaluate the condition of your ATV. If the engine is still running, turn it off and look it over carefully; inspect it for fluid leaks, check the tightness of critical nuts and bolts, and secure such parts as the handlebar, control levers, brakes, and wheels.

If there is minor damage, or you are unsure about possible damage but decide to try riding the ATV back to your base, ride slowly. Personal safety is your first priority after a crash and cautiously.

Sometimes, crash damage is hidden or not immediately apparent. When you get home, thoroughly check your ATV and correct any problems you find. Also, be sure to have your **Certified Motorcycle Mechanic** check the frame and suspension after any serious crash.

### IF A COMPONENT FAILS

The drive chain, master link, brake lever or pedal, control cables, and other components can be damaged as you ride in dense brush or over rocky terrain. Making a trailside repair depends on how serious the damage is and what tools and supplies you have with you.

- If the drive chain comes off because the master link clip gets knocked off, you may be able to put the chain back on with a new master link. However, if the chain breaks or does other damage when it comes off, you may not be able to make a trailside repair.
- If any component of the front brake system is damaged, you may be able to ride carefully back to your base using the rear brake for slowing or stopping.
- If you damage a throttle cable or other critical component, your ATV may be unsafe to ride. Carefully assess the damage and make any repairs that you can. But if there is any doubt, it's best to be conservative and safe.

## Technical Information

---

This section contains technical information by how to identify your ATV



**VIN PLATE**



**ENGINE NUMBER**

**VIN:** Vehicle Identification Number is a serial number to identify your Vehicle

**Engine:** The first 6-7 digit is the engine model number, usually letters and numbers which purpose is for spare parts and detailed specifications. The 2nd group of numbers usually 9 digit is similar to your VIN which is a serial number to identify your particular engine.

“147FMD” engine model “21A08404” engine serial number

**Model No:** To identify the model of your Vehicle

**Displacement:** Engine size of your Vehicle

**Version No:** To identify which version your model is, Vehicle models are categorized by version number rather than by model year, so to find the correct OEM parts you will need the version number.

**Tip:** if a model is a version 1, 1.1, 1.2, 1.3 they are all in the same version family, meaning that 95% of the spare parts will be the same, usually a change in color or minor part like carburetor or exhaust system. If is a version 2, 2.1 then major components have been changed like plastics, frame or engine.

**Max Weight:** Maximum weight a rider can be to operate this motorcycle

**Net Weight:** The total weight of your motorcycle.

**Date:** This is the date of manufacture and does not determine the model year or version number

## Specification

---

### ENGINE AND TRANSMISSION

Engine	Single Cylinder   4 Stroke   Air Cooled
CC Rating	72cc
Gearbox	Automatic
Starter	Electric Start
Carburetor	PZ19L-126c
Exhaust	Standard 28mm Exhaust System
Final Drive	420 Chain

### SUSPENSION, BRAKES AND WHEELS

Suspension Front	255mm
Suspension Rear	260mm
Brakes Front	Disc
Brakes Rear	Disc   Single Piston   Dual Park Brake
Wheel & Tyre Front	Steel Rim   Tubeless   AT16×8.00-7
Wheel & Tyre Rear	Steel Rim   Tubeless   AT16×8.00-7

### DIMENSIONS AND WEIGHT

Wheelbase	840mm   33"
Seat Height	580mm   22.8"
Carton Dimensions	1280×825×850mm
Weight (n.w/g.w)	101KGS/111KGS
Tank Capacity	1.9 Litres   0.502gallon

## Warranty

---

Distributor does not cover the labor required to remove or repair the motorcycle or part for warranty repair or replacement. (Unless otherwise negotiated) In some cases, replacement parts may have to be shipped from overseas and can take up to 8 weeks for delivery.

Purchasing a motorcycle in the crate without setup by Authorized Dealer will void the limited warranty.

Limited Warranty is not transferable and is valid for original purchaser only.

### WARRANTY CLAIMS

All warranty claims must be accompanied with the following information and attachments:

- Picture of the motorcycle
- Picture of the problem
- Picture of the VIN number
- Engine faults require a picture of the engine number
- Description of the problem

To file a warranty claim, please visit or contact your local dealer.





**⚠ WARNING**

Improper ATV use can result in SEVERE INJURY or DEATH.



ALWAYS USE  
AN APPROVED  
HELMET AND  
PROTECTIVE  
GEAR



NEVER USE  
ON PUBLIC  
ROADS



NEVER CARRY  
PASSENGERS



NEVER USE  
WITH DRUGS  
OR ALCOHOL

**NEVER** operate:

- without proper training or instruction,
- at speeds too fast for your skills or the conditions.
- on public roads- a collision can occur with another vehicle.
- with a passenger-passengers affect balance and steering and increase risk of losing control.

**ALWAYS:**

- use proper riding techniques to avoid vehicle overturns on hills and rough terrain and in turns.
- avoid paved surfaces - pavement may seriously affect handling and control.

LOCATE AND READ OWNER'S MANUAL.  
FOLLOW ALL INSTRUCTIONS AND WARNINGS.

## NOTICE

**Read this guide before operating!  
Always follow this age recommendation !**