

SYX moto **OWNERS MANUAL**



58CC 4-Stroke Dirt Bike



Distributed by IceBear Powersports

Address: 10580 mulberry ave. Fontana CA 92337

WWW.SYXMOTO.COM

*Please note that this is a generic manual.

The model of the vehicle you have may slightly differ from the pictures shown in this manual.

Instructions

Please read this owner's manual carefully before using this product!

This is very important!

It's required for driver's safety and vehicle's maintenance!

*** Always ride under adult supervision! This is most important! It's very important for your safety. This product is recommended for riders of 12 years old or over. Do not lend the vehicle to others who don't know how to operate.**

*** Please observe all local law and regulations.**

*** If you do not use the vehicle for more than 2 weeks, be sure to turn off the fuel tank switch and discharge the residual gasoline in the carburetor, To avoid deterioration and damage to the vehicle.**

Contents

Safety warning	2
Assembling	3
Emergency kill switch and speed limiter	4
Tire pressure gauges	5
Operating / Inspection before riding.....	5
Idling (inspection).....	5
Front, rear suspension (inspection)	6
Front brake system (inspection).....	6
Rear brake system (inspection)	6
Tool bag (inspection)	6
Self-Protection (inspection).....	6
Starting	7
Training	7
Riding	7
Parking	7
Cleaning	7
Storage	8
Transport	8
Delivery	8
Maintenance & accessories	8
Maintenance list, age warning and warning labels.....	9
Accessory description, spec data, circuit diagram.....	10-11

Safety warning

1. This vehicle is not a toy.
2. Children must be trained before operating this vehicle.
3. Be sure of children's riding capability.
4. Children must understand the manual and the importance of warnings in the manual.
5. User must read the owner's manual carefully and understand the content of the manual.
6. Incorrect operation of this off road two-wheel vehicle can result in serious injury or even death.
7. This product is not intended for ON-ROAD use.
8. Never ride with more than one person.
9. Never attempt to operate this vehicle while under the influence of alcohol or drugs to avoid injury or death.
10. Please control the speed, do not drive at excessive speeds.
11. Do not allow the vehicle to be used while being serviced.
12. Inspect the vehicle's condition before operating.
13. Do not modify the vehicle or change the parts. This is can be unsafe.
14. Before riding, please wear proper safety gear.
15. It is necessary to receive training from your retailer to learn the operation of the vehicle.
16. Know your local laws and regulations of off road two-wheel vehicles prior to riding. This may be obtained from your retailer.
17. After using the vehicle for long periods of time the muffler will become very hot and will burn you if not careful.
18. Although the vehicle is designed with safety measures, Injury can still arise.

Please read the warning labels on the vehicle carefully, and understand them fully.

1. Warning/caution label includes important safety information.
2. User must understand the content of labels completely.
3. Make sure all labels are put on the vehicles at time of assembly.
4. When the labels are not clear or fall off, please ask your retailer for replacements to ensure the integrity of all the labels.

Assembling guide

1. Place the packing box on the flat ground, and then open it. (With scissors or cutter)

2. Use 10# open-end wrench and 6# Allen wrench to take apart the packing metal for non- iron cage packed models, this step is not applicable.

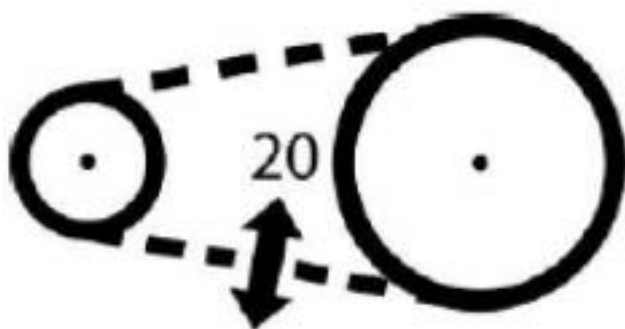
1st step: Please install the rear shock absorber, and tighten nuts on both sides with 25N.m force.

2nd step: Please install the front tire (make sure the tread pattern and valve stem faces outward), and tighten the nuts with force between 35N.m ~ 45N.m.

3rd step: Please install the handlebar (adjust to proper angles), and tighten the nuts with force between 15N.m ~ 25N.m.

If you fail to understand the instructions, please contact your local retailer and get proper guidance.

Adjust the Chain: Use your index finger. Press lightly in the middle position between power output sprocket and rear sprocket. The ideal adjustment should be 15mm to 20mm when pressed. If it is not in this range, please adjust the chain adjuster. (Please note: both chain adjusters should be adjusted at the same time to ensure the wheel is straight). Loosen the rear axle then the fastening nuts of chain adjuster, and then unscrew or screw adjuster nuts to be best position. Finally, tighten the nuts of chain adjuster.



Emergency kill switch

The switch is located on the left side of the handlebar. Pull Kill switch tether or press down on the red button and the engine will be stopped.



The Kill switch tether can be fastened to the rider in case there is an emergency. The vehicle will stop automatically when the rider pulls the rope.



The throttle limiter is located on the right side of the handlebars. The speed limiter can be adjusted to Two-thirds of the normal speed.

Tire gauge

The proper tire pressure can provide the maximum stability and performance.

Check and adjust the tire pressure regularly, to make sure the pressure is correct.

To find the tire size and standard pressure, please check parameter list and warning label on the vehicle. To find the “Load-bearing” and “speed grade”, please check the tire surface.

1. Check tire pressure and condition before riding. Please replace the tire if there are any of the following conditions: cracks, holes, uneven wear, or rim is out of shape. **(Please seek assistance from qualified technician or local retailer for replacement.)**

2. Improper tire pressure will result in hazards. Over the standard pressure can cause a flat tire.

Lower than the standard pressure can cause sidewall failure, loss of tire bead, or pinched innertubes resulting in flat tire or loss control of the vehicle.

3. When the tire-tread wear is over 2mm, please replace with a new tire. **(Please seek assistance from qualified technician or local retailer for replacement.)**

Operating

Inspection before riding

Idling inspection

1. Stabilize the vehicle, and make sure it moves normally and without interference.

2. Check whether the rear shock absorber is deformed or leaking.

3. Hold the vehicle when checking.

4. Repair and replace parts when worn or broken.

5. Tighten any loose parts.

6.. Contact your local retailer if you are unable to resolve any issues.

Front brake inspection

Check the front brakes.

1. Front brake handle is mounted on the right side of the handlebars pull the lever making sure the brake is engaging and firm.
2. Check that tire rotation is good after releasing the brake lever.
3. Contact the retailer if brake maintenance is needed.

Rear brake inspection

Check the rear brakes

1. The rear brake is mounted on the left side of the handlebars pull the lever making sure the brake is engaging and firm.
2. Release the brake lever or foot brake lever quickly and check if the tire rotation is good when the pressure is released.

Brake Maintenance

1. Contact the retailer if brake maintenance is needed.
2. Inspect the brake shoes/ pads regularly, and replace worn.

Tool bag inspection

Check whether tool bag is taken every time before riding.

The tool bag is equipped with basic tools. You can use them when needed.

Self-protection inspection

Self-protection inspection is to help ensure a safe and fun riding experience. Please wear the proper protective clothing to ensure your safety.

Protective clothing consists of these parts below:



Every check and inspection step above is necessary. Danger exists when riding. Please conform to the above process before riding and operating this vehicle. The warning label on the surface of the vehicle includes important safety information. User must fully understand. This vehicle may cause extreme injury and could even lead to death if the above mentioned procedure is not followed.

Starting

Following the steps below to start the engine:

1. Park the vehicle on the flat surface.
2. If the engine doesn't start, please open the choke valve first. Try again. Close the choke valve, once the engine runs steady.
3. Let warm up before riding. Slowly open throttle after initial startup.

Training

If you don't understand the information, please contact your local retailer to learn from a local professional institution or the retailer.

How you operate the vehicle in the first 2 weeks may affect the vehicles future performance.

During Break-in period, do not run the vehicle at full throttle.

After break-in period, maintain the vehicle according to maintenance. Keep the vehicle in good condition.

Training is necessary. Improper operation will result in damage to the vehicle and can result in serious injuries and death.

If the rider has no safety awareness or riding experience, please operate the vehicle under the supervision of an adult.

Riding

Before operating, please review the safety operating information.

1. Pay attention to the brakes working condition at all times.
2. Riding with only one hand is dangerous and forbidden.
3. Turn the throttle slowly. Never turn it suddenly.
4. Release the throttle and use the brake, to make it slow down.
5. Make sure to use both the front brake and the rear brake work at the same time when braking.
6. Do not make dangerous movements while riding to ensure safety.

Cleaning

After every ride, the rider should clean the vehicle. Always place the vehicle on flat surface to clean, and then check.

1. Do not use High pressure air or water. This can damage the vehicle.

2. Chain should be always lubed with chain lubricant.

Storage

The performance will be reduced if you do not use vehicle for a long time and properly prepare the vehicle.

Before storage, vehicle must be checked to ensure it is in a good condition.

1. Clean the vehicle,
2. Clean the chain, and then lubricate it.
3. Lubricate all the cable parts.
4. Drain fuel from carburetor, fuel tank, and turn off fuel valve.
5. Place the vehicle well-packed in a cool ventilated place to avoid damp and sun exposure.

Transport

Transporting the vehicle

1. Ensure the vehicle is well protected.
2. Ensure the vehicle is secured properly.
3. Handle with care.

Delivery

Delivery of the vehicle

1. Ensure the vehicle is placed properly. Do not turn it upside down or lay it on its side.
2. Ensure the vehicle is secured properly.
3. Handling with care.

Maintenance

If you do not understand the information please contact local retailer.

Necessary maintenance is the important to keep the vehicle in good condition. Please maintain the vehicle according to list.

Engine maintenance: After Each use, turn off the fuel valve and drain any remaining fuel from carburetor float bowl. This is very important. If not done accordingly, the vehicle will not start when taken out of storage, carburetor may clog or leak.

Maintenance list (Please operate according to maintenance list)

I: Inspection, This includes servicing, cleaning, lubricating, oiling, repairing or replacing if necessary

A: Adjustment C: Cleaning R: Replacement L: Lubrication

Maintenance period Items	Odometer (km)						
	100	500	1500	2500	3500	4500	Everyday check before riding
Spark Plug		I		I		I	
Fuel System	I	I	I	I	I	I	I
Engine Oil	R	R	R	R	R	R	I
Valve Gap			I, A		I, A		
Idle Speed		I, A	I, A	I, A	I, A	I, A	
Engine Bolt		I	I	I	I	I	
Fuel Filter		I	I	R	I	R	
Air Cleaner		C	C	R	C	R	
Drive Chain	I\L	I\L	I\L	I\L	I\L	I\L	I
Engine Mount		I	I	I	I	I	
Fuel Line		I	I	I	I	I	
Throttle Operation		I	I	I	I	I	
Brake Shoes/Pad Wear		I	I	I	I	I	
Brake System		I	I	I	I	I	I
Clutch		I	I	I	I	I	
Suspension		I	I	I	I	I	
Nuts, Bolts, Fasteners		I	I	I	I	I	
Wheel/Trye		I	I	I	I	I	I
Steering System		I	I	I	I	I	



Accessory description/Spec data/Circuit diagram

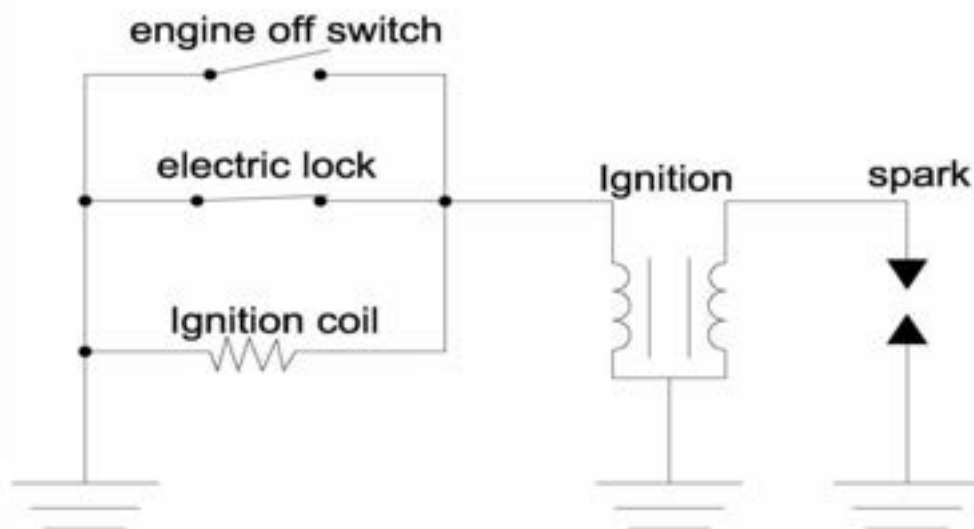


PRODUCT NAME	DIRT BIKE	PRODUCT MODEL	VK
LENGTH X WIDTH X HEIGHT (mm)	1230×550×800	ENGINE MODEL	1P43FMY
AXLE BASE(mm)	835	BORE×STROKES	43.8×38.2
MIN GROUND CLEARANCE(m)	230	DISPLACEMENT(ml)	57.6
TURNING CIRCLE DIAMETER (mm)	2900	IDLE SPEED(r/min)	3300±200
DRY WEIGHT(kg)	26	RATED POWER HP	1.48/7000

		(r/min)	
WETWEIGHT(kg)	30	MAXIMUM TORQUE E N.m(r/min)	2.01/7000
RATED LOAD QUALITY(kg)	≤50	CARBURETOR TYPE	MP11
MAXIMUM SPEED(Km/h)	40	CLUTCH TYPE	AUTOMATIC CENTRIFUGAL
FUEL TANK CAPACITY(L)	2.1	SPARK PLUG TYPE	A7TC
FRONT/REAR BRAKE SHOCK ABSORBER TYPE	SPRING	MUFFLER TYPE	IMPEDANCE COMPOUND MUFFLER
FRONT/REAR BRAKE TYPE	DISC BRAKE	STARTING MODE	PULL START
FRONT/REAR BRAKE OPERATION MODE	AND BRAKE LEVERS/CABLE	IGNITION MODE	NONE-TOUCH MAGNETIC CONTROL

FRONT/REAR TIRE SPECIFICATION	2.50-10	DRIVE MODE	CHAIN DRIVE
FRONT/REAR TIRE PRESSURE	248	LUBRICATION MO DE	15W/30
FRONT/REAR RIM TYPE	ALLOY RIM	COOLING MODE	AIR-COOLED
HEADLIGHT SPECIFICATI ON	N/A	FUEL GRADE	92#

CIRCUIT DIAGRAM



Installation Instruction

1. Open packing box, take out motorcycle and accessories.



2. All tools you need as below; Matching pot with scale mark.



3. Remove the front brake caliper; prepare install front wheel.



4. Install the front wheel, put the spacer before fixed nut.



5. Install the front brake caliper.



6. Install the handle-bar and rear shock.



7. Install the front fender.



8. Install the front number plate.



9. Install the handle-bar pad.



Start enjoy your riding!



Search SYX MOTO on Youtube and Facebook for video instructions.