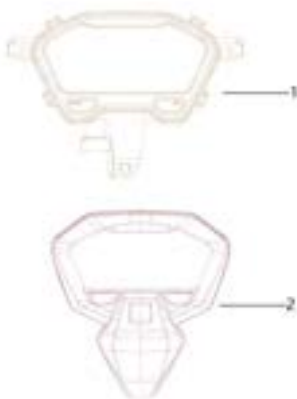
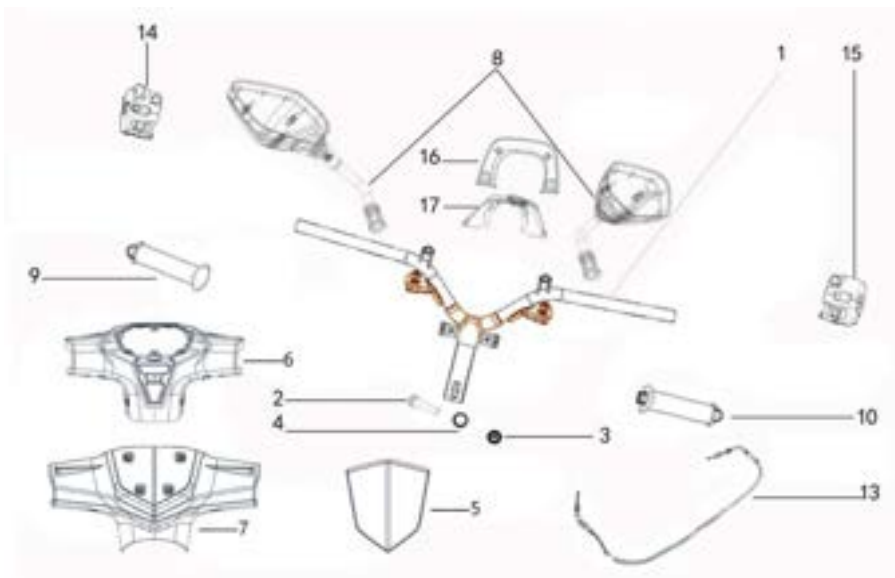


Part No.	Description	Qty per Vehicel
PMZ200-R9-A-001	Headlights	1
PMZ200-R9-A-002	SCREW, ST4.2*12	6

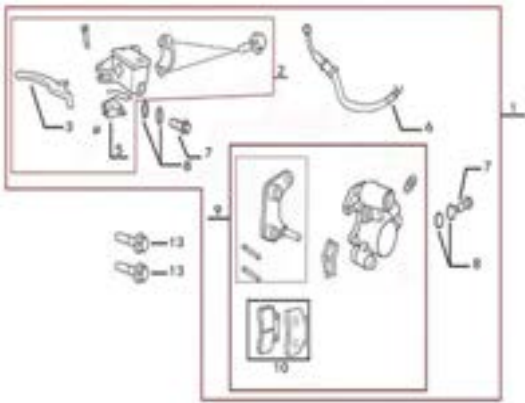


Part No.	Description	Qty per Vehicel
PMZ200-R9-B-001	Instrument	1
PMZ200-R9-B-002	Instrument case	1

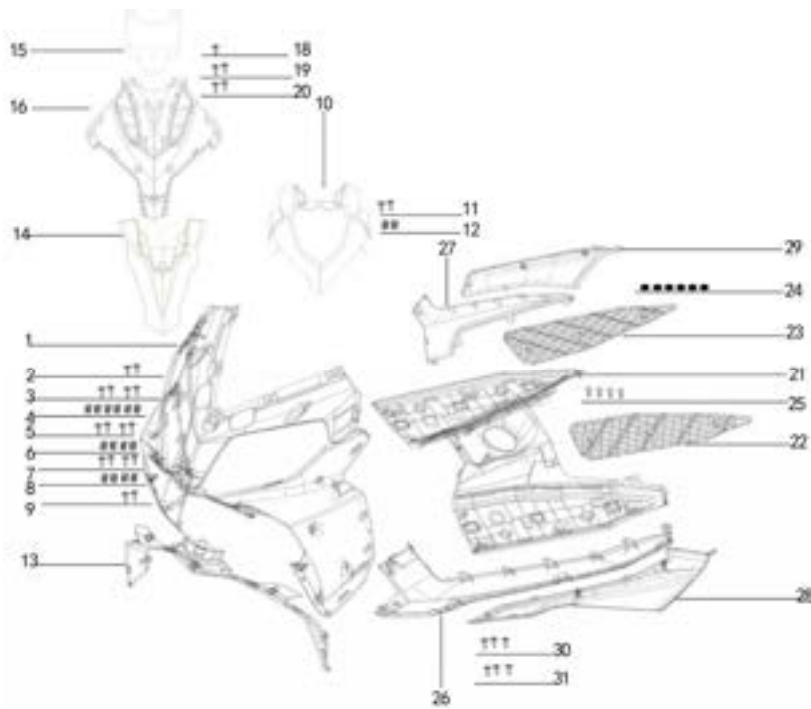


Part No.	Description	Qty per Vehicel
PMZ200-R9-C-001	Direction handle	1
PMZ200-R9-C-002	BOLT FLANGE 10*50	1
PMZ200-R9-C-003	NUT U 10MM	1
PMZ200-R9-C-004	COLLAR HANDLE SET	1

PMZ200-R9-C-005	Windshield trim	1
PMZ200-R9-C-006	Instrument shell	1
PMZ200-R9-C-007	Windshield trim	1
PMZ200-R9-C-008	REAR VIEW MIRROR	1SET
PMZ200-R9-C-009	THE SET OF LEFT HAND BLACK	1
PMZ200-R9-C-010	THROTTLE HANDLE SET BLACK	1
PMZ200-R9-C-013	THROTTLE LINE	1
PMZ200-R9-C-014	SW ASSY LH HNDL	1
PMZ200-R9-C-015	SW ASSY RH HNDL	1
PMZ200-R9-C-016	The upper part of a neck ornament	1
PMZ200-R9-C-017	The lower part of a neck ornament	1

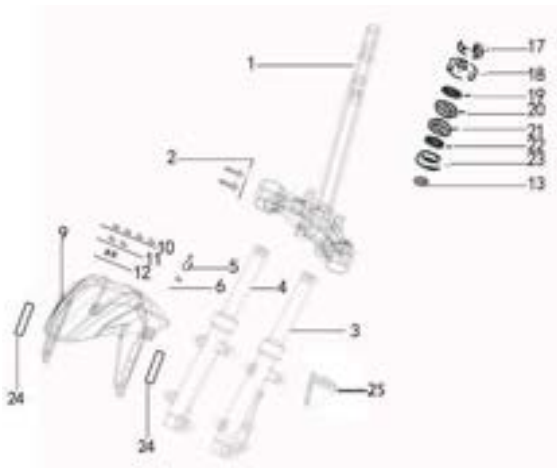


Part No.	Description	Qty per Vehicel
PMZ200-R9-D-001	SUB HARNESS SET FR M/C COMP	1
PMZ200-R9-D-002	SUB HARNESS SET FR M/C	1
PMZ200-R9-D-003	HANDLE R	1
PMZ200-R9-D-005	SHUT-OFF BLOCK CONSTITUTE FR	1
PMZ200-R9-D-006	HOSE ASSY FR BRK	1
PMZ200-R9-D-007	OIL BOLT 10*22	2
PMZ200-R9-D-008	WASHER OIL BOLT	4
PMZ200-R9-D-009	CALIPER ASSY FR	1
PMZ200-R9-D-010	Front disc brake pump brake pad	1SET
PMZ200-R9-D-011	BOLT FLANGE 8*38	1

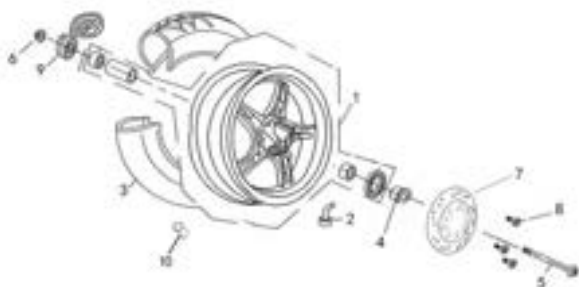


Part No.	Description	Qty per Vehicle
PMZ200-R9-E-001	THE FRONT PANEL BASE COLOR	1
PMZ200-R9-E-002	SCREW, ST4.8*16	2
PMZ200-R9-E-003	SCREW, ST4.2*16	4
PMZ200-R9-E-004	NUT SPRING 4MM	6
PMZ200-R9-E-005	SCREW, ST4.8*16	4
PMZ200-R9-E-006	NUT SPRING 4MM	4
PMZ200-R9-E-007	SCREW, ST4.8*16	4
PMZ200-R9-E-008	NUT SPRING 4MM	4
PMZ200-R9-E-009	BOLT FLANGE 6*12	2
PMZ200-R9-E-010	Upper front panel	1
PMZ200-R9-E-011	SCREW, ST4.8*16	2
PMZ200-R9-E-012	NUT SPRING 4MM	2
PMZ200-R9-E-013	Lower front panel	1
PMZ200-R9-E-014	Front center hood	1
PMZ200-R9-E-015	Front center hood top trim	1
PMZ200-R9-E-016	Front panel upper lining	1
PMZ200-R9-E-017	SCREW, ST4.2*12	1
PMZ200-R9-E-018	SCREW, ST4.2*12	2
PMZ200-R9-E-019	SCREW, ST4.2*12	2
PMZ200-R9-E-020	Pedal	1
PMZ200-R9-E-021	Left foot leather	1
PMZ200-R9-E-022	Right foot leather	1
PMZ200-R9-E-023	Foot leather mounting buckle	6
PMZ200-R9-E-024	BOLT FLANGE 6*17	4
PMZ200-R9-E-025	Front left guard	1
PMZ200-R9-E-026	Right guard front	1
PMZ200-R9-E-027	Rear left guard strip	1
PMZ200-R9-E-028	Rear right guard strip	1

PMZ200-R9-E-029	SCREW, ST4.2*12	3
PMZ200-R9-E-030	SCREW, ST4.2*12	3

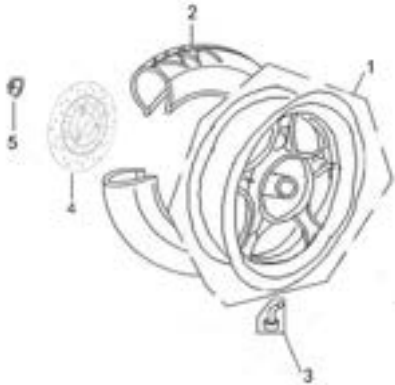


Part No.	Description	Qty per Vehicel
PMZ200-R9-F-001	Lower connection board	1
PMZ200-R9-F-002	BOLT FLANGE 10*35	2
PMZ200-R9-F-003	CUSHION ASSY FR L	1
PMZ200-R9-F-004	CUSHION ASSY FR R	1
PMZ200-R9-F-005	Odometer Hook	2
PMZ200-R9-F-006	BOLT FLANGE 6*12	1
PMZ200-R9-F-009	Front fender	1
PMZ200-R9-F-010	Hex Screw M 6 * 12 in pan head	4
PMZ200-R9-F-011	Hexagon Screw M6 * 30 in pan head	2
PMZ200-R9-F-012	NUT SPRING 6MM	2
PMZ200-R9-F-013	Rubber sheath of steel bowl	1
PMZ200-R9-F-017	The main rod locking nut	1
PMZ200-R9-F-018	Adjusting nut	1
PMZ200-R9-F-019	BALL STEEL UP	1
PMZ200-R9-F-020	RACE UP STRG BALL	1
PMZ200-R9-F-021	RACE (STRG BOT) BALL	1
PMZ200-R9-F-022	BALL STEEL DOWN	1
PMZ200-R9-F-023	RACE (STRG BOTTOM) CONE	1
PMZ200-R9-F-024	Side reflector	2
PMZ200-R9-F-025	Front disc brake clamp	1



Part No.	Description	Qty per Vehicel
PMZ200-R9-G-001	WHEEL SET FR MT2.75*12	1
PMZ200-R9-G-002	VALVE(PVR-70)&CAP(E)	1

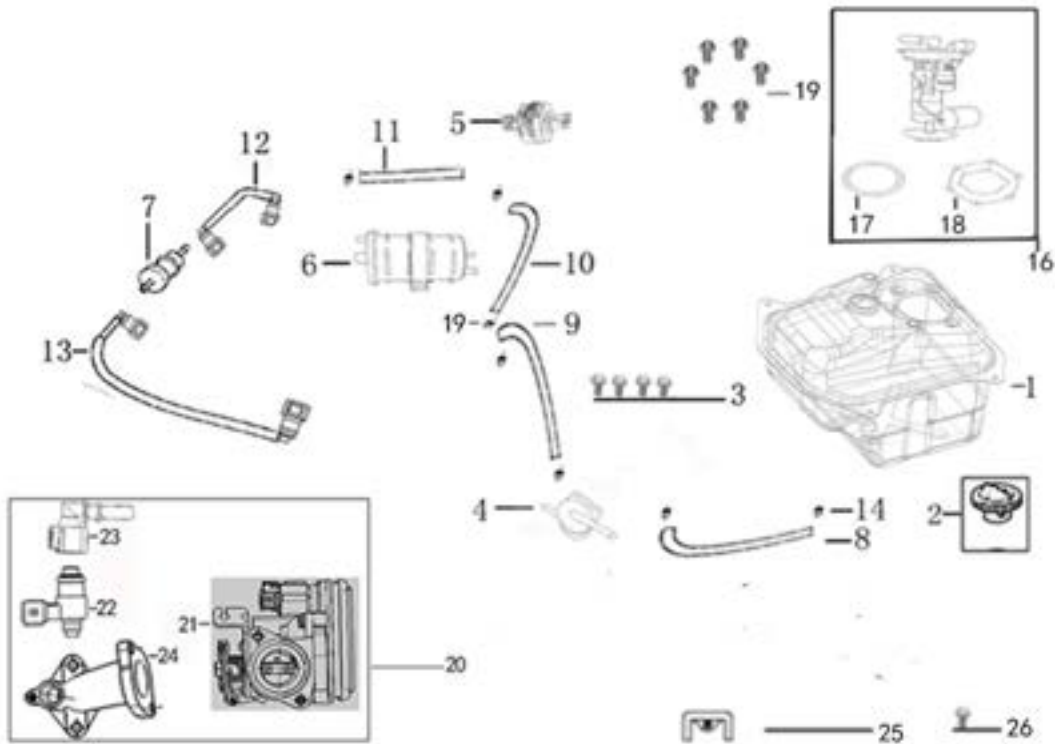
PMZ200-R9-G-003	TIRE ASSY 120/70-12	1
PMZ200-R9-G-004	COLLAR FR WHEEL SIDE	1
PMZ200-R9-G-005	AXLE FR WHEEL	1
PMZ200-R9-G-006	NUT U FLANGE 12MM (G)	1
PMZ200-R9-G-007	DISK FR BRAKE	1
PMZ200-R9-G-008	BOLT DISK 8*25 (Cr)	3
PMZ200-R9-G-009	GEAR BOX ASSY	1
PMZ200-R9-G-010	Front wheel speed sensor clamp	1



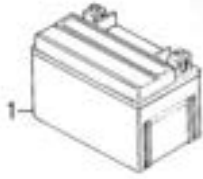
Part No.	Description	Qty per Vehicel
PMZ200-R9-H-001	RR WHEEL ASSY MTMT2.75*12	1
PMZ200-R9-H-002	TIRE ASSY 120/70-12	1
PMZ200-R9-H-003	VALVE(PVR-70)&CAP(E)	1
PMZ200-R9-H-004	DISK RR BRAKE	1
PMZ200-R9-H-005	NUT U 16MM	1



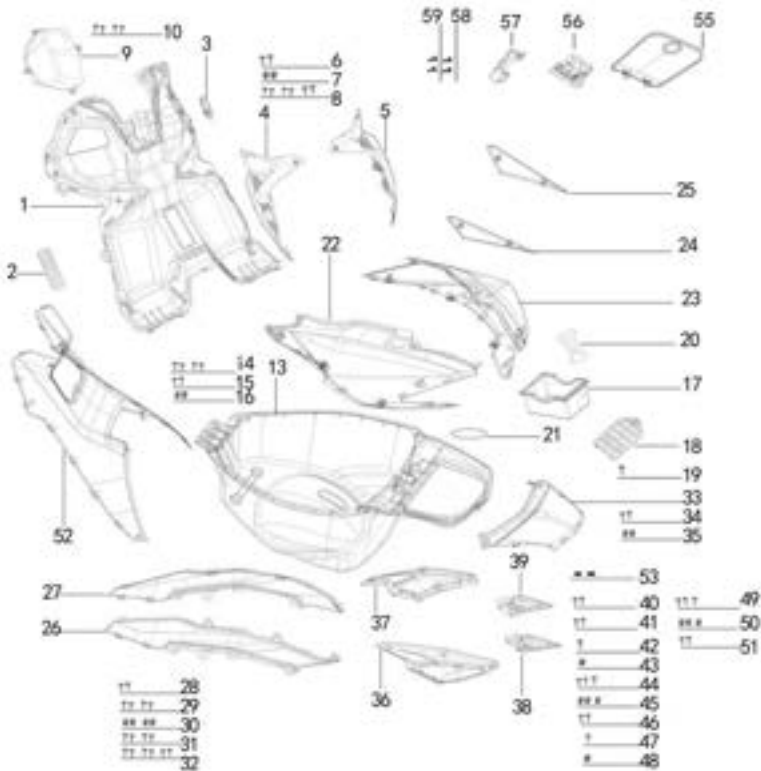
Part No.	Description	Qty per Vehicel
PMZ200-R9-I-001	Seat cushion (including seat cushion rocker shaft)	1
PMZ200-R9-I-002	NUT FLANGE 6MM	3



Part No.	Description	Qty per Vehicel
PMZ200-R9-J-001	The fuel tank	1
PMZ200-R9-J-002	The cap	1
PMZ200-R9-J-003	BOLT FLANGE 6*12 (G)	4
PMZ200-R9-J-004	Dump valve	1
PMZ200-R9-J-005	Canister solenoid valve	1
PMZ200-R9-J-006	canister	1
PMZ200-R9-J-007	STRAINER COMP FUEL	1
PMZ200-R9-J-008	Tank to the dump valve to take over	0.31
PMZ200-R9-J-009	Dump valve to the canister to take over	0.68
PMZ200-R9-J-010	Canister to solenoid valve to take over	0.3
PMZ200-R9-J-011	Solenoid valve to the inlet pipe to take over	0.3
PMZ200-R9-J-012	TUBE ASSY FUEL	1
PMZ200-R9-J-013	TUBE FUEL ASSY	1
PMZ200-R9-J-014	CLIP HOSE $\Phi$ 8.5	5
PMZ200-R9-J-015	Vertical fuel pump assembly	1
PMZ200-R9-J-016	The rubber gasket	1
PMZ200-R9-J-017	Oil pump installation clamp	1
PMZ200-R9-J-018	The M5 * 12 pan head screw	6
PMZ200-R9-J-019	CLIP HOSE $\Phi$ 7.5	3
PMZ200-R9-J-020	Throttle body ECU, Assembly	1
PMZ200-R9-J-021	Throttle body ECU	1
PMZ200-R9-J-022	Fuel injector	1
PMZ200-R9-J-023	Fuel injector cap	1
PMZ200-R9-J-024	Intake manifold (including O-ring)	1
PMZ200-R9-J-025	Carbon canister bracket	1
PMZ200-R9-J-026	BOLT FLANGE 6*12	1

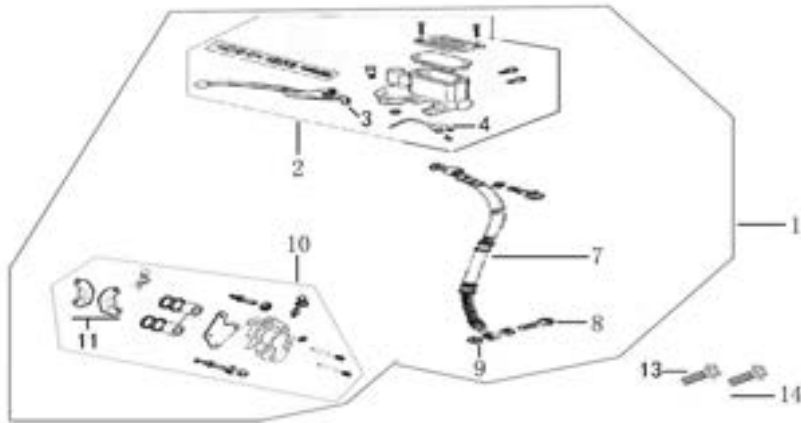


Part No.	Description	Qty per Vehicel
PMZ200-R9-K-001	BATTERY	1

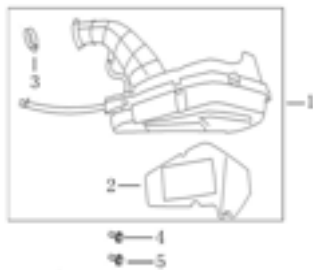


Part No.	Description	Qty per Vehicel
PMZ200-R9-L-001	Toolbox	1
PMZ200-R9-L-002	Number cover	1
PMZ200-R9-L-003	Helmet hook	1
PMZ200-R9-L-004	Left guard plate of toolbox	1
PMZ200-R9-L-005	Right guard plate of toolbox	1
PMZ200-R9-L-006	SCREW, ST4.8*16	2
PMZ200-R9-L-007	NUT SPRING 4MM	2
PMZ200-R9-L-008	SCREW, ST4.2*12	6
PMZ200-R9-L-009	Toolbox cover	1
PMZ200-R9-L-010	SCREW, ST4.2*12	4
PMZ200-R9-L-013	Trunk	1
PMZ200-R9-L-014	BOLT FLANGE 6*16	4
PMZ200-R9-L-015	SCREW, ST4.8*16	2
PMZ200-R9-L-016	NUT SPRING 4MM	2
PMZ200-R9-L-017	Battery box	1

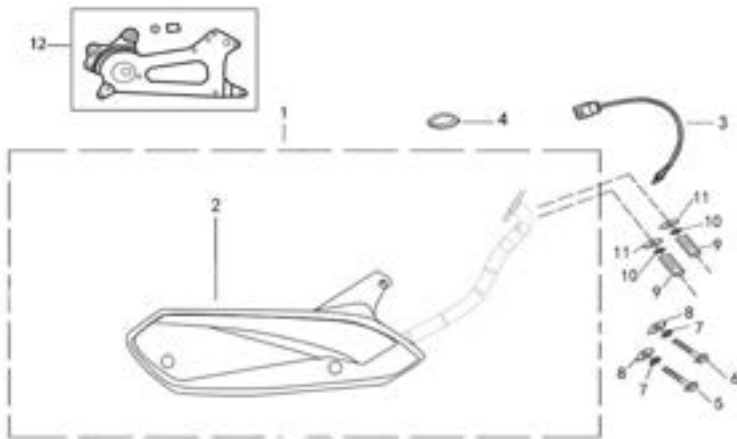
PMZ200-R9-L-018	Electric bottle cap	1
PMZ200-R9-L-019	SCREW, ST4.2*16	1
PMZ200-R9-L-020	Battery rubber	1
PMZ200-R9-L-021	The hole plug of the sundries box	1
PMZ200-R9-L-022	LEFT DECORATIVE BASE COLOR	1
PMZ200-R9-L-023	RIGHT DECORATIVE BASE COLOR	1
PMZ200-R9-L-024	LEFT DECORATIVE BOARD DECORATIVE PARTS BASE COLOR	1
PMZ200-R9-L-025	RIGHT DECORATIVE BOARD DECORATIVE PARTS BASE COLOR	1
PMZ200-R9-L-026	Left Center guard plate	1
PMZ200-R9-L-027	Right Center guard plate	1
PMZ200-R9-L-028	SCREW, ST4.2*12	2
PMZ200-R9-L-029	SCREW, ST4.8*16	4
PMZ200-R9-L-030	NUT SPRING 4MM	4
PMZ200-R9-L-031	SCREW, ST4.2*12	4
PMZ200-R9-L-032	SCREW, ST4.2*12	6
PMZ200-R9-L-033	Back trim panel	1
PMZ200-R9-L-034	SCREW, ST4.8*16	2
PMZ200-R9-L-035	NUT SPRING 4MM	2
PMZ200-R9-L-036	Pedal the left guard	1
PMZ200-R9-L-037	Pedal the right guard	1
PMZ200-R9-L-038	Left pedal assembly	1
PMZ200-R9-L-039	Right Pedal Assembly	1
PMZ200-R9-L-040	SCREW, ST4.2*12	2
PMZ200-R9-L-041	SCREW, ST4.2*12	2
PMZ200-R9-L-042	SCREW, ST4.8*16	1
PMZ200-R9-L-043	NUT SPRING 4MM	1
PMZ200-R9-L-044	Hexagon Screw M 6 * 16 in pan head	3
PMZ200-R9-L-045	NUT SPRING 6MM	3
PMZ200-R9-L-046	BOLT SPECIAL 8*25	2
PMZ200-R9-L-047	SCREW, ST4.8*16	1
PMZ200-R9-L-048	NUT SPRING 4MM	1
PMZ200-R9-L-049	Hexagon Screw M 6 * 16 in pan head	3
PMZ200-R9-L-050	NUT SPRING 6MM	3
PMZ200-R9-L-051	BOLT SPECIAL 8*25	2
PMZ200-R9-L-052	Center cover	1
PMZ200-R9-L-053	Pedal cushioning rubber	2
PMZ200-R9-L-055	Oil tank cap	1
PMZ200-R9-L-056	Tank Cap Swing Arm	1
PMZ200-R9-L-057	Pressure Plate	1
PMZ200-R9-L-058	SCREW, ST4.2*12	2
PMZ200-R9-L-059	SCREW, ST4.2*12	2



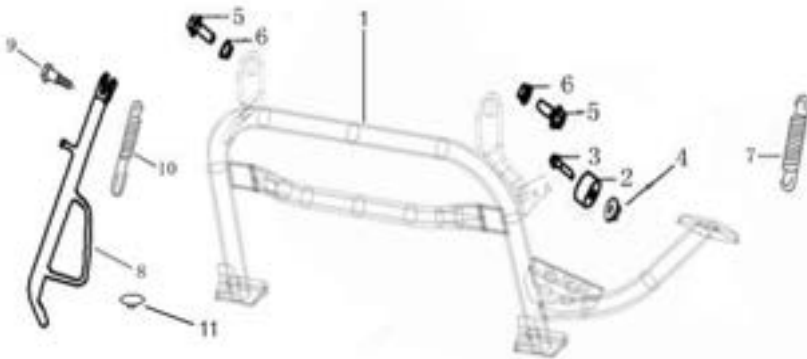
Part No.	Description	Qty per Vehicel
PMZ200-R9-M-001	SUB HARNESS SET RR M/C COMP	1
PMZ200-R9-M-002	SUB HARNESS SET RR M/C	1
PMZ200-R9-M-003	HANDLE L	1
PMZ200-R9-M-004	SHUT-OFF BLOCK CONSTITUTE RR	1
PMZ200-R9-M-007	HOSE ASSY RR BRK	1
PMZ200-R9-M-008	OIL BOLT 10*22	2
PMZ200-R9-M-009	WASHER OIL BOLT	4
PMZ200-R9-M-010	Rear disc brake pump	1
PMZ200-R9-M-011	Rear disc brake pump brake pad	1SET
PMZ200-R9-M-013	BOLT FLANGE 8*35	1
PMZ200-R9-M-014	BOLT FLANGE 8*32	1



Part No.	Description	Qty per Vehicel
PMZ200-R9-N-001	AIR/C ASSY	1
PMZ200-R9-N-002	ELEMENT COMP AIR/C	1
PMZ200-R9-N-003	BAND AIR/C CONNECTING TUBE	1
PMZ200-R9-N-004	BOLT FLANGE M6*25	1
PMZ200-R9-N-005	BOLT FLANGE M6*35	1



Part No.	Description	Qty per Vehicel
PMZ200-R9-O-001	MUFFLER ASSY EXH	1
PMZ200-R9-O-002	PROTECTOR MUFFLER	1
PMZ200-R9-O-003	Oxygen sensor	1
PMZ200-R9-O-004	Muffler gasket	1
PMZ200-R9-O-005	BOLT FLANGER 8*60	1
PMZ200-R9-O-006	BOLT FLANGER 8*60	1
PMZ200-R9-O-007	SPY WANSHWE 8MM	2
PMZ200-R9-O-008	WANSHWE 8MM	2
PMZ200-R9-O-009	NUT (HEX) CAP 8MM	2
PMZ200-R9-O-010	SPY WANSHWE 8MM	2
PMZ200-R9-O-011	WANSHWE 8MM	2
PMZ200-R9-O-012	Connecting plate	1

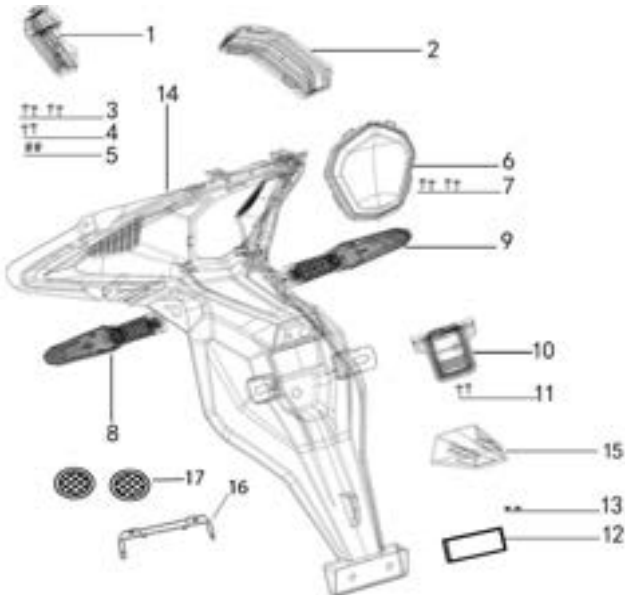


Part No.	Description	Qty per Vehicel
PMZ200-R9-P-001	STAND COMP MAIN	1
PMZ200-R9-P-002	STOPPER RUBBER	1
PMZ200-R9-P-003	BOLT FLANGE 6*28 (G)	1
PMZ200-R9-P-004	NUT FLANGE 6MM	1
PMZ200-R9-P-005	BOLT FLANGE 10*25	2
PMZ200-R9-P-006	COLLAR MAIN STAND	2
PMZ200-R9-P-007	SPG D MAIN STAND	2
PMZ200-R9-P-008	SIDE STAND COMP	1
PMZ200-R9-P-009	SCREW SIDE STAND PIVOT	1

PMZ200-R9-P-010	SPG B1 SIDE STAND	1
PMZ200-R9-P-011	Hanger rubber	1

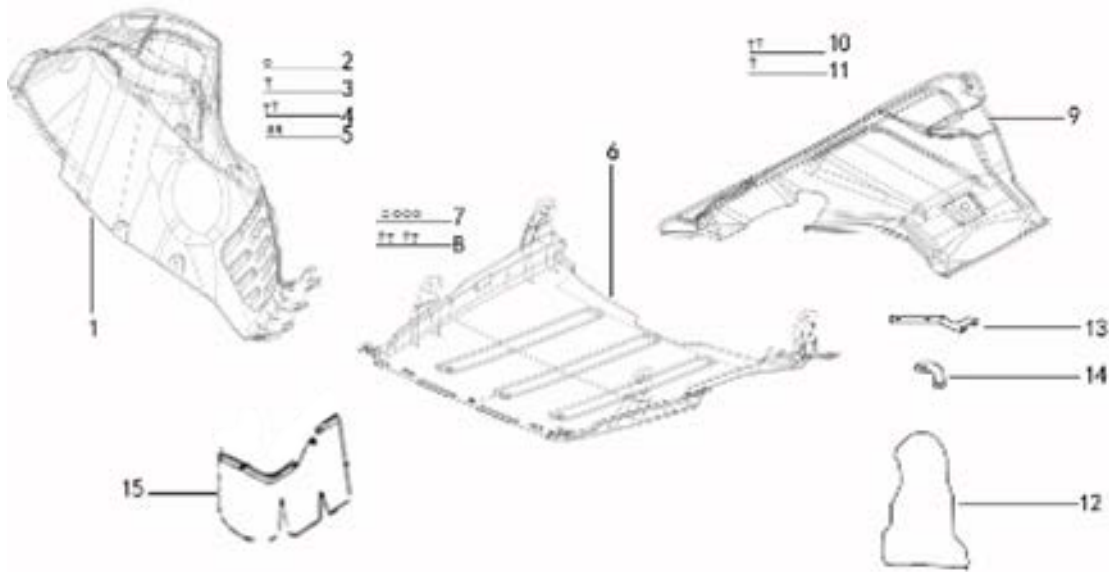


Part No.	Description	Qty per Vehicle
PMZ200-R9-Q-001	Rear shock absorber	1
PMZ200-R9-Q-002	BOLT FLANGE M10*40	2
PMZ200-R9-Q-003	BOLT FLANGE M8*32	2
PMZ200-R9-Q-004	Hexagonal flange self-locking nut M10	2
PMZ200-R9-Q-005	Rear shock absorber	1

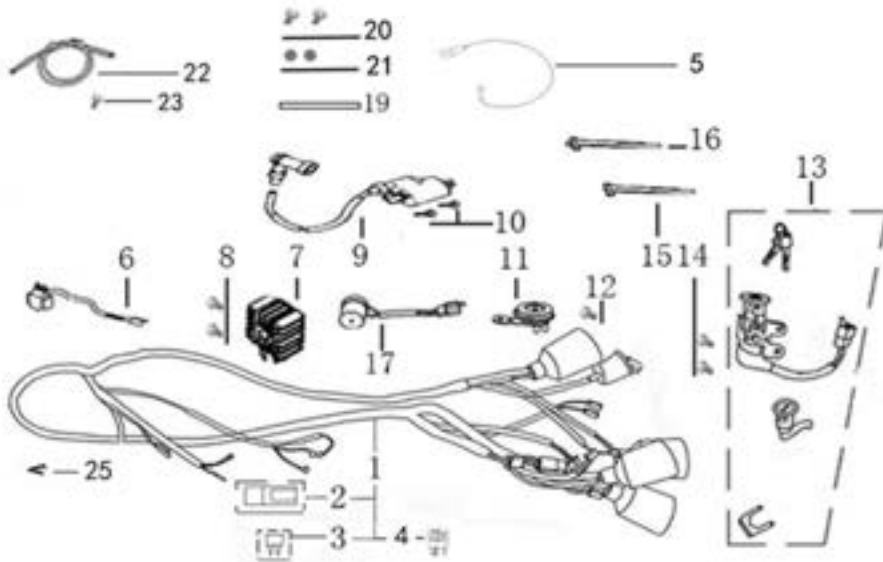


Part No.	Description	Qty per Vehicle
PMZ200-R9-R-001	THE LEFT TURN SIGNAL	1
PMZ200-R9-R-002	RIGHT TURN SIGNAL	1
PMZ200-R9-R-003	SCREW, ST4.2*12	4
PMZ200-R9-R-004	SCREW, ST4.8*16	2
PMZ200-R9-R-005	NUT SPRING 4MM	2
PMZ200-R9-R-006	LED TAIL LAMP ASSEMBLY	1
PMZ200-R9-R-007	SCREW, ST4.2*12	4
PMZ200-R9-R-008	AFTER THE LEFT TURN SIGNAL	1
PMZ200-R9-R-009	RIGHT REAR TURN SIGNAL	1
PMZ200-R9-R-010	LED AFTER THE LICENSE PLATE LAMP	1
PMZ200-R9-R-011	SCREW, ST4.2*16	2
PMZ200-R9-R-012	Rear reflector	1
PMZ200-R9-R-013	NUT FLANGE 5MM	2
PMZ200-R9-R-014	Rear tailgate	1

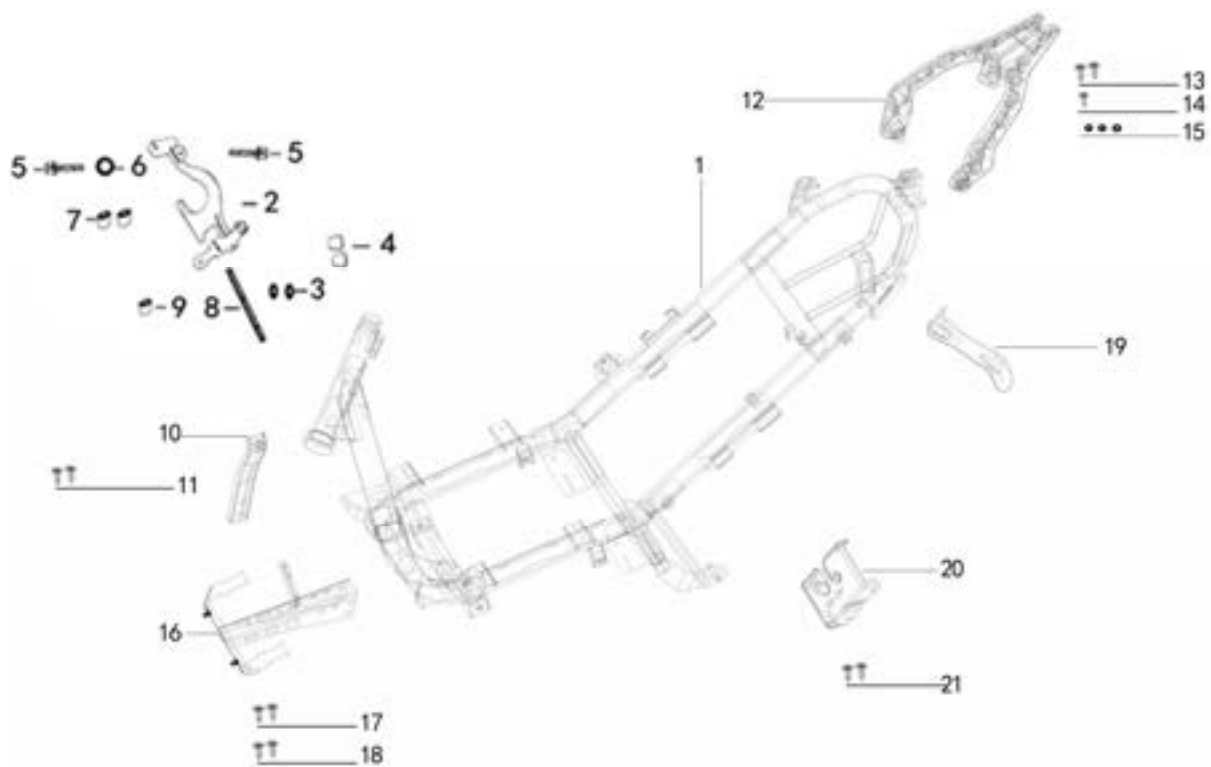
PMZ200-R9-R-015	Lampholders for licence plates	1
PMZ200-R9-R-016	Rear license plate bracket	1
PMZ200-R9-R-017	Side reflector, Red	2



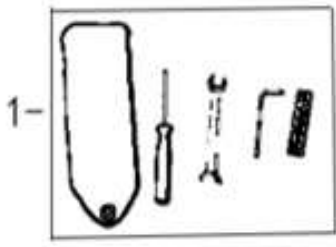
Part No.	Description	Qty per Vehicle
PMZ200-R9-S-001	FRONT FENDER	1
PMZ200-R9-S-002	WANSHWE 6MM	1
PMZ200-R9-S-003	BOLT FLANGE 6*12	1
PMZ200-R9-S-004	SCREW, ST4.8*16	2
PMZ200-R9-S-005	NUT SPRING 4MM	2
PMZ200-R9-S-006	CHASSIS BACKPLANE	1
PMZ200-R9-S-007	WANSHWE 6MM	4
PMZ200-R9-S-008	BOLT FLANGE 6*12	4
PMZ200-R9-S-009	FRAME REAR FENDER	1
PMZ200-R9-S-010	BOLT FLANGE 6*12	2
PMZ200-R9-S-011	BOLT FLANGE 6*16	1
PMZ200-R9-S-012	The rear fender	1
PMZ200-R9-S-013	The right rear wheel fender bracket	1
PMZ200-R9-S-014	The rear fender left bracket	1
PMZ200-R9-S-015	PLATE SPLASH GUARD	1



Part No.	Description	Qty per Vehicel
PMZ200-R9-T-001	HARNESSE WIRE	1
PMZ200-R9-T-002	CASE FUSE	2
PMZ200-R9-T-003	FUSE 15A	4
PMZ200-R9-T-004	SET START MAG ASSY	2
PMZ200-R9-T-005	temperature sensor	1
PMZ200-R9-T-006	SET START MAG ASSY	1
PMZ200-R9-T-007	REG REC COMP	1
PMZ200-R9-T-008	BOLT FLANGE 6*16	2
PMZ200-R9-T-009	COIL ASSY IGN	1
PMZ200-R9-T-010	BOLT FLANGE 6*20	2
PMZ200-R9-T-011	HORN COMP (HIGH)	1
PMZ200-R9-T-012	BOLT FLANGE 6*12	1
PMZ200-R9-T-013	SW COMP LOCK	1
PMZ200-R9-T-014	BOLT SPECIAL 6*16	2
PMZ200-R9-T-015	TIE 150mm	2
PMZ200-R9-T-016	TIE 250mm	5
PMZ200-R9-T-017	RELAY ASSY WINKER	1
PMZ200-R9-T-019	Clamp	4
PMZ200-R9-T-020	SCREW PAN. M5*12	2
PMZ200-R9-T-021	NUT FLANGE 5MM	2
PMZ200-R9-T-022	CABLE SEAT LOCK	1
PMZ200-R9-T-023	SCREW PAN. M5*10	1
PMZ200-R9-T-025	clamp	4



Part No.	Description	Qty per Vehicle
PMZ200-R9-U-001	THE FRAME	1
PMZ200-R9-U-002	HANGER	1
PMZ200-R9-U-003	WASHER ,HANGER	2
PMZ200-R9-U-004	HANGER HOLE PLUG	2
PMZ200-R9-U-005	BOLT FLANGE M10*55	2
PMZ200-R9-U-006	COLLAR DISTANCE	1
PMZ200-R9-U-007	M10NUT, M10	2
PMZ200-R9-U-008	BOLT ENG HANGER	1
PMZ200-R9-U-009	M10NUT, M10	1
PMZ200-R9-U-010	Tool Box Holder	1
PMZ200-R9-U-011	BOLT FLANGE 6*12	2
PMZ200-R9-U-012	LUGGAGE CARRIER	1
PMZ200-R9-U-013	BOLT SPECIAL 8*25	2
PMZ200-R9-U-014	BOLT SPECIAL 8*25	1
PMZ200-R9-U-015	WANSHWE 8MM	3
PMZ200-R9-U-016	Pre-stent	1
PMZ200-R9-U-017	NUT FLANGE 6MM	2
PMZ200-R9-U-018	BOLT FLANGE 6*45	2
PMZ200-R9-U-019	Rear end frame	1
PMZ200-R9-U-020	SEAT CUSHION LOCK PLATE	1
PMZ200-R9-U-021	BOLT FLANGE 6*12	2



Part No.	Description	Qty per Vehicel
PMZ200-R9-V-001	On-board tools	1
PMZ200-R9-V-002	Single support flameout switch	1
PMZ200-R9-V-003	USB charging interface	1
PMZ200-R9-V-004	Right front turn signal (external)	1
PMZ200-R9-V-005	Left front turn signal (external)	1
PMZ200-R9-V-006	External turn signal support	1SET
PMZ200-R9-V-007	Engine	1
PMZ200-R9-V-008	Full set of decals	1
PMZ200-R9-V-009	A full set of standard parts	1SET
PMZ200-R9-V-010	Tail box	1SET