



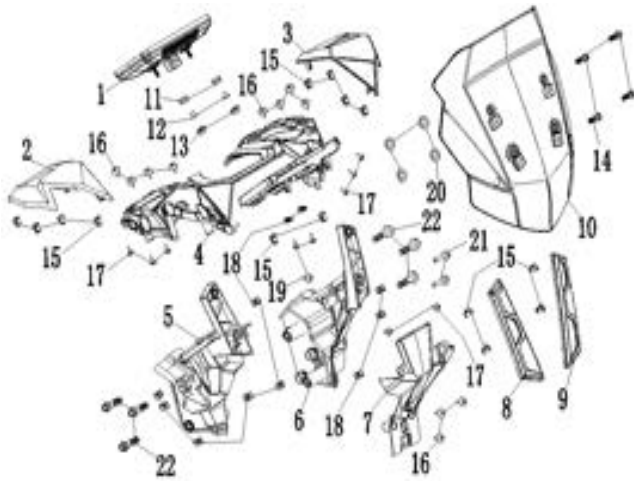
Parts No.	Description	Qty per Vehicel
PMZ300-T15-A-001ORANGE	Middle cap of handle upper cover	1
PMZ300-T15-A-001YELLOW	Middle cap of handle upper cover	1
PMZ300-T15-A-001MATTE BLUE	Middle cap of handle upper cover	1
PMZ300-T15-A-001MATTE BLACK	Middle cap of handle upper cover	1
PMZ300-T15-A-001GRAY	Middle cap of handle upper cover	1
PMZ300-T15-A-001WHITE	Middle cap of handle upper cover	1
PMZ300-T15-A-002ORANGE	LID ,HANDLE UP,R	1
PMZ300-T15-A-002YELLOW	LID ,HANDLE UP,R	1
PMZ300-T15-A-002MATTE BLUE	LID ,HANDLE UP,R	1
PMZ300-T15-A-002MATTE BLACK	LID ,HANDLE UP,R	1
PMZ300-T15-A-002GRAY	LID ,HANDLE UP,R	1
PMZ300-T15-A-002WHITE	LID ,HANDLE UP,R	1
PMZ300-T15-A-003ORANGE	LID ,HANDLE UP,L	1
PMZ300-T15-A-003YELLOW	LID ,HANDLE UP,L	1
PMZ300-T15-A-003MATTE BLUE	LID ,HANDLE UP,L	1
PMZ300-T15-A-003MATTE BLACK	LID ,HANDLE UP,L	1
PMZ300-T15-A-003GRAY	LID ,HANDLE UP,L	1
PMZ300-T15-A-003WHITE	LID ,HANDLE UP,L	1
PMZ300-T15-A-004	Handle upper cover	1
PMZ300-T15-A-005	REAR MIRROR,R	1
PMZ300-T15-A-006	REAR MIRROR,L	1
PMZ300-T15-A-007	Balance block	2
PMZ300-T15-A-008	Expansion button	2
PMZ300-T15-A-009	Throttle Grip, Handle	1
PMZ300-T15-A-010	L.GRIP,HANDLE	1
PMZ300-T15-A-011	SWITCH,HANDLEBAR R	1
PMZ300-T15-A-012	SWITCH,HANDLEBAR L	1
PMZ300-T15-A-013	Handlebar	1
PMZ300-T15-A-014	Upper,fixation base	2
PMZ300-T15-A-015	Throttle cable	1
PMZ300-T15-A-016	Sub-cable	1
PMZ300-T15-A-017	Upper connecting plate	1
PMZ300-T15-A-018	Handlebar lower cover	1
PMZ300-T15-A-019	Screw ST4.2*12	9
PMZ300-T15-A-020	BUCKLE,BLACK	7
PMZ300-T15-A-021	Bolt M8*30	4
PMZ300-T15-A-022	Handlebar Locking Nut	1
PMZ300-T15-A-023	Locking Nut Gasket	1
PMZ300-T15-A-024	metal locking Nut,M10	1
PMZ300-T15-A-025	lock Bush, Handle Bar	1

PMZ300-T15-A-026	Bolt M10*50*1.25	1
PMZ300-T15-A-027	Bolt M6*75	2
PMZ300-T15-A-028	Nut M6	2
PMZ300-T15-A-029ORANGE		1set
PMZ300-T15-A-029YELLOW	Vehicle plastic parts	1set
PMZ300-T15-A-029MATTE BLUE	Vehicle plastic parts	1set
PMZ300-T15-A-029MATTE BLACK	Vehicle plastic parts	1set
PMZ300-T15-A-029GRAY	Vehicle plastic parts	1set
PMZ300-T15-A-029WHITE	Vehicle plastic parts	1set



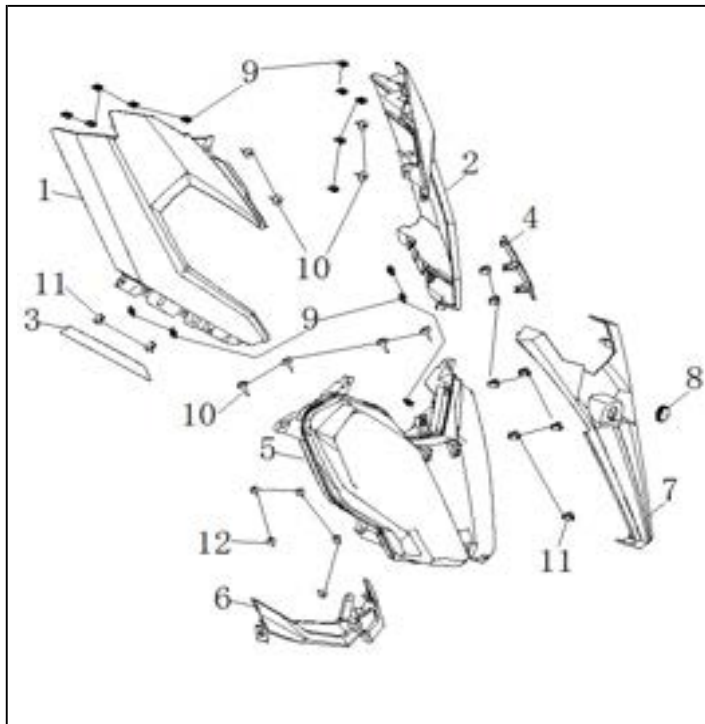
Parts No.	Description	Qty per Vehicel
PMZ300-T15-B-001	R.FR.FORK ASSY.	1
PMZ300-T15-B-002	DUST COVER 1	1
PMZ300-T15-B-003	Upper locking Nut	1
PMZ300-T15-B-004	Lower Locking Nut	1
PMZ300-T15-B-005	GASKET, LOCKING	1
PMZ300-T15-B-006	BEARING UPPER	1
PMZ300-T15-B-007	BEARING LOWER	1
PMZ300-T15-B-008	Lower connecting plate	1
PMZ300-T15-B-009	FR AXLE	1
PMZ300-T15-B-010	L.FR.FORK ASSY.	1
PMZ300-T15-B-011	FRONT FENDER STAY L	1
PMZ300-T15-B-012	Reflex Reflector	2
PMZ300-T15-B-013	Front Tire	1
PMZ300-T15-B-014	Disk of FR Brake,L	1
PMZ300-T15-B-015	Disk of FR Brake,R	1
PMZ300-T15-B-016	COLLAR AXLE	1
PMZ300-T15-B-017	Front Rim	1
PMZ300-T15-B-018	Speed Counter	1
PMZ300-T15-B-019	Front Fender wire Clip	8
PMZ300-T15-B-020	FRONT FENDER STAY R	1
PMZ300-T15-B-021	FRONT FENDER,REAR PART	1
PMZ300-T15-B-022	Clip,fr fender	1
PMZ300-T15-B-023	FRONT FENDER,FRONT PART	1
PMZ300-T15-B-024	Bolt M6X12	1
PMZ300-T15-B-025	Bolt M10X50	4
PMZ300-T15-B-026	BOLT RR BRAKE DISK	10
PMZ300-T15-B-027	hexagon socket screw M6X12	6
PMZ300-T15-B-028	Bolt M18X25	2
PMZ300-T15-B-029	hexagon socket screw M6X25	2
PMZ300-T15-B-030	hexagon socket screw M6X16	5

PMZ300-T15-B-031	Screw ST4.2*12	2
PMZ300-T15-B-032	VALVE RIM	1
PMZ300-T15-B-033	Gear sensor,ABS	1



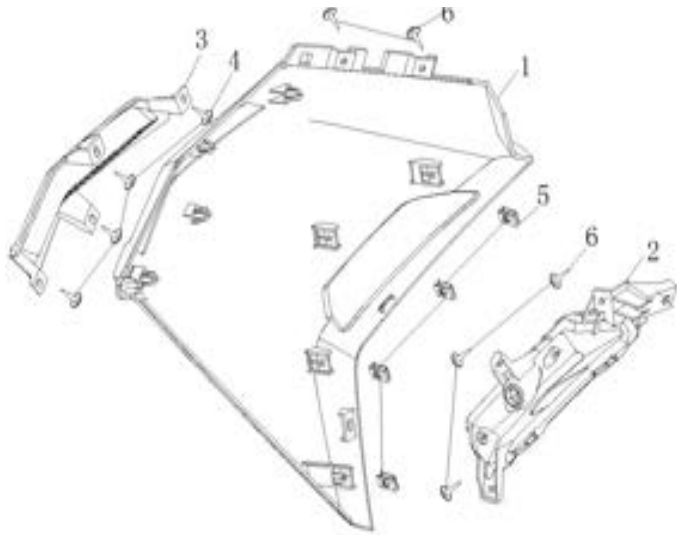
Parts No.	Description	Qty per Vehicle
PMZ300-T15-C-001	Speedometer Assy.	1
PMZ300-T15-C-002ORANGE	Meter cover R.	1
PMZ300-T15-C-002YELLOW	Meter cover R.	1
PMZ300-T15-C-002MATTE BLUE	Meter cover R.	1
PMZ300-T15-C-002MATTE BLACK	Meter cover R.	1
PMZ300-T15-C-002GRAY	Meter cover R.	1
PMZ300-T15-C-002WHITE	Meter cover R.	1
PMZ300-T15-C-003ORANGE	Meter cover L.	1
PMZ300-T15-C-003YELLOW	Meter cover L.	1
PMZ300-T15-C-003MATTE BLUE	Meter cover L.	1
PMZ300-T15-C-003MATTE BLACK	Meter cover L.	1
PMZ300-T15-C-003GRAY	Meter cover L.	1
PMZ300-T15-C-003WHITE	Meter cover L.	1
PMZ300-T15-C-004	Meter cover	1
PMZ300-T15-C-005	Windshield Holder R	1
PMZ300-T15-C-006	Windshield Holder L	1
PMZ300-T15-C-007	Meter cover FR	1
PMZ300-T15-C-008	R. windshield pressure plate	1
PMZ300-T15-C-009	L. windshield pressure plate	1
PMZ300-T15-C-010	Windshield	1
PMZ300-T15-C-011	Rubber Ring	2
PMZ300-T15-C-012	Bush	2
PMZ300-T15-C-013	Locking Nut M6	2
PMZ300-T15-C-014	Bolt M6X14	4
PMZ300-T15-C-015	BUCKLE,BLACK	14
PMZ300-T15-C-016	SCREW TAPPING 4.8*16	11
PMZ300-T15-C-017	Screw ST4.2*12	8
PMZ300-T15-C-018	NUT SPRING 4MM	11
PMZ300-T15-C-019	SCREW TAPPING 4.8*12 (K)	3
PMZ300-T15-C-020	Windshield cushion rubber	4

PMZ300-T15-C-021	Bolt M6X25	2
PMZ300-T15-C-022	Bolt M8X30	6

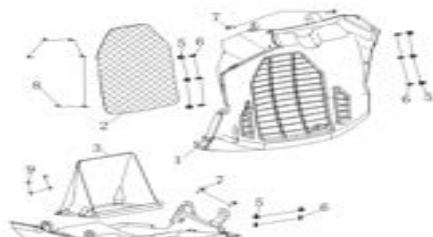
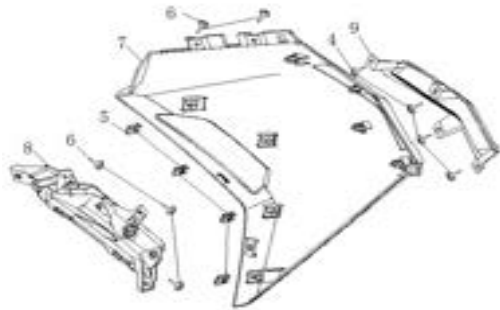


Parts No.	Description	Qty per Vehicel
PMZ300-T15-D-001ORANGE	FRONT COVER R	1
PMZ300-T15-D-001YELLOW	FRONT COVER R	1
PMZ300-T15-D-001MATTE BLUE	FRONT COVER R	1
PMZ300-T15-D-001MATTE BLACK	FRONT COVER R	1
PMZ300-T15-D-001GRAY	FRONT COVER R	1
PMZ300-T15-D-001WHITE	FRONT COVER R	1
PMZ300-T15-D-002ORANGE	FRONT COVER L	1
PMZ300-T15-D-002YELLOW	FRONT COVER L	1
PMZ300-T15-D-002MATTE BLUE	FRONT COVER L	1
PMZ300-T15-D-002MATTE BLACK	FRONT COVER L	1
PMZ300-T15-D-002GRAY	FRONT COVER L	1
PMZ300-T15-D-002WHITE	FRONT COVER L	1
PMZ300-T15-D-003	LITTLE COVER FR R SIDE(version 2)	1
PMZ300-T15-D-004	LITTLE COVER FR L SIDE(version 2)	1
PMZ300-T15-D-005	HEADLIGHT	1
PMZ300-T15-D-006	CONNECTION PLATE	1
PMZ300-T15-D-007	COVER FR TOP	1
PMZ300-T15-D-008	RUBBER CAP,CAMERA	1
PMZ300-T15-D-009	NUT SPRING 4MM	15
PMZ300-T15-D-010	SCREW TAPPING 4.8*16	8
PMZ300-T15-D-011	BUCKLE,BLACK	9
PMZ300-T15-D-012	Screw ST4.2*12	5

Parts No.	Description	Qty per Vehicel
PMZ300-T15-E-001ORANGE	MOLD RIGHT FR	1



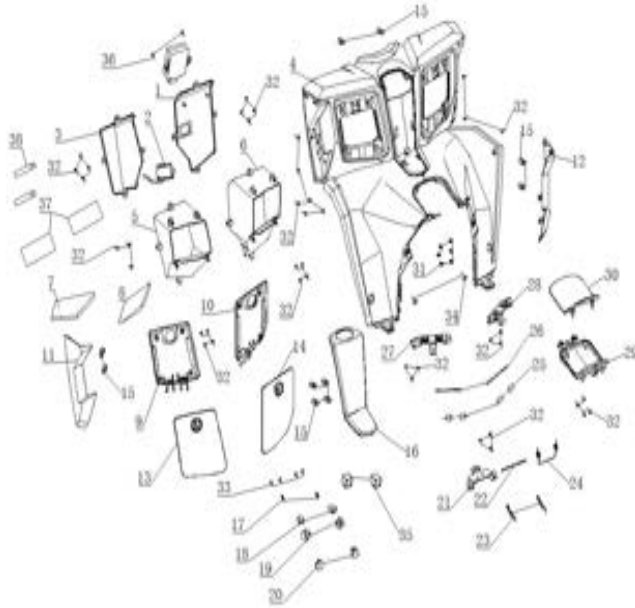
PMZ300-T15-E-001YELLOW	MOLD RIGHT FR	1
PMZ300-T15-E-001MATTE BLUE	MOLD RIGHT FR	1
PMZ300-T15-E-001MATTE BLACK	MOLD RIGHT FR	1
PMZ300-T15-E-001GRAY	MOLD RIGHT FR	1
PMZ300-T15-E-001WHITE	MOLD RIGHT FR	1
PMZ300-T15-E-002	L FR turn signal	1
PMZ300-T15-E-003	Ventilation grid,L	1
PMZ300-T15-E-004	Screw ST4.2*12	8
PMZ300-T15-E-005	NUT SPRING 4MM	8
PMZ300-T15-E-006	SCREW TAPPING 4.8*16	10
PMZ300-T15-E-007ORANGE	MOLD LEFT FR	1
PMZ300-T15-E-007YELLOW	MOLD LEFT FR	1
PMZ300-T15-E-007MATTE BLUE	MOLD LEFT FR	1
PMZ300-T15-E-007MATTE BLACK	MOLD LEFT FR	1
PMZ300-T15-E-007GRAY	MOLD LEFT FR	1
PMZ300-T15-E-007WHITE	MOLD LEFT FR	1
PMZ300-T15-E-008	R FR turn signal	1
PMZ300-T15-E-009	Ventilation grid,R	1



Parts No.	Description	Qty per Vehicel
PMZ300-T15-F-001	Front grill	1
PMZ300-T15-F-002	Front grill net	1
PMZ300-T15-F-003	Air vents under	1
PMZ300-T15-F-004	Frame base cover	1
PMZ300-T15-F-005	EXPANSION NAIL BODY	8
PMZ300-T15-F-006	EXPANSION NAIL	8
PMZ300-T15-F-007	Bolt M6X12	6

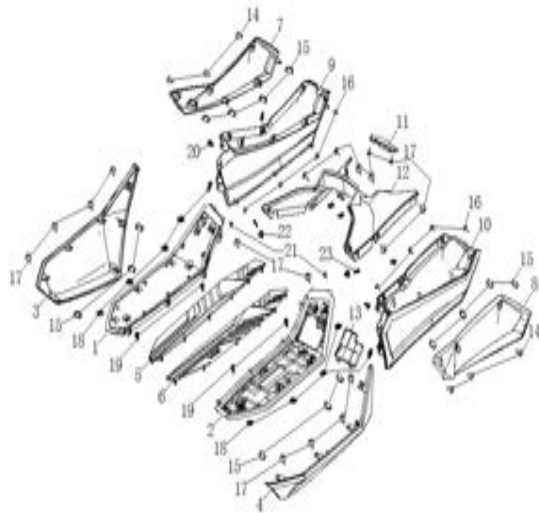


PMZ300-T15-F-008	Screw ST4.2*12	6
PMZ300-T15-F-009	SCREW TAPPING 4.8*12 (K)	4



Parts No.	Description	Qty per Vehicel
PMZ300-T15-G-001	R TOOLBOX BUCKET COVER	1
PMZ300-T15-G-002	USB charger	1
PMZ300-T15-G-003	L TOOLBOX BUCKET COVER	1
PMZ300-T15-G-004	TOOLBOX	35
PMZ300-T15-G-005	L TOOLBOX BUCKET	1
PMZ300-T15-G-006	R TOOLBOX BUCKET	1
PMZ300-T15-G-007	TOOL BOX MAT,L	1
PMZ300-T15-G-008	TOOL BOX MAT,R	1
PMZ300-T15-G-009	L TOOLBOX INNER COVER	1
PMZ300-T15-G-010	R TOOLBOX INNER COVER	1
PMZ300-T15-G-011ORANGE	SIDE COVER TOOLBOX, L	1
PMZ300-T15-G-011YELLOW	SIDE COVER TOOLBOX, L	1
PMZ300-T15-G-011MATTE BLUE	SIDE COVER TOOLBOX, L	1
PMZ300-T15-G-011MATTE BLACK	SIDE COVER TOOLBOX, L	1
PMZ300-T15-G-011GRAY	SIDE COVER TOOLBOX, L	1
PMZ300-T15-G-011WHITE	SIDE COVER TOOLBOX, L	1
PMZ300-T15-G-012ORANGE	SIDE COVER TOOLBOX, R	1
PMZ300-T15-G-012YELLOW	SIDE COVER TOOLBOX, R	1
PMZ300-T15-G-012MATTE BLUE	SIDE COVER TOOLBOX, R	1
PMZ300-T15-G-012MATTE BLACK	SIDE COVER TOOLBOX, R	1
PMZ300-T15-G-012GRAY	SIDE COVER TOOLBOX, R	1
PMZ300-T15-G-012WHITE	SIDE COVER TOOLBOX, R	1
PMZ300-T15-G-013	L TOOLBOX OUTER COVER	1
PMZ300-T15-G-014	R TOOLBOX OUTER COVER	1
PMZ300-T15-G-015	BUCKLE,BLACK	10
PMZ300-T15-G-016	MAIN LOCK COVER	1
PMZ300-T15-G-017	Button spring	2
PMZ300-T15-G-018	Tool Box Lock Base	2
PMZ300-T15-G-019	Toolbox cover lock hook	2
PMZ300-T15-G-020	Fuel tank cover button	2
PMZ300-T15-G-021	Fuel Tank Cover Swim Arm Base	1
PMZ300-T15-G-022	Fuel cover pin	1
PMZ300-T15-G-023	Wave pin	2
PMZ300-T15-G-024	Fuel tank cover spring	1
PMZ300-T15-G-025	Toolbox Damper	4
PMZ300-T15-G-026	pin,tool box	2
PMZ300-T15-G-027	L Toolbox cover fixing plate	1

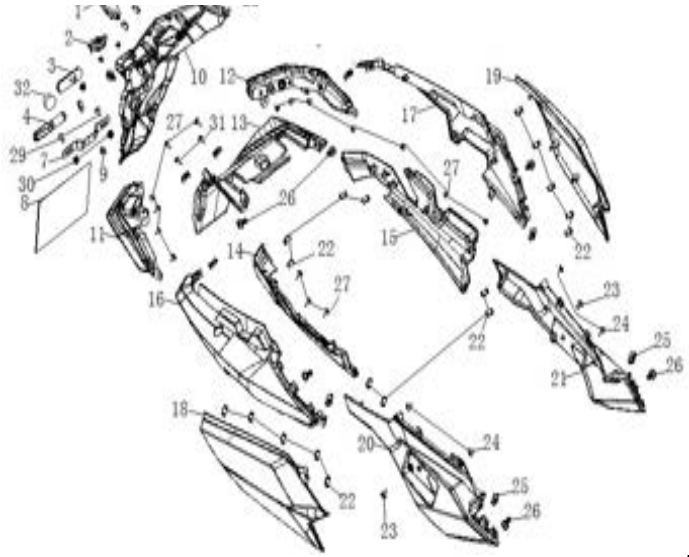
PMZ300-T15-G-028	R Toolbox cover fixing plate	1
PMZ300-T15-G-029	Fuel Tank Cover Swim Arm	1
PMZ300-T15-G-030	FEUL TANK COVER	1
PMZ300-T15-G-031	NUT SPRING 4MM	6
PMZ300-T15-G-032	Screw ST4.2*12	41
PMZ300-T15-G-033	Screw ST3.5*8	4
PMZ300-T15-G-034	SCREW TAPPING 4.8*16	2
PMZ300-T15-G-035	Tool Box Lock Rubber Bush	2
PMZ300-T15-G-036	Screw ST4.2*16	2
PMZ300-T15-G-037	TOOL BOX MAT,L	2
PMZ300-T15-G-038	Clip	2



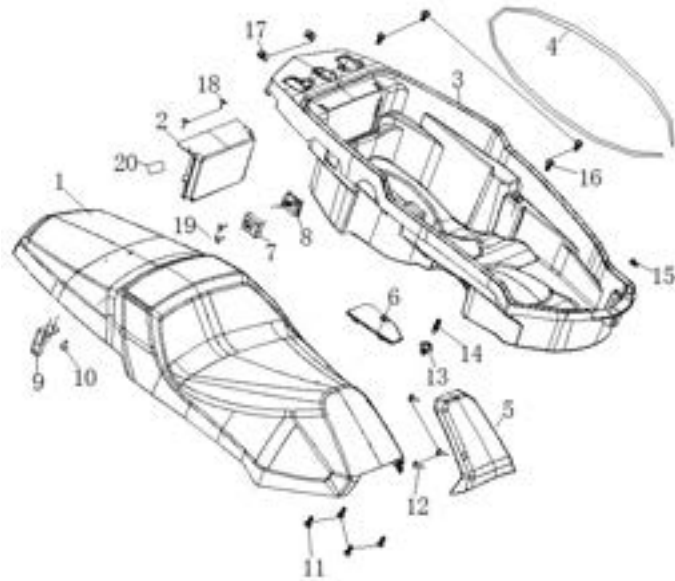
Parts No.	Description	Qty per Vehicel
PMZ300-T15-H-001	L foot pedal	1
PMZ300-T15-H-002	R foot pedal	1
PMZ300-T15-H-003	L Side cover	1
PMZ300-T15-H-004	R Side cover	1
PMZ300-T15-H-005	L. Pedal Cover,RUBBER	1
PMZ300-T15-H-006	R. Pedal Cover,RUBBER	1
PMZ300-T15-H-007	L Decorative cover	1
PMZ300-T15-H-008	R Decorative cover	1
PMZ300-T15-H-009	Upper cover of L foot pedal	1
PMZ300-T15-H-010	Upper cover of R foot pedal	1
PMZ300-T15-H-011	Fuel Tank Lock Stay	1
PMZ300-T15-H-012	foot pedal cover,upper	1
PMZ300-T15-H-013	Checking Window Cover	1
PMZ300-T15-H-014	hexagon socket screw M6X12	6
PMZ300-T15-H-015	BUCKLE,BLACK	14
PMZ300-T15-H-016	SCREW TAPPING 4.2*10	8
PMZ300-T15-H-017	SCREW TAPPING 4.8*16	18
PMZ300-T15-H-018	NUT SPRING 4MM	14
PMZ300-T15-H-019	Bolt M6X14	4
PMZ300-T15-H-020	Bolt M6X12	2
PMZ300-T15-H-021	Screw ST4.2*16	2
PMZ300-T15-H-022	EXPANSION NAIL BODY	2
PMZ300-T15-H-023	EXPANSION NAIL	2



Parts No.	Description	Qty per Vehicel
PMZ300-T15-J-001	Rear lamp upper cover	1
PMZ300-T15-J-002	License plate light	1
PMZ300-T15-J-003	RR Reflector	1



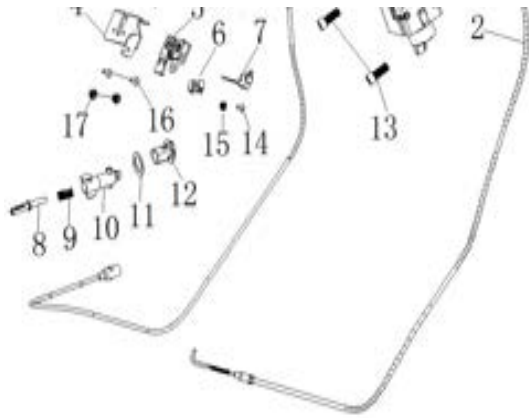
PMZ300-T15-J-004	WINKER ASSY.. R . RR	1
PMZ300-T15-J-005	WINKER ASSY.. L . RR	1
PMZ300-T15-J-006	TAIL LIGHT STAY	1
PMZ300-T15-J-007	Light holder	1
PMZ300-T15-J-008	License plate with LOGO	1
PMZ300-T15-J-009	plate, rubber mat	1
PMZ300-T15-J-010	REAR FENDER	1
PMZ300-T15-J-011	TAIL LIGHT ASSY. R	1
PMZ300-T15-J-012	TAIL LIGHT ASSY. L	1
PMZ300-T15-J-013	REAR FENDER,FRONT PART	1
PMZ300-T15-J-014	REAR SIDE COVER.R	1
PMZ300-T15-J-015	REAR SIDE COVER.L	1
PMZ300-T15-J-016	Cover set R body	1
PMZ300-T15-J-017	Cover set L body	1
PMZ300-T15-J-018ORANGE	Cover set R body,front part	1
PMZ300-T15-J-018YELLOW	Cover set R body,front part	1
PMZ300-T15-J-018MATTE BLUE	Cover set R body,front part	1
PMZ300-T15-J-018MATTE BLACK	Cover set R body,front part	1
PMZ300-T15-J-018GRAY	Cover set R body,front part	1
PMZ300-T15-J-018WHITE	Cover set R body,front part	1
PMZ300-T15-J-019ORANGE	Cover set L body,front part	1
PMZ300-T15-J-019YELLOW	Cover set L body,front part	1
PMZ300-T15-J-019MATTE BLUE	Cover set L body,front part	1
PMZ300-T15-J-019MATTE BLACK	Cover set L body,front part	1
PMZ300-T15-J-019GRAY	Cover set L body,front part	1
PMZ300-T15-J-019WHITE	Cover set L body,front part	1
PMZ300-T15-J-020	R bar RR	1
PMZ300-T15-J-021	L bar RR	1
PMZ300-T15-J-022	BUCKLE,BLACK	21
PMZ300-T15-J-023	hexagon socket screw M6X12	2
PMZ300-T15-J-024	SCREW TAPPING 4.8*16	4
PMZ300-T15-J-025	NUT SPRING 4MM	8
PMZ300-T15-J-026	Bolt M6X12	8
PMZ300-T15-J-027	Screw ST4.2*12	20
PMZ300-T15-J-028	Bolt M10X1.25	2
PMZ300-T15-J-029	hexagon socket bolt M6X16	2
PMZ300-T15-J-030	Nut M6	2
PMZ300-T15-J-031	SCREW TAPPING 4.8*12 (K)	2
PMZ300-T15-J-032	RUBBER CAP,CAMERA	1
PMZ300-T15-J-033	Screw ST4.2*16	2



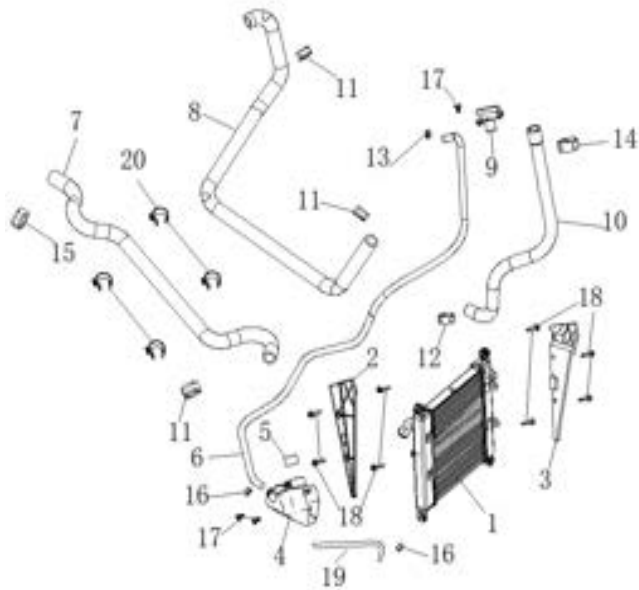
Parts No.	Description	Qty per Vehicel
PMZ300-T15-K-001	SEAT	1
PMZ300-T15-K-002	Battery box cover	1
PMZ300-T15-K-003	Luggage box	1
PMZ300-T15-K-004	Seat seal	1
PMZ300-T15-K-005ORANGE	Seat's front panel	1
PMZ300-T15-K-005YELLOW	Seat's front panel	1
PMZ300-T15-K-005MATTE BLUE	Seat's front panel	1
PMZ300-T15-K-005MATTE BLACK	Seat's front panel	1
PMZ300-T15-K-005GRAY	Seat's front panel	1
PMZ300-T15-K-005WHITE	Seat's front panel	1
PMZ300-T15-K-006	FUSES BOX COVER	1
PMZ300-T15-K-007	SEAT LIGHT BASE	1
PMZ300-T15-K-008	SEAT LIGHT	1
PMZ300-T15-K-009	SEAT LOCK	1
PMZ300-T15-K-010	hexagon socket bolt M6X16	1
PMZ300-T15-K-011	Bolt M6X12	4
PMZ300-T15-K-012	Screw ST4.2*16	3
PMZ300-T15-K-013	EXPANSION NAIL BODY	1
PMZ300-T15-K-014	EXPANSION NAIL	1
PMZ300-T15-K-015	Bolt M6X14	1
PMZ300-T15-K-016	Bolt M6X12	4
PMZ300-T15-K-017	NUT SPRING 4MM	2
PMZ300-T15-K-018	SCREW TAPPING 4.8*12 (K)	2
PMZ300-T15-K-019	Screw ST4.2*12	2
PMZ300-T15-K-020	Battery cushion	1



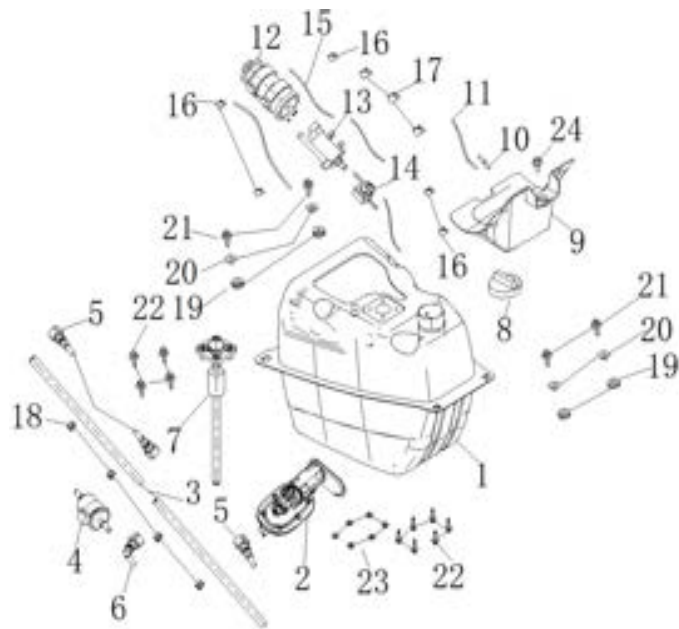
Parts No.	Description	Qty per Vehicel
PMZ300-T15-L-001	Lock sets	1
PMZ300-T15-L-002	Seat cushion cable	1
PMZ300-T15-L-003	Fuel tank lock wire	1
PMZ300-T15-L-004	Bracket of Seat locker	1



PMZ300-T15-L-005	Battery protector locker	1
PMZ300-T15-L-006	Battery protector cable sheath	1
PMZ300-T15-L-007	Position Sensor	1
PMZ300-T15-L-008	WHOLE SET, LOCK OF OIL TANK	1
PMZ300-T15-L-009		1
PMZ300-T15-L-010		1
PMZ300-T15-L-011		1
PMZ300-T15-L-012		1
PMZ300-T15-L-013	hexagon socket bolt M6X16	2
PMZ300-T15-L-014	Bolt M3X12	1
PMZ300-T15-L-015	LOCKING NUT M3	1
PMZ300-T15-L-016	Bolt M4X20	2
PMZ300-T15-L-017	LOCKING NUT M4	2
PMZ300-T15-L-018	Bolt M6X12	2



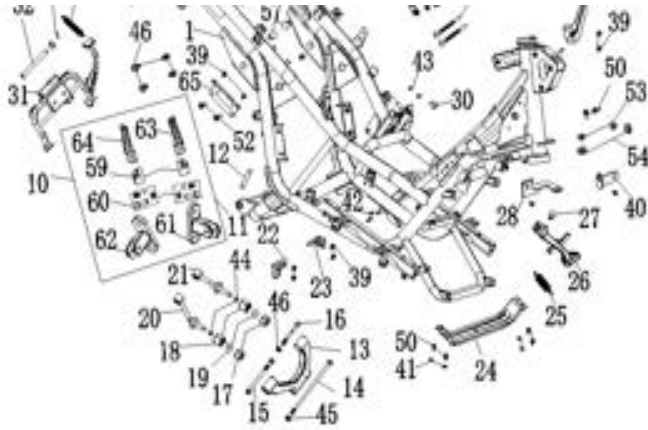
Parts No.	Description	Qty per Vehicel
PMZ300-T15-M-001	Radiator & Cooling Fan Assy	1
PMZ300-T15-M-002	RADIATOR COVER R	1
PMZ300-T15-M-003	RADIATOR COVER L	1
PMZ300-T15-M-004	canteen	1
PMZ300-T15-M-005	Cover of canteen	1
PMZ300-T15-M-006	Return pipe of AUXILIARY KETTLE	1
PMZ300-T15-M-007	outlet rubber pipe	1
PMZ300-T15-M-008	Inlet rubber pipe	1
PMZ300-T15-M-009	Water Intake	1
PMZ300-T15-M-010	INLET RUBBER TUBE OF TANK	1
PMZ300-T15-M-011	Clipe 31.6	3
PMZ300-T15-M-012	CLIP 27.1	1
PMZ300-T15-M-013	CLIP 15.1	1
PMZ300-T15-M-014	CLIP 30.5	1
PMZ300-T15-M-015	Clip 33.1	1
PMZ300-T15-M-016	Clip 12-16	2
PMZ300-T15-M-017	Bolt M6X12	3
PMZ300-T15-M-018	Bolt M6X20	8
PMZ300-T15-M-019	Return pipe of AUXILIARY KETTLE	1
PMZ300-T15-M-020	wire Clip ϕ 30	4



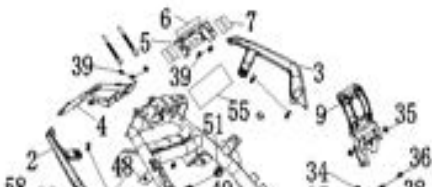
Parts No.	Description	Qty per Vehicel
PMZ300-T15-N-001	FUEL tank	1
PMZ300-T15-N-002	Fuel Pump	1
PMZ300-T15-N-003	High-pressure tubing 1	2
PMZ300-T15-N-004	Fuel filter	1
PMZ300-T15-N-005	Connector 1	3
PMZ300-T15-N-006	Connector 2	1
PMZ300-T15-N-007	Oil Level Sensor	1
PMZ300-T15-N-008	Tank Cap	1
PMZ300-T15-N-009	Filler sleeve	1
PMZ300-T15-N-010	connector	1
PMZ300-T15-N-011	Carbon canister pipe	1
PMZ300-T15-N-012	Carbon canister	1
PMZ300-T15-N-013	Valve EGR	1
PMZ300-T15-N-014	Dump valve	1
PMZ300-T15-N-015	Oil pipe	4
PMZ300-T15-N-016	clip, Negative Pressure Tube	5
PMZ300-T15-N-017	clip, pipe of Valve EGR	3
PMZ300-T15-N-018	Clip, High-pressure tubing 1	4
PMZ300-T15-N-019	Tank Rubber ring	4
PMZ300-T15-N-020	Tank bushing	4
PMZ300-T15-N-021	Bolt M6X20	4
PMZ300-T15-N-022	Bolt M5X20	10
PMZ300-T15-N-023	Oil Pump Seal	6
PMZ300-T15-N-024	Bolt M6X14	1



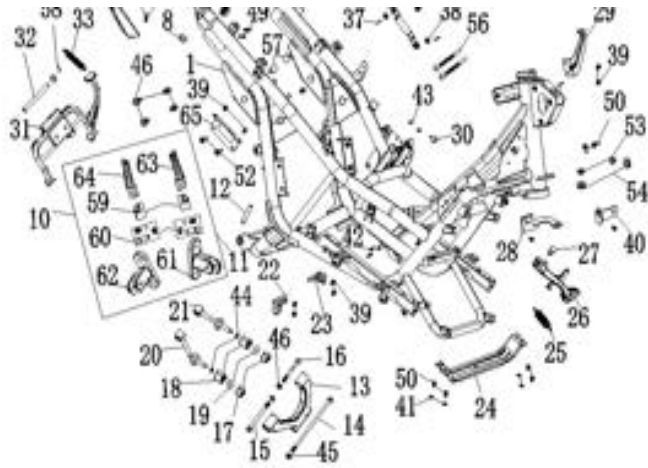
Parts No.	Description	Qty per Vehicel
PMZ300-T15-P-001	Frame	1
PMZ300-T15-P-002	Right rear carrier	1
PMZ300-T15-P-003	Left rear carrier	1
PMZ300-T15-P-004	REAR FENDER STAY	1
PMZ300-T15-P-005	Battery Bracket	1
PMZ300-T15-P-006	Battery cushion 1	1
PMZ300-T15-P-007	Battery cushion 2	4



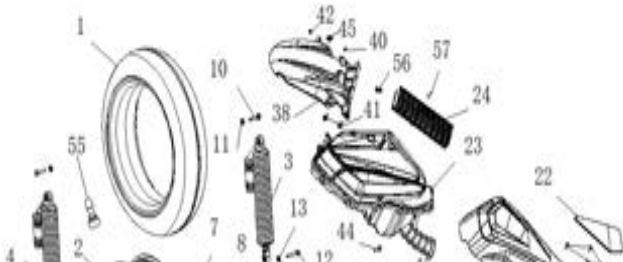
PMZ300-T15-P-008	RUBBER CAP	2
PMZ300-T15-P-009	Seat Rocker	1
PMZ300-T15-P-010	BAR R STEP ASSY	1
PMZ300-T15-P-011	BAR L STEP ASSY	1
PMZ300-T15-P-012	NAME PLATE	1
PMZ300-T15-P-013	hanger	1
PMZ300-T15-P-014	axle,Hanger	1
PMZ300-T15-P-015	Bolt M6X12,M12*100	1
PMZ300-T15-P-016	Bolt M6X12,M12*120	1
PMZ300-T15-P-017	rubber	2
PMZ300-T15-P-018	Tie rod rear rubber buffer	2
PMZ300-T15-P-019	Left hanger tie rod mounting pad	2
PMZ300-T15-P-020	Left hanger rod	1
PMZ300-T15-P-021	Right hanger tie rod	1
PMZ300-T15-P-022	FUEL TANK STAY L RR	1
PMZ300-T15-P-023	FUEL TANK STAY R RR	1
PMZ300-T15-P-024	FUEL TANK COVER LOWER	1
PMZ300-T15-P-025	Side Stand double spring	1
PMZ300-T15-P-026	Side Stand, ALU	1
PMZ300-T15-P-027	Bolt,side stand	1
PMZ300-T15-P-028	ABS R Holder	1
PMZ300-T15-P-029	Water Intake Bracket	1
PMZ300-T15-P-030	Seat rocker rubber	1
PMZ300-T15-P-031	Main stand	1
PMZ300-T15-P-032	Axle,Main stand	1
PMZ300-T15-P-033	Main Stand double spring	1
PMZ300-T15-P-034	Gas Spring	1
PMZ300-T15-P-035	Seat rocker bushing	2
PMZ300-T15-P-036	Bolt M6X20	2
PMZ300-T15-P-037	Wave pin	2
PMZ300-T15-P-038	WASHER $\phi 8 \times \phi 16$	2
PMZ300-T15-P-039	Bolt M6X12	17
PMZ300-T15-P-040	ABS L Holder	1



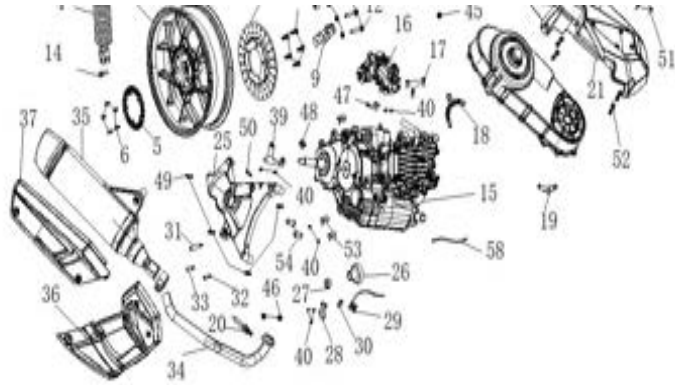
Parts No.	Description	Qty per Vehicel
PMZ300-T15-P-041	Nut M6	4
PMZ300-T15-P-042	hexagon socket bolt M5X16	2
PMZ300-T15-P-043	Screw M5X12	2
PMZ300-T15-P-044	Nut M8	2
PMZ300-T15-P-045	metal locking Nut,M10	1
PMZ300-T15-P-046	LOCKING NUT M12X1.25	2



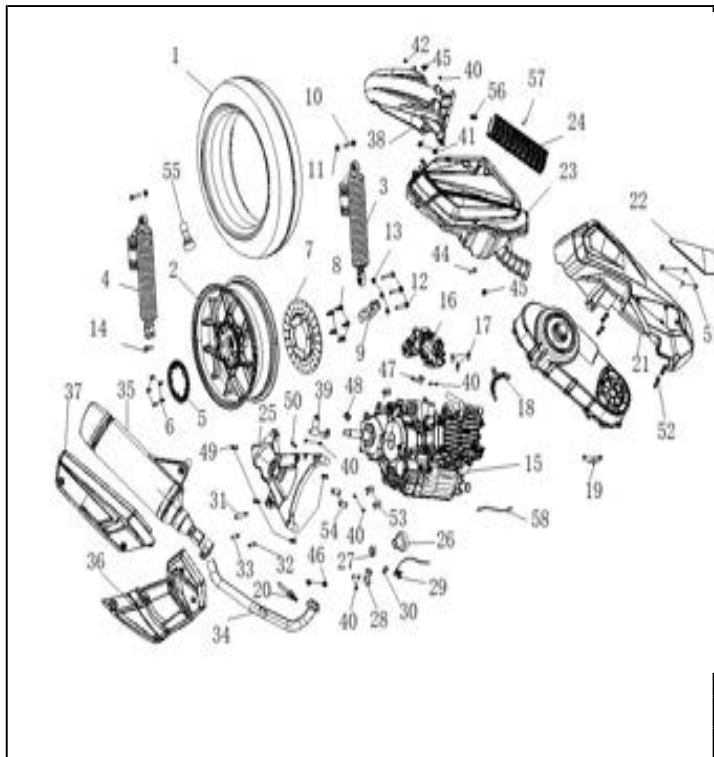
PMZ300-T15-P-047	Bolt M8X20	4
PMZ300-T15-P-048	hexagon socket bolt M8X16	4
PMZ300-T15-P-049	hexagon socket bolt M6X16	2
PMZ300-T15-P-050	Bolt M6X12	8
PMZ300-T15-P-051	RUBBER CAP	2
PMZ300-T15-P-052	Bolt M6X30	2
PMZ300-T15-P-053	Bush	2
PMZ300-T15-P-054	Rubber Ring	2
PMZ300-T15-P-055	REAR RUBER FENDER	1
PMZ300-T15-P-056	Cable ties	4
PMZ300-T15-P-057	clip φ13	2
PMZ300-T15-P-058	pin Φ2.5*30	1
PMZ300-T15-P-059	Position Plate	2
PMZ300-T15-P-060	Pin set	2
PMZ300-T15-P-061	Bracket,L footrest	1
PMZ300-T15-P-062	Bracket,R footrest	1
PMZ300-T15-P-063	L footrest	1
PMZ300-T15-P-064	R footrest	1
PMZ300-T15-P-065	Bracket,rectifier	1



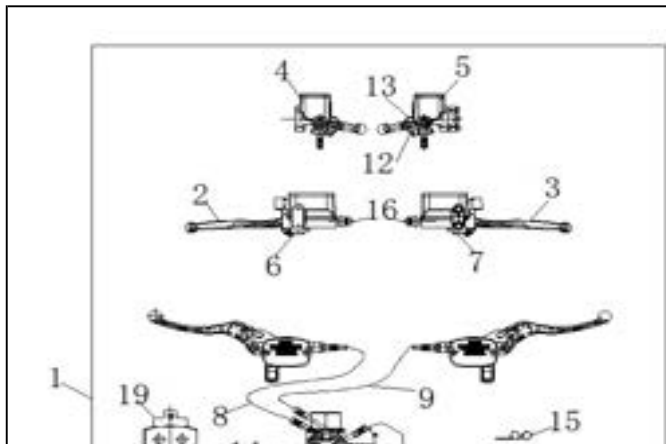
Parts No.	Description	Qty per Vehicel
PMZ300-T15-R-001	RR Tire	1
PMZ300-T15-R-002	RR Rim	1
PMZ300-T15-R-003	REAR ABSORBER L	1
PMZ300-T15-R-004	REAR ABSORBER R	1
PMZ300-T15-R-005	Rear gear sensor,ABS	1
PMZ300-T15-R-006	Screw M5*12	5
PMZ300-T15-R-007	Disc of RR Brake	1
PMZ300-T15-R-008	Bolt,disc plate	5
PMZ300-T15-R-009	Bracket,rear absorber	1



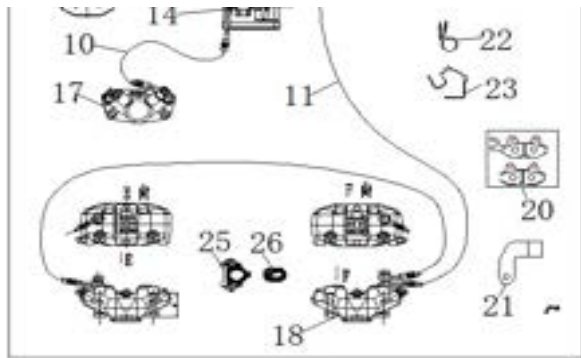
PMZ300-T15-R-010	Bolt M10X40	2
PMZ300-T15-R-011	metal locking Nut,M10	2
PMZ300-T15-R-012	Bolt M8X45	3
PMZ300-T15-R-013	Nut M8	3
PMZ300-T15-R-014	Bolt M8X35	1
PMZ300-T15-R-015	Engien ASSY	1
PMZ300-T15-R-016	Throttle body assy	1
PMZ300-T15-R-017	hexagon socket bolt M6X26	3
PMZ300-T15-R-018	Bracket,L engine cover,RR	1
PMZ300-T15-R-019	Bracket,L engine cover	1
PMZ300-T15-R-020	O2 Sensor	1
PMZ300-T15-R-021	Engine Cover	1
PMZ300-T15-R-022	Deco cover,Engine Cover	1
PMZ300-T15-R-023	Air filter assy	1
PMZ300-T15-R-024	elments,air filter	1
PMZ300-T15-R-025	Swing arm,engine	1
PMZ300-T15-R-026	outer spacer,Swing arm,engine	1
PMZ300-T15-R-027	inner spacer,Swing arm,engine	1
PMZ300-T15-R-028	Braket,rear gear sensor	1
PMZ300-T15-R-029	Gear sensor	1
PMZ300-T15-R-030	WASHER ,Gear sensor	1
PMZ300-T15-R-031	Fr upper spacer,right Crankcase	1
PMZ300-T15-R-032	Fr lower spacer,right Crankcase	1
PMZ300-T15-R-033	Rr lower spacer,right Crankcase	1
PMZ300-T15-R-034	Muffler pipe	1
PMZ300-T15-R-035	Muffler Body with EPA Catalyst	1
PMZ300-T15-R-036	WATER PUMP	



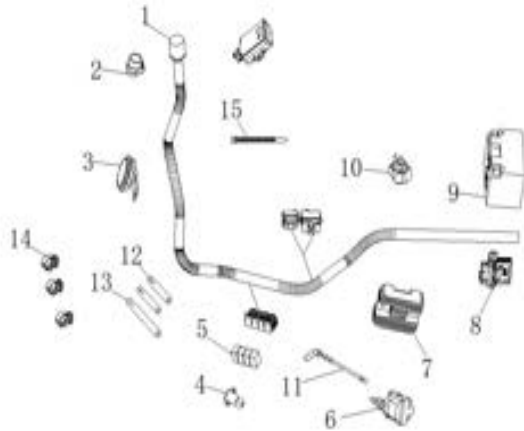
Parts No.	Description	Qty per Vehicel
PMZ300-T15-R-036	Fr muffler cover	1
PMZ300-T15-R-037	Muffler cover,main	1
PMZ300-T15-R-038	Rear fender inner	1
PMZ300-T15-R-039	Fr Bracket,Rear fender inner	1
PMZ300-T15-R-040	Bolt M6X12	11
PMZ300-T15-R-041	Bolt M6X14	2
PMZ300-T15-R-042	SCREW TAPPING 4.8*16	1
PMZ300-T15-R-043	NUT M6	1
PMZ300-T15-R-044	Bolt M6*45	1
PMZ300-T15-R-045	Nut M6	1
PMZ300-T15-R-046	Nut M8	2
PMZ300-T15-R-047	Holder,Rr brake hose	2
PMZ300-T15-R-048	Self lock Nut	1
PMZ300-T15-R-049	Bolt M10*65*1.25	4
PMZ300-T15-R-050	Bolt M10*85*1.25	1
PMZ300-T15-R-051	Screw ST4.2*12	4
PMZ300-T15-R-052	hexagon socket screw M6X25	4
PMZ300-T15-R-053	clip,gear sensor	3
PMZ300-T15-R-054	clip speed sensor	2
PMZ300-T15-R-055	Valve,Rim	1
PMZ300-T15-R-056	Rubber cap,Air filter	1
PMZ300-T15-R-057	Seal cap	1
PMZ300-T15-R-058	Wires cover D,φ16	1



Parts No.	Description	Qty per Vehicel
PMZ300-T15-T-001	ABS BRAKE ASSY.	1
PMZ300-T15-T-002	LEVER L	1
PMZ300-T15-T-003	LEVER R	1
PMZ300-T15-T-004	MASTER CYLINDER PUMP RR	1
PMZ300-T15-T-005	MASTER CYLINDER PUMP FR	1
PMZ300-T15-T-006	SWITCH, RR BRAKE	1
PMZ300-T15-T-007	SWITCH, FR BRAKE	1
PMZ300-T15-T-008	RR upper brake pipe	1
PMZ300-T15-T-009	FR.BRAKE TUBE	1
PMZ300-T15-T-010	RR lower brake pipe	1
PMZ300-T15-T-011	FR lower brake pipe	1
PMZ300-T15-T-012	FLANGE NUT M6	2
PMZ300-T15-T-013	BOLT HANDLE LEVER	2



PMZ300-T15-T-014	ABS-ECU	1
PMZ300-T15-T-015	ABS SENSOR WIRE CLIP	1
PMZ300-T15-T-016	BOLT FRONT BRAKE TUBE	8
PMZ300-T15-T-017	LEFT CALIPER ASSY RR	1
PMZ300-T15-T-018	LEFT CALIPER ASSY FR	1
PMZ300-T15-T-019	RR Brake Pad	1
PMZ300-T15-T-020	FR Brake Pad	1
PMZ300-T15-T-021	BRAKE TUBE CLIP 1	1
PMZ300-T15-T-022	BRAKE TUBE CLIP 2	2
PMZ300-T15-T-023	BRAKE TUBE CLIP 3	2
PMZ300-T15-T-024	Oil Seal Gasket	16
PMZ300-T15-T-025	ADJUST BUTTON BASE	1
PMZ300-T15-T-026	ADJUST BUTTON	1



Parts No.	Description	Qty per Vehicle
PMZ300-T15-U-001	abs main harness	1
PMZ300-T15-U-002	flasher	1
PMZ300-T15-U-003	horn	1
PMZ300-T15-U-004	Single stand flameout switch	1
PMZ300-T15-U-005	ECU relay	4
PMZ300-T15-U-006	Ignition coil (high voltage package)	1
PMZ300-T15-U-007	rectifier	1
PMZ300-T15-U-008	ECU	1
PMZ300-T15-U-009	Battery	1
PMZ300-T15-U-010	starter relay	1
PMZ300-T15-U-011	High voltage package cap (including wire)	1
PMZ300-T15-U-012	rubber strap	2
PMZ300-T15-U-013	rubber strap	1
PMZ300-T15-U-014	Threading clamp ϕ 15	3
PMZ300-T15-U-015	cable tie	8