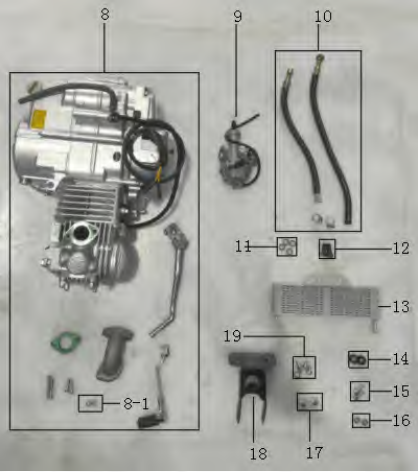
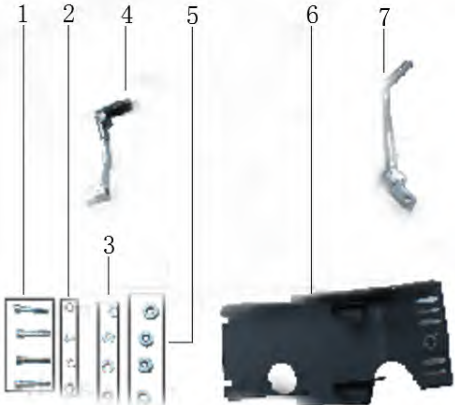

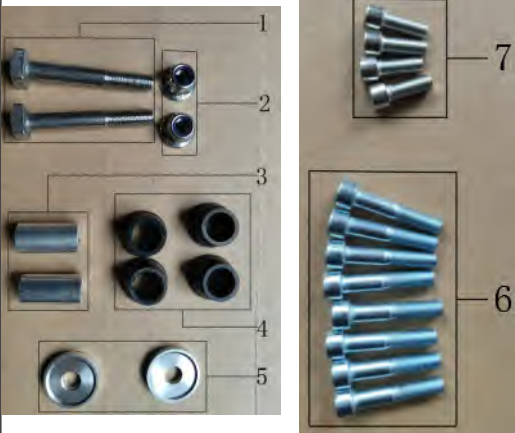
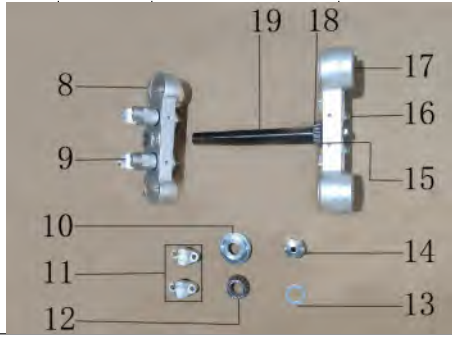


PAD140-V2

		Engine		
		Parts No.	Discription	Qty per Vehicel
		PAD140-V2-A-001	FLANGE BOLT M8*40	4
		PAD140-V2-A-002	LOCK WASHERΦ8*13*2	4
		PAD140-V2-A-003	WASHER Φ8*16*1.5	4
		PAD140-V2-A-004	SHIFT LEVER	1
		PAD140-V2-A-005	BUSHING Φ8*20*L16	4
		PAD140-V2-A-006	V1S STEEL TRAY SY	1
		PAD140-V2-A-007	KICK STARTER Φ13	1
		PAD140-V2-A-008	YX150CC ENGINE, MANUAL ,ELECTRIC START ,NON-ASBESTOS	1
		PAD140-V2-A-008-01	FLANGE NUT M6	2
		PAD140-V2-A-009	CARBURETOR ASSEMBLY PZ27A-1Le	1
		PAD140-V2-A-010	RUBBER OIL COOLING PIPE Ø10 L=500	2
		PAD140-V2-A-011	VULCANIZED WASHER FOR OIL COOLER Φ10	2
		PAD140-V2-A-012	OIL COOLER OVER OIL BOLT M10*25	2
		PAD140-V2-A-013	OIL COOLERS SILVER LENGTH 235 MM HOLE DISTANCE 60 M10	1
		PAD140-V2-A-014	RUBBER O RING Φ10*18*H7	2
		PAD140-V2-A-015	FLANGE BOLTM6*20	2
		PAD140-V2-A-016	LOCKNUT M6	2
		PAD140-V2-A-017	OIL COOLER T-RING CZL Ø7*9*H7.5+Ø20*T2	2
		PAD140-V2-A-018	V2S OIL COOLER HOLDER	1
		PAD140-V2-A-019	FLANGE BOLT M6*12	4

Muffler			
DIAGRAM	Parts No.	Discription	Qty per Vehicel
	PAD140-V2-B-001	LOCKNUT M8	1
	PAD140-V2-B-002	K1/D MUFFLER HEAD PIPE Φ38	1
	PAD140-V2-B-003	FLANGE BOLT M8*20	1
	PAD140-V2-B-004	K MUFFLER HEAD PIPE CWH SY-XYG-12	1
	PAD140-V2-B-005	MUFFLER GASKET Φ32MM	1
	PAD140-V2-B-006	FLANGE NUT M6	2

		Parts No.	Discription	Qty per Vehicel
		PAD140-V2-C-001	SQUARE BOLT M10*70	2
		PAD140-V2-C-002	LOCKNUT M10	2
		PAD140-V2-C-003	BUSHING	2
		PAD140-V2-C-004	WAYTA	4
		PAD140-V2-C-005	LOCK BEARING	2
		PAD140-V2-C-006	FLANGE BOLT M8*40	8
		PAD140-V2-C-007	FLANGE BOLTM8*25	4
		PAD140-V2-C-008	V1S UPPER CLAMP FORGING SILVER Φ45	1
		PAD140-V2-C-009	V1S LOWER PRESSING BLOCK Φ28	2
		PAD140-V2-C-010	NUT M22*1 Φ56	1



PAD140-V2-C-011	V1S UPPER PRESSING BLOCK Φ28	2
PAD140-V2-C-012	BALL BEARING Φ23*44*H15 320/22	1
PAD140-V2-C-013	BIG SHIM Φ22*34*1	1
PAD140-V2-C-014	NUT M22*1	1
PAD140-V2-C-015	RUBBER DUST MAT 24/45 SYMOTOS	1
PAD140-V2-C-016	FLANGE BOLT M6*12	3
PAD140-V2-C-017	V1S LOWER CLAMP Φ48	1
PAD140-V2-C-018	BALL BEARING Φ23*44*H15 320/23.5	1
PAD140-V2-C-019	V2S FANG XIANGZHU L=248 SUIT AF3	1

Frame			
DIAGRAM	Parts No.	Discription	Qty per Vehicel
	PAD140-V2-D-001	V2S DOUBLE BEAM FRAME ASSEMBLY	1
	PAD140-V2-D-002	FLANGE BOLT M6*16	1
	PAD140-V2-D-003	FLANGE BOLT Φ6.5*H6.5+10.5*H6.5	1
	PAD140-V2-D-004	FLANGE BOLT M8*105	1
	PAD140-V2-D-005	FLANGE BOLT M8	2
	PAD140-V2-D-006	FLANGE BOLT M8*115	2
	PAD140-V2-D-007	WASHERΦ8*16*1.5	4
	PAD140-V2-D-008	LOCK WASHERΦ8*13*2	4
	PAD140-V2-D-009	FLANGE BOLT M8*20	4
	PAD140-V2-D-010	V1S ENGINE LEFT AND RIGHT SLINGS 3-Φ8.4	1

Pedal			
DIAGRAM	Parts No.	Discription	Qty per Vehicel
	PAD140-V2-E-001	V2S SIDE STAND L=430 17/14	1
	PAD140-V2-E-002	V ATTACHED TO THE UP-WALK BRAKE PEDAL ASSEMBLY	1
	PAD140-V2-E-003	FLANGE BOLT M10*25 S17	1
	PAD140-V2-E-004	FLANGE BOLT M6*12	1
	PAD140-V2-E-005	LOCK WASHERΦ6	1
	PAD140-V2-E-006	FLANGE BOLT M8*20	2
	PAD140-V2-E-007	WASHER Φ8*16*1.5	2
	PAD140-V2-E-008	LOCK WASHERΦ8*13*2	2
	PAD140-V2-E-009	FLANGE BOLT M8*40	2
	PAD140-V2-E-010	FLANGE BOLT M6*16	1
	PAD140-V2-E-011	FLANGE BOLT M6	1
	PAD140-V2-E-012	V1S REAR BRAKE PEDAL PULL CABLE L=115 M6*25	2
	PAD140-V2-E-013	SY LEFT FOOT TREADER	1
	PAD140-V2-E-014	RIGHT FOOTPEG	1
	PAD140-V2-E-015	RIGHT FOOT SPRING Φ18.8*Φ1.8*H7.5*4	1
	PAD140-V2-E-016	AXIS PIN Φ8*42.5+Φ3*39	2
	PAD140-V2-E-017	SPLIT COTTER 2.5*30	2
	PAD140-V2-E-018	REAR BRAKE TENSION SPRING Φ12*Φ2*H27 L=62	1
	PAD140-V2-E-019	SIDE STAND SPRING Φ15*Φ2.5*H40 L=110	1
	PAD140-V2-E-020	LEFT RIGHT FOOTPEG	1
	PAD140-V2-E-021	LEFT FOOT STEP SPRING Φ18.8*Φ1.8*H7.5*4	1
	PAD140-V2-E-022	SY RIGHT-SIDE FOOT TREADER	1

PAD140-V2-E-023	BRAKE PEDAL BEARING	2
-----------------	---------------------	---

Rear fork		
Parts No.	Discription	Qty per Vehicel
PAD140-V2-F-001	FLANGE BOLT M8*40 S12	1
PAD140-V2-F-002	FLANGE NUT M8	1
PAD140-V2-F-003	BALL BEARING $\Phi 8 \times 22 \times H7$	2
PAD140-V2-F-004	BLACK CONCAVE GUIDE SPROCKET	1
PAD140-V2-F-005	BLACK CHAIN STOPPER ASSEMBLY	1
PAD140-V2-F-006	FLANGE BOLT M8*55	1
PAD140-V2-F-007	BUSHING $\Phi 8 \times 10 \times L3.5$	1
PAD140-V2-F-008	FLANGE BOLT M8	1
PAD140-V2-F-009	CHAIN SF 428H 116L	1
PAD140-V2-F-010	FLANGE BOLT M6*16	2
PAD140-V2-F-011	BLACK REAR BRAKE TUBING SEAT	1
PAD140-V2-F-012	FLANGE BOLT M6*12	2
PAD140-V2-F-013	FRONT CHAIN SLIDER SY	1
PAD140-V2-F-014	FLANGE BOLT M12*1.25	1
PAD140-V2-F-015	BALL BEARING 6200Z $\Phi 12 \times 30 \times H9$	2
PAD140-V2-F-016	SWINGARM AXLE $\Phi 12 \times 220 \times M12 \times 1.25 \text{MM}$	1
PAD140-V2-F-017	FLAT FORK TUBES $\Phi 12 \times 22 \times L160$	1
PAD140-V2-F-018	STEEL STRAIGHT FORK L=550 $\Phi 15$	1

DIAGRAM		Suspension		
Parts No.	Discription	Qty per Vehicel		
PAD140-V2-G-001	RIGHT FRONT FORK ASSY LC L=780 SY $\Phi 15$	1		
PAD140-V2-G-002	LEFT FRONT FORK ASSY LS L=780 SY $\Phi 20$	1		
PAD140-V2-G-003	REAR SHOCK ABSORBER SX $\Phi 11$ L=280 $\Phi 10 \times 800 \text{LBS}$	1		
PAD140-V2-G-004	FLANGE BOLT M10*1.25	2		
PAD140-V2-G-005	FLANGE BOLT M10*55	2		

Handle bar		
Parts No.	Discription	Qty per Vehicel
PAD140-V2-H-001	FRONT LARGE DOUBLE DISC BRAKE ASSEMBLY 1150MM	1
PAD140-V2-H-001-01	DISC BRAKE SHOE BLOCK	2
PAD140-V2-H-001-02	DISC BRAKE BRACKET	1
PAD140-V2-H-002	CLUTCH HANDLE ASSEMBLY SY	1
PAD140-V2-H-003	BLACK LEFT HANDLEBAR	1
PAD140-V2-H-004	BLACK RIGHT HANDLEBAR	1
PAD140-V2-H-005	DAYTONA THROTTLE HOUSING LIKEE	1
PAD140-V2-H-006	FLANGE BOLT M8*40	2
PAD140-V2-H-007	RUBBER CABLE HARNESS STRAP 14*94 SYMOTOS	2
PAD140-V2-H-008	V1S REAR CLUTCH CABLE ZS190 L=970	1
PAD140-V2-H-009	THROTTLE HOUSING L=977	1
PAD140-V2-H-010	REAR LARGE SINGLE DISC BRAKE ASSEMBLY L=600	1

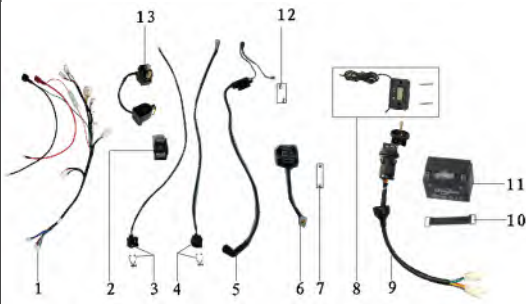


PAD140-V2-H-011	FLANGE BOLT M6*25	3
PAD140-V2-H-012	FLANGE BOLT M6	3
PAD140-V2-H-013	CLUTCH HANDLE JACKET SY	1
PAD140-V2-H-014	HANDLEBAR CNC 780*150*65 SY	1
PAD140-V2-H-015	SQUARE JACKET ASSEMBLY SYMOTOS	1
PAD140-V2-H-016	HOUR METER BLACK DJ101	1

DIAGRAM	Front Wheel		
	Parts No.	Discription	Qty per Vehicel
	PAD140-V2-I-001	FRONT WHEEL AXLE $\Phi 15 \times 60 \times 223 \times M14 \times 1.5 \text{MM}$	1
	PAD140-V2-I-002	BUSHING $\Phi 15 \times 22 \times L5$	1
	PAD140-V2-I-003	BUSHING $\Phi 15 \times 22 \times L40$	1
	PAD140-V2-I-004	FLANGE BOLT M14*1.5	1
	PAD140-V2-I-005	DISC BRAKE DISC /P380A $\Phi 76 \times 220 \times H3.5$	1
	PAD140-V2-I-006	FLANGE BOLT M8*20	4
	PAD140-V2-I-007	FRONT TIRE ASSY 70/100-17	1
	PAD140-V2-I-008	FRONT WHEEL ASSY 50-2 1.6-17 $\Phi 15$	1

DIAGRAM	Rear Wheel		
	Parts No.	Discription	Qty per Vehicel
	PAD140-V2-J-001	STEEL REAR SPRCOKET 420-41T $\Phi 76$	1
	PAD140-V2-J-002	SPROCKET WHEEL LOCK PIECE	2
	PAD140-V2-J-003	FLANGE BOLT M8*25	4
	PAD140-V2-J-004	DISC BRAKE DISC $\Phi 76 \times 190 \times H3.5$	1
	PAD140-V2-J-005	FLANGE BOLT M8*20	4
	PAD140-V2-J-006	FLANGE BOLT M14*1.5	1
	PAD140-V2-J-007	BUSHING $\Phi 15 \times 22 \times L38$	1
	PAD140-V2-J-008	BUSHING $\Phi 15 \times 22 \times L31$	1
	PAD140-V2-J-009	ALUMINUM CHAIN BLOCK	2
	PAD140-V2-J-010	SWINGARM AXLE $\Phi 15 \times 225 \times M14 \times 1.5 \text{MM}$	1
	PAD140-V2-J-011	RUBBER TIRE CLIP 1.85	1
	PAD140-V2-J-012	REAR TIRE ASSY 90/100-14	1
	PAD140-V2-J-013	REAR WHEEL ASSY 1.85-14. $\Phi 15$	1

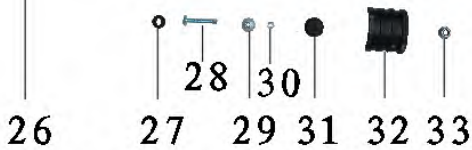
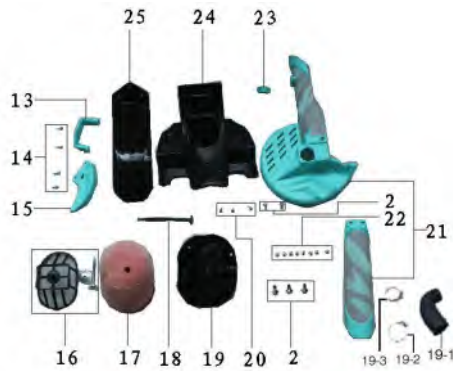
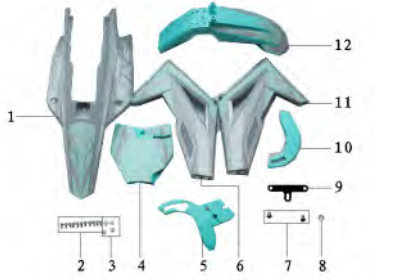
DIAGRAM	Electrical Parts		
	Parts No.	Discription	Qty per Vehicel
	PAD140-V2-K-001	V2S START MAIN CABLE 190CC	1
	PAD140-V2-K-002	WATERPROOF IGNITER 120-160CC	1



PAD140-V2-K-003	GREY V1S START SWITCH 2.0-21 L=700	1
PAD140-V2-K-004	RED V1S FLAMEOUT SWITCH 2.0-11 L=700	1
PAD140-V2-K-005	IGNITION COIL L=600	1
PAD140-V2-K-006	KT02-508J RECTIFIER	1
PAD140-V2-K-007	FLANGE BOLT M6*8	2
PAD140-V2-K-008	BLACK HOUR METER BLACK DJ101	1
PAD140-V2-K-009	V1S MAIN SWITCH L=280	1
PAD140-V2-K-010	BATTERY STRIP 110*20	1
PAD140-V2-K-011	BATTERY 6MF4L 12V4AH 112*69*87MM	1
PAD140-V2-K-012	FLANGE BOLT M6*16	2
PAD140-V2-K-013	KB60 RELAY 50-250CC	1

塑料件 黑色/灰色[蓝色高亮为灰色塑件]
 【湖蓝色前泥、湖蓝前面、黑色左右车体、湖蓝色减震护板、湖蓝色车架护

DIAGRAM



Plastic parts

Parts No.	Discription	Qty per Vehicel
PAD140-V2-L-001	GREY KTM65 REAR FENDER	1
PAD140-V2-L-001-01	GREY KTM65 REAR FENDER	1
PAD140-V2-L-002	FLANGE BOLT M6*12	16
PAD140-V2-L-003	SHIM Φ6.3*16.5*H4	1
PAD140-V2-L-004	GREY KTM65 FRONT FENDER	1
PAD140-V2-L-004-01	GREY KTM65 FRONT FENDER	1
PAD140-V2-L-005	GREY V2S FRONT RIGHT FENDER	1
PAD140-V2-L-005-01	GREY V2S FRONT RIGHT FENDER	1
PAD140-V2-L-006	GREY V2S FRONT LEFT FENDER	1
PAD140-V2-L-006-01	GREY V2S FRONT LEFT FENDER	1
PAD140-V2-L-007	FLANGE BOLT M6*12	2
PAD140-V2-L-008	FLANGE BOLT M6	1
PAD140-V2-L-009	K1 PANEL BRACKET 2-Φ7	1
PAD140-V2-L-010	GREY V2S FRAME LEFT GUARD PLATE	1
PAD140-V2-L-010-01	GREY V2S FRAME LEFT GUARD PLATE	1
PAD140-V2-L-011	GREY V2S FRONT RIGHT GUARD	8
PAD140-V2-L-011-01	GREY V2S FRONT RIGHT GUARD	8
PAD140-V2-L-012	GREY KTM65 FRONT FENDER	2
PAD140-V2-L-012-01	GREY KTM65 FRONT FENDER	2
PAD140-V2-L-013	GREY V2S REAR BRAKE ON THE PUMP COVER	2
PAD140-V2-L-013-01	GREY V2S REAR BRAKE ON THE PUMP COVER	2
PAD140-V2-L-014	FLANGE BOLT M6*12	4
PAD140-V2-L-015	GREY V2S REAR DISC BRAKE COVER	2
PAD140-V2-L-015-01	GREY V2S REAR DISC BRAKE COVER	2
PAD140-V2-L-016	BLACK V2S AIR FILTER FIXING BRACKET	1
PAD140-V2-L-017	V2S AIR FILTER SPONGE	5
PAD140-V2-L-018	V2S SINGLE BRACE LANYARD L=140	1
PAD140-V2-L-019	WHITE V2S AIR FILTER BOX Φ50	1
PAD140-V2-L-019-01	V2S AIR FILTER PIPE	1
PAD140-V2-L-019-02	Stainless steel hoop φ27-51	1
PAD140-V2-L-019-03	Stainless steel hoop φ27-51	1
PAD140-V2-L-020	FLANGE BOLT ST4.2*12 Φ8	3
PAD140-V2-L-021	GREY FRONT PROTECTION PLATE ASSEMBLY SY	1
PAD140-V2-L-021-01	GREY FRONT PROTECTION PLATE ASSEMBLY SY	1

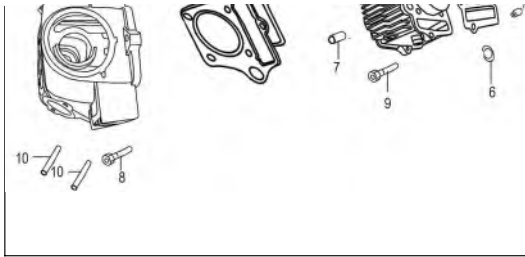
	PAD140-V2-L-022	FLANGE BOLT M6*12	8
	PAD140-V2-L-023	GREY FRONT CUT GUARD BUCKLE SY	1
	PAD140-V2-L-023-01	GREY FRONT CUT GUARD BUCKLE SY	1
	PAD140-V2-L-024	BLACK V2S DYCUB	1
	PAD140-V2-L-025	BLACK V2S SMALL DYCUB	1
	PAD140-V2-L-026		1
	PAD140-V2-L-026-01		
	PAD140-V2-L-027	RUBBER O RING $\Phi 10 \times 18 \times 7$	1
	PAD140-V2-L-028	FLANGE BOLT M6*60 $\Phi 13.5$	1
	PAD140-V2-L-029	TANK T JACKET $\Phi 7 \times 9 \times 11 + \Phi 20 \times T2$	1
	PAD140-V2-L-030	ALUMINIUM BUSHING $\Phi 6 \times 12 \times L25$	1
	PAD140-V2-L-031	RUBBER T CZL	1
	PAD140-V2-L-032	fuel tank bumper	1
	PAD140-V2-L-033	FLANGE BOLT M8	1
	PAD140-V2-L-034	WHITE LAMP SCREEN SY	1
	PAD140-V2-L-035	FRONT HEAD LAMP SUPPORT L166mm, L90MM	1
	PAD140-V2-L-036	FLANGE BOLT M6*16	2
	PAD140-V2-L-037	FLANGE BOLT M6*16	1
	PAD140-V2-L-038	FLANGE BOLT M6*12	2
	PAD140-V2-L-039	FLANGE BOLT M6	3
PAD140-V2-L-040	FLANGE BOLT ST5*12 $\Phi 12$	2	
PAD140-V2-L-041	HEAD LED LIGHT	1	

DIAGRAM		Fuel Tank		
		Parts No.	Discription	Qty per Vehicel
	1	PAD140-V2-M-001	BLACK CNC SNIFFING VALVE	1
	2	PAD140-V2-M-002	CRF50 APPELLATION	1
	3	PAD140-V2-M-003	FUEL LINE CLIP $\Phi 8$	2
	4	PAD140-V2-M-004	CRF110 FUEL TANK SWITCH	2
	5	PAD140-V2-M-005	FLANGE BOLT M6*12	2
	6	PAD140-V2-M-006	DOUBLE TUBING JBD-4585-HS $\Phi 4.5 \times 8.5$	1
	7	PAD140-V2-M-007	V2S FUEL TANK ASSEMBLY NO SWITCH	1

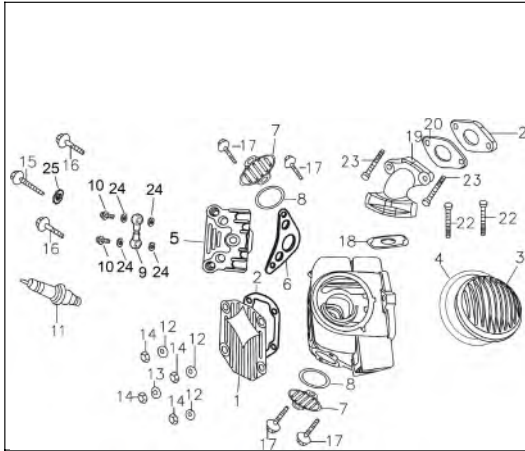
		Fuel Tank		
		Parts No.	Discription	Qty per Vehicel
	1	PAD140-V2-N-001	SUB REAR FRAME ASSY	1
	2	PAD140-V2-N-002	FRONT BRAKE CABLE CLIP	1
	3	PAD140-V2-N-003	GREASE FITTING	1
	4	PAD140-V2-N-004	RIBBON	1
	5	PAD140-V2-N-005	GREASE CAP	1
	6	PAD140-V2-N-006	RIBBON	1
	7	PAD140-V2-N-007	RUBBER LABEL	2

E-1

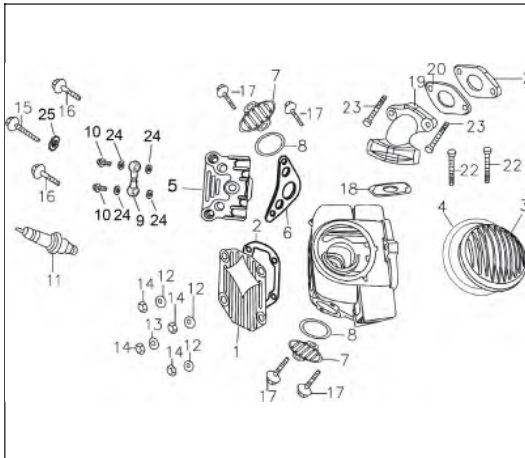
		Parts No.	Description
	1	PAD140-V2-O-001	Cylinder head component
	2	PAD140-V2-O-002	Cylinder head gasket
	3	PAD140-V2-O-003	Cylinder
	4	PAD140-V2-O-004	Cylinder gasket



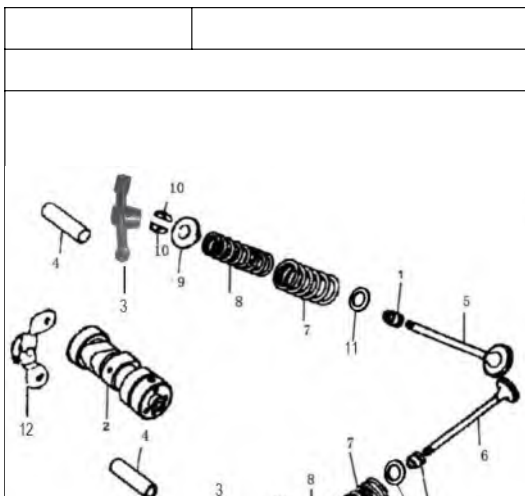
PAD140-V2-O-005	Dowel pin
PAD140-V2-O-006	Square ring
PAD140-V2-O-007	Dowel pin
PAD140-V2-O-008	Connecting bolt
PAD140-V2-O-009	Connecting bolt
PAD140-V2-O-010	double screw bolts



Cylinder Head	
Parts No.	Description
PAD140-V2-P-001	Cylinder head cover
PAD140-V2-P-002	Cylinder head cover gasket
PAD140-V2-P-003	Cylinder head left cover
PAD140-V2-P-004	Cylinder head left cover gasket
PAD140-V2-P-005	Cylinder head right cover
PAD140-V2-P-006	Cylinder head right cover gasket
PAD140-V2-P-007	Valve cover
PAD140-V2-P-008	O-seal ring
PAD140-V2-P-009	Oil cooled oil return pipe
PAD140-V2-P-010	Oil cooling pipe bolt
PAD140-V2-P-011	Spark plug
PAD140-V2-P-012	iron washer
PAD140-V2-P-013	copper washer
PAD140-V2-P-014	Cap type nut
PAD140-V2-P-015	bolt
PAD140-V2-P-016	Screw, hexagon socket head



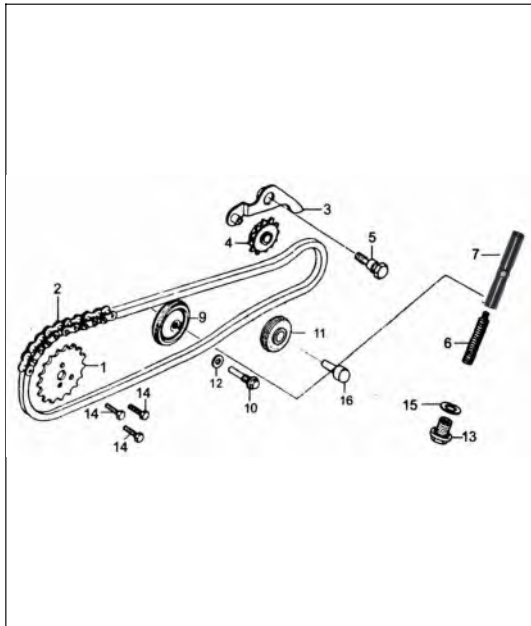
E-2	
Parts No.	Description
PAD140-V2-P-017	bolt
PAD140-V2-P-018	Gasket,intake pipe
PAD140-V2-P-019	Intake pipe
PAD140-V2-P-020	Seal gasket, carburetor
PAD140-V2-P-021	Bakelite gasket, carburetor
PAD140-V2-P-022	bolt
PAD140-V2-P-023	bolt
PAD140-V2-P-024	Aluminum washer
PAD140-V2-P-025	Aluminum washer



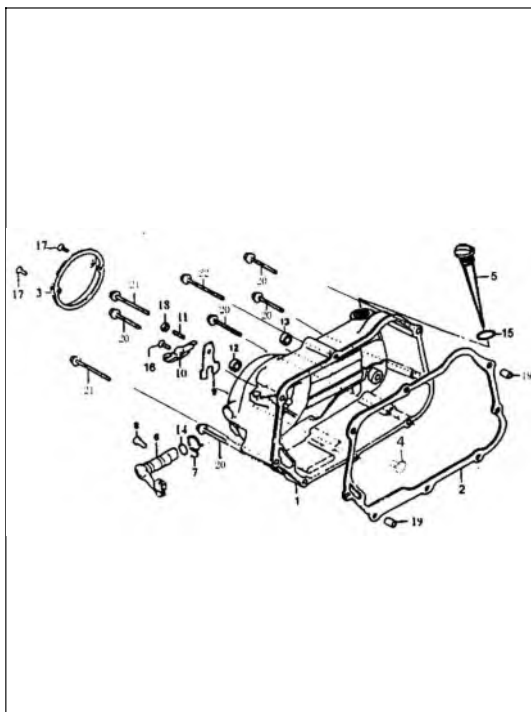
E-3	
Parts No.	Description
PAD140-V2-Q-001	Oil seal, valve stem assembly
PAD140-V2-Q-002	camshaft component
PAD140-V2-Q-003	Valve rocker arm component
PAD140-V2-Q-004	rockshaft
PAD140-V2-Q-005	Intake valve
PAD140-V2-Q-006	Exhaust valve
PAD140-V2-Q-007	valve outer spring
PAD140-V2-Q-008	Valve inner spring
PAD140-V2-Q-009	Valve inner and outer spring seat



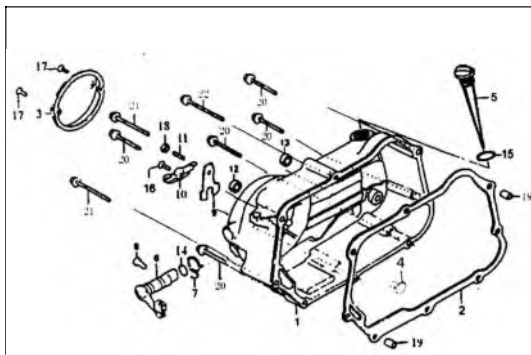
PAD140-V2-Q-010	Valve cliper
PAD140-V2-Q-011	valve outer spring seat
PAD140-V2-Q-012	Limit plate component



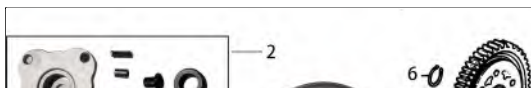
Parts No.	Description
PAD140-V2-R-001	Timing driven sprocket
PAD140-V2-R-002	Timing chain
PAD140-V2-R-003	Tensioning arm
PAD140-V2-R-004	Tensioning Roller
PAD140-V2-R-005	Mandrel, tensioning arm
PAD140-V2-R-006	Spring
PAD140-V2-R-007	Tensioning bar
PAD140-V2-R-008	Chain guide roller assembly
PAD140-V2-R-009	Pin shaft, chain guide roller
PAD140-V2-R-010	Chain tensioning roller II
PAD140-V2-R-011	Aluminum washer
PAD140-V2-R-012	Seal socket plug
PAD140-V2-R-013	Hexagon head bolt (Full-thread)
PAD140-V2-R-014	Aluminum washer
PAD140-V2-R-015	Mandrel, chain tensioning roller II



Parts No.	Description
PAD140-V2-S-001	right crankcase cover
PAD140-V2-S-002	Right crankcase cover gasket
PAD140-V2-S-003	Right decorate cover
PAD140-V2-S-004	Push rod set
PAD140-V2-S-005	Dipstick
PAD140-V2-S-006	Operating shaft,clutch
PAD140-V2-S-007	Sping, operating shaft
PAD140-V2-S-008	Locating pin, operting shaft
PAD140-V2-S-009	Control plate
PAD140-V2-S-010	Press board, clutch
PAD140-V2-S-011	Adjusting bolt, clutch
PAD140-V2-S-012	oil seal
PAD140-V2-S-013	oil seal
PAD140-V2-S-014	O-seal ring
PAD140-V2-S-015	O-seal ring
PAD140-V2-S-016	Cross recessed countersunk head screw



E-5		Right Crankcase Cover
Parts No.	Description	
PAD140-V2-S-017	cross recess pan head screw	
PAD140-V2-S-018	Type 1 hexagon nut	
PAD140-V2-S-019	Dowel pin	
PAD140-V2-S-020	bolt	
PAD140-V2-S-021	bolt	
PAD140-V2-S-022	bolt	




E-6		Clutch
Parts No.	Description	

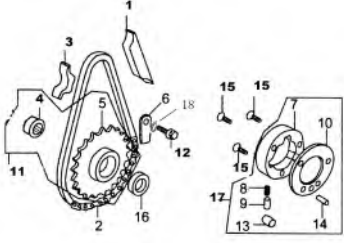
	PAD140-V2-T-001	Clutch body
	PAD140-V2-T-002	Clutch accessory assembly
	PAD140-V2-T-003	Driving gear
	PAD140-V2-T-004	Driving gear shaft sleeve
	PAD140-V2-T-005	Driven gear
	PAD140-V2-T-006	Retaining ring, driven gear


	E-7	Left Crankcase Cover & Magnetic Motor
	Parts No.	Description
	PAD140-V2-U-001	Left Crankcase Cover Plate
	PAD140-V2-U-002	Rear Cover,LH
	PAD140-V2-U-003	Gasket,Crankcase,LH
	PAD140-V2-U-004	O-ring
	PAD140-V2-U-005	Rotor,Magneto
	PAD140-V2-U-006	Stator,Magneto
	PAD140-V2-U-007	Wire Clamp
	PAD140-V2-U-008	A.c generator cap
	PAD140-V2-U-009	hole plug
	PAD140-V2-U-010	Lock Nut
	PAD140-V2-U-011	O-ring
	PAD140-V2-U-012	O-ring
	PAD140-V2-U-013	Bolt
PAD140-V2-U-014	Set Pin	
PAD140-V2-U-015	Bolt	

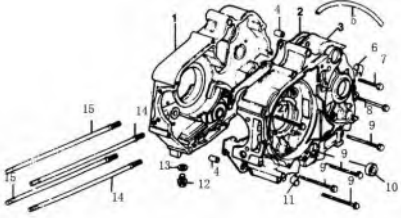
	E-7	Left Crankcase Cover & Magnetic Motor
	Parts No.	Description
	PAD140-V2-U-016	Bolt
	PAD140-V2-U-017	Bolt
	PAD140-V2-U-018	Bolt
	PAD140-V2-U-019	Screw
	PAD140-V2-U-020	Wire Clamp
	PAD140-V2-U-021	Screw
	PAD140-V2-U-022	Crankcase Cover,LH
	PAD140-V2-U-023	O-ring
	PAD140-V2-U-024	Oil seal
	PAD140-V2-U-025	Bolt
	PAD140-V2-U-026	Bolt
	PAD140-V2-U-027	Bolt
	PAD140-V2-U-028	Rubber plug
	PAD140-V2-U-029	Washer, gearshift drum
	PAD140-V2-U-030	Baffle, valve camshaft
	PAD140-V2-U-031	Hexagon head bolt (Full-thread)
PAD140-V2-U-032	Bolt	

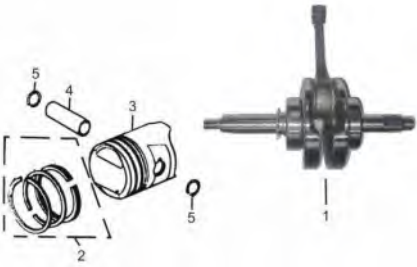
	E-8	Oil Pump
	Parts No.	Description
	PAD140-V2-V-001	Oil pump assembly
	PAD140-V2-V-002	Gasket,oil pump
PAD140-V2-V-003	Cross recessed countersunk head screw	
PAD140-V2-V-004	Cross recessed countersunk head screw	

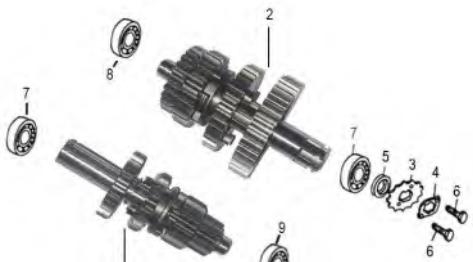
	PAD140-V2-V-005	Dowel pin
	PAD140-V2-V-006	Gauze comp.


	E-9	Starting Clutch
	Parts No.	Description
	PAD140-V2-W-001	Starter chain guide
	PAD140-V2-W-002	starting chain
	PAD140-V2-W-003	Guide plate, chain
	PAD140-V2-W-005	starting sprocket component
	PAD140-V2-W-006	clamp plate of starting sprocket
	PAD140-V2-W-012	Hexagon head bolt (Full-thread)
	PAD140-V2-W-016	oil seal


	E-10	
	Parts No.	Description
	PAD140-V2-X-001	Starting motor
	PAD140-V2-X-002	bolt

	E-11	
	Parts No.	Description
	PAD140-V2-Y-001	Right Crankcase component
	PAD140-V2-Y-002	Crankcase gasket
	PAD140-V2-Y-003	left crankcase assembly
	PAD140-V2-Y-004	Dowel pin
	PAD140-V2-Y-005	air pip
	PAD140-V2-Y-006	Clamp, exhaust pipe
	PAD140-V2-Y-007	bolt
	PAD140-V2-Y-008	bolt
	PAD140-V2-Y-009	bolt
	PAD140-V2-Y-010	oil seal
	PAD140-V2-Y-011	Overflow pipe clamp
	PAD140-V2-Y-012	Plug, drain
	PAD140-V2-Y-013	Aluminum washer
	PAD140-V2-Y-014	double screw bolts A
PAD140-V2-Y-015	double screw bolts B	

	E-12	Crankshaft& Piston
	Parts No.	Description
	PAD140-V2-Z-001	Crank connecting rod assembly
	PAD140-V2-Z-002	Piston ring sets
	PAD140-V2-Z-003	Piston
	PAD140-V2-Z-004	Pin, piston
PAD140-V2-Z-005	C-shaped retaining ring , piston pin	

	E-13	Transmission
	Parts No.	Description
	PAD140-V2-AA-001	Main shaft components
	PAD140-V2-AA-002	Countershaft assembly
	PAD140-V2-AA-003	Driving sprocket
	PAD140-V2-AA-004	Driving sprocket fixing plate
	PAD140-V2-AA-005	oil seal
PAD140-V2-AA-006	Hexagon head bolt (Full-thread)	

	PAD140-V2-AA-007	Bearing
	PAD140-V2-AA-008	Bearing
	PAD140-V2-AA-009	Bearing

	E-14	Kick-Starter
	Parts No.	Description
	PAD140-V2-BB-001	Starting shaft component
	PAD140-V2-BB-002	kick starter
	PAD140-V2-BB-003	Gearshift arm assembly
	PAD140-V2-BB-004	Positioning bolt, gearshift arm
	PAD140-V2-BB-005	Gearshift drum
	PAD140-V2-BB-006	Locator,gearshift
	PAD140-V2-BB-007	Spring, gearshift locator
	PAD140-V2-BB-008	Gearshift padel
	PAD140-V2-BB-009	oil seal
PAD140-V2-BB-010	Hexagon head bolt (Full-thread)	