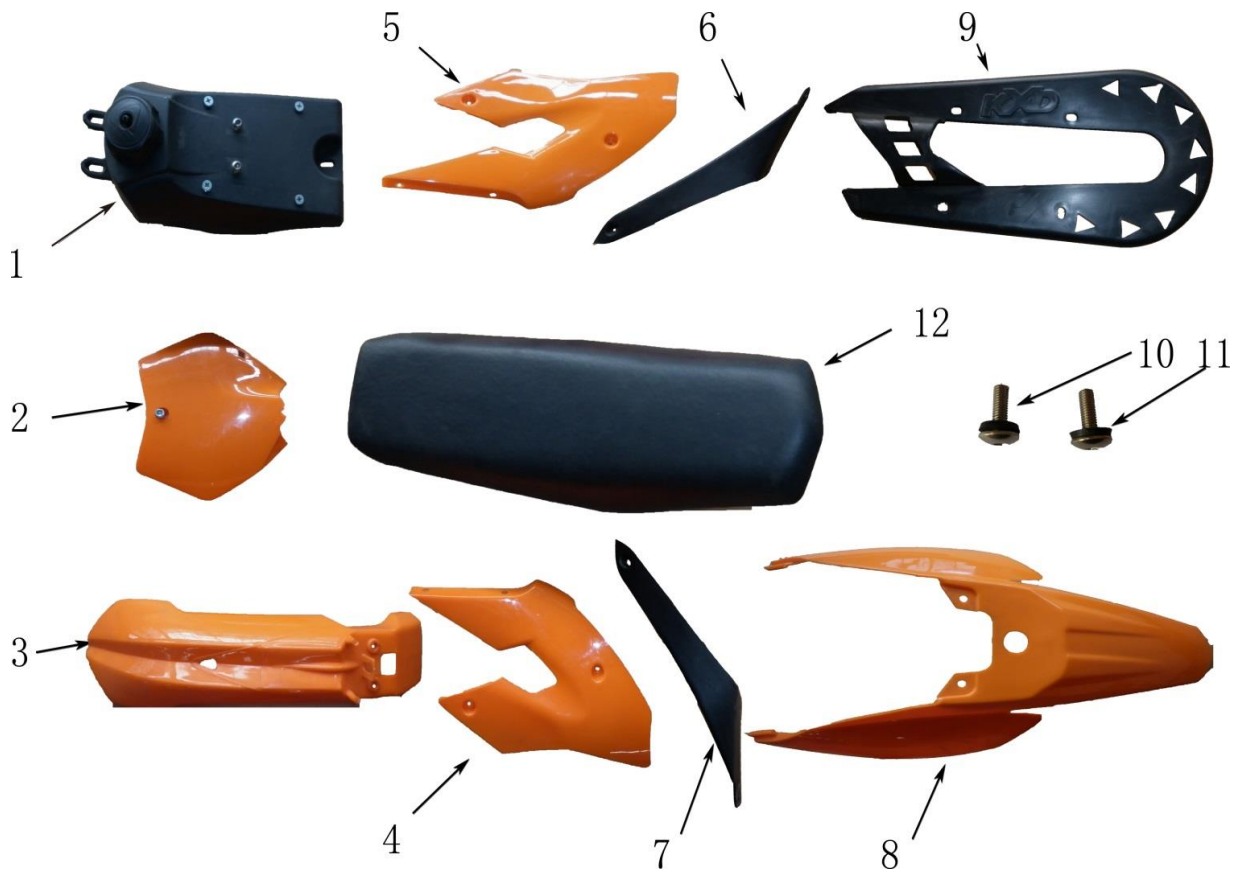
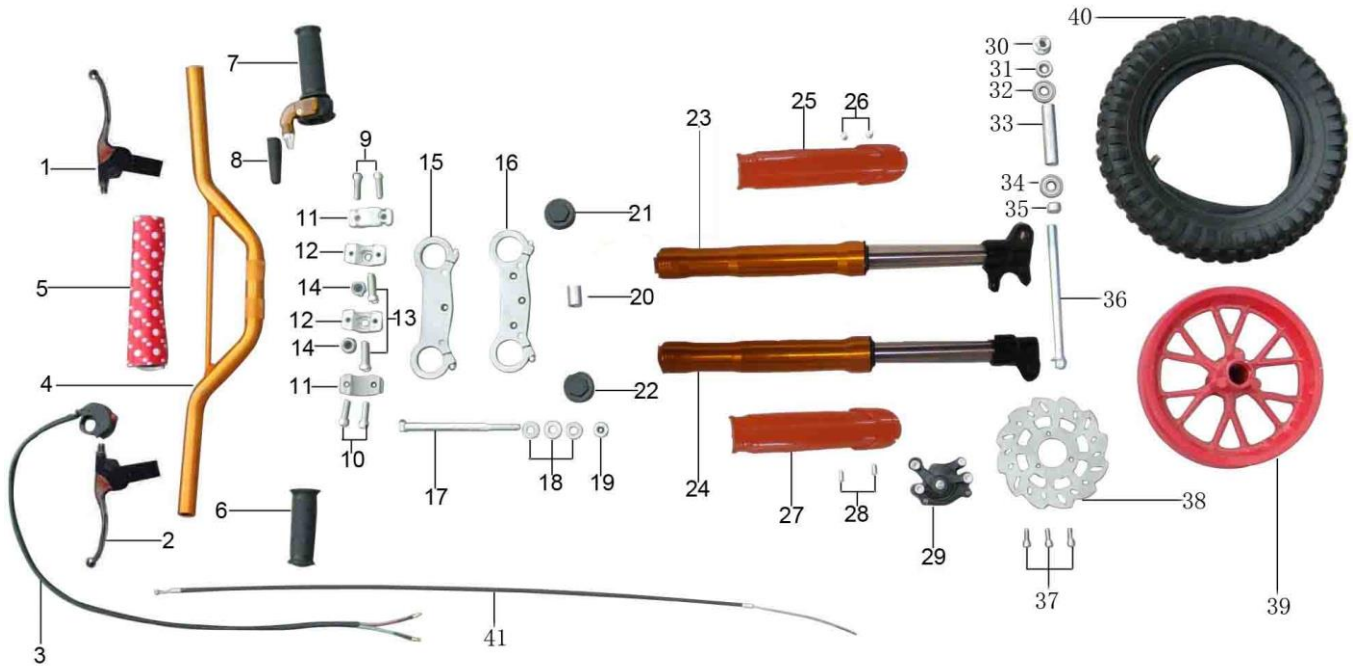


1. Plastic cover 塑料件



No.	cebear Parts No	Factory's Parts no.	Discription	Chinese Name	Qty
1	PAD50-2-A-001	DB706A-001	fuel tank	油箱	1
2	PAD50-2-A-002	DB706A-002	metal plate	一体数字牌/前挡泥板	1
3	PAD50-2-A-003	DB706A-003	front fender		1
4	PAD50-2-A-004	DB706A-004	front cover, left	前左护板	1
5	PAD50-2-A-005	DB706A-005	front cover, right	前右护板	1
6	PAD50-2-A-006	DB706A-006	rear cove, right	后右护板	1
7	PAD50-2-A-007	DB706A-007	rear cove, left	后右护板	1
8	PAD50-2-A-008	DB706A-008	rear fender	后挡泥板	1
9	PAD50-2-A-009	DB706A-009	chain cover	链罩	1
10	PAD50-2-A-010	DB706A-010	bolt	塑料件安装螺丝	18
11	PAD50-2-A-011	DB706A-011	rubber plain washer	橡胶平垫	18
12	PAD50-2-A-012	DB706A-012	seat	座垫	1

2. Front wheel 前轮



No.	cebear Parts No	Factory's Parts no.	Discription	Chinese Name	Qty
1	PAD50-2-B-001	DB706A-013	right handle	右刹把	1
2	PAD50-2-B-002	DB706A-014	left handle	左刹把	1
3	PAD50-2-B-003	DB706A-015	switch stop	熄火开关	1
4	PAD50-2-B-004	DB706A-016	handle bar	手把	1
5	PAD50-2-B-005	DB706A-017	cover,cushion	手把装饰套	1
6	PAD50-2-B-006	DB706A-018	left handle grip	左把套	1
7	PAD50-2-B-007	DB706A-019	right handle grip	油门转把	1
8	PAD50-2-B-008	DB706A-020	right handle grip protection	油门护套	1
9	PAD50-2-B-009	DB706A-021	bolt	右上卡座安装螺栓	2
10	PAD50-2-B-010	DB706A-022	bolt	左上卡座安装螺栓	2
11	PAD50-2-B-011	DB706A-023	bracket,top riser	上卡座	2
12	PAD50-2-B-012	DB706A-024	bracket,bottom riser	下卡座	2
13	PAD50-2-B-013	DB706A-025	bolt	下卡座安装螺栓	2
14	PAD50-2-B-014	DB706A-026	screw	下卡座安装螺母	2
15	PAD50-2-B-015	DB706A-027	triple tree, top	上连板	1
16	PAD50-2-B-016	DB706A-028	triple tree, bottom	下连板	1
17	PAD50-2-B-017	DB706A-029	direction turning	方向转动轴	1
18	PAD50-2-B-018	DB706A-030	shim	垫片	3
19	PAD50-2-B-019	DB706A-031	screw	螺母	1
21	PAD50-2-B-020	DB706A-033	front protection I	前叉装饰盖I	1
22	PAD50-2-B-021	DB706A-034	front protection II	前叉装饰盖II	1
23	PAD50-2-B-022	DB706A-035	front fork,left	左边前叉	1
24	PAD50-2-B-023	DB706A-036	front fork,right	右边前叉	1
25	PAD50-2-B-024	DB706A-037	front protection ,left	左前叉护板	1
26	PAD50-2-B-025	DB706A-038	screw,left	左前叉护板安装螺栓	1
27	PAD50-2-B-026	DB706A-039	front protection,right	右前叉护板	1
28	PAD50-2-B-027	DB706A-040	screw,right	右前叉护板安装螺栓	1

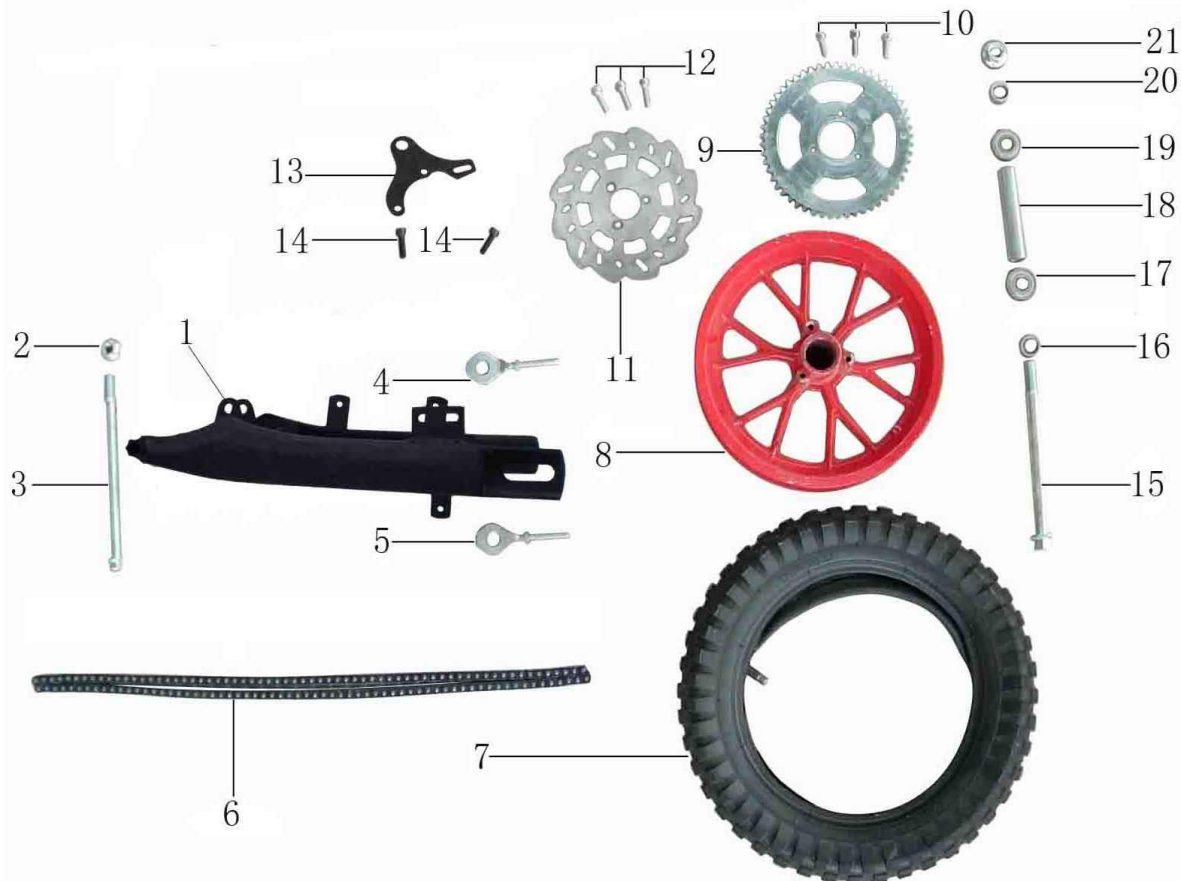
29	PAD50-2-B-028	DB706A-041	front brake	前制动器	1
30	PAD50-2-B-029	DB706A-042	nut	前轮轴锁紧螺母	1
31	PAD50-2-B-030	DB706A-043	axle I	前轮轴轴套I	1
32	PAD50-2-B-031	DB706A-044	bearing I	前轮轴承I	1
33	PAD50-2-B-032	DB706A-045	axle II	前轮轴套II	1
34	PAD50-2-B-033	DB706A-046	bearing II	前轮轴承II	1
35	PAD50-2-B-034	DB706A-047	axle III	前轮轴套III	1
36	PAD50-2-B-035	DB706A-048	front axle	前轮轴	1
37	PAD50-2-B-036	DB706A-049	screw	前碟刹盘安装螺丝	3
38	PAD50-2-B-037	DB706A-050	front disc brake	前碟刹盘	1
39	PAD50-2-B-038	DB706A-051	front rim	前轮毂	1
40	PAD50-2-B-039	DB706A-052	front tyre	前轮胎	1
41	PAD50-2-B-040	DB706A-053	front brake cable	前刹车线	1

3.Frame 车架



No.	cebear Parts No	Factory's Parts no.	Discription	Chinese Name	Qty
1	PAD50-2-C-001	DB706A-054	frame	车架	1
2	PAD50-2-C-002	DB706A-055	pin	销柱	2
3	PAD50-2-C-003	DB706A-056	spring	弹簧	2
4	PAD50-2-C-004	DB706A-057	cotter pin	开口销	2
5	PAD50-2-C-005	DB706A-058	foot rest, left	左脚踏	1
6	PAD50-2-C-006	DB706A-059	foot rest, right	右脚踏	1
7	PAD50-2-C-007	DB706A-060	spring	拉簧	1
8	PAD50-2-C-008	DB706A-061	kick stand	侧支撑	1
9	PAD50-2-C-009	DB706A-062	screw	支撑安装螺丝	1
10	PAD50-2-C-010	DB706A-063	bolt	后减震安装螺丝	2
11	PAD50-2-C-011	DB706A-064	screw	后减震安装螺母	2
12	PAD50-2-C-012	DB706A-065	rear shock	后减震	1
13	PAD50-2-C-013	DB706A-066	washer	排气管垫片	1
14	PAD50-2-C-014	DB706A-067	screw	排气管安装螺母	2
15	PAD50-2-C-015	DB706A-068	muffler	排气管	1
16	PAD50-2-C-016	DB706A-069	washer	排气管垫片	1
17	PAD50-2-C-017	DB706A-070	screw	排气管安装螺母	2

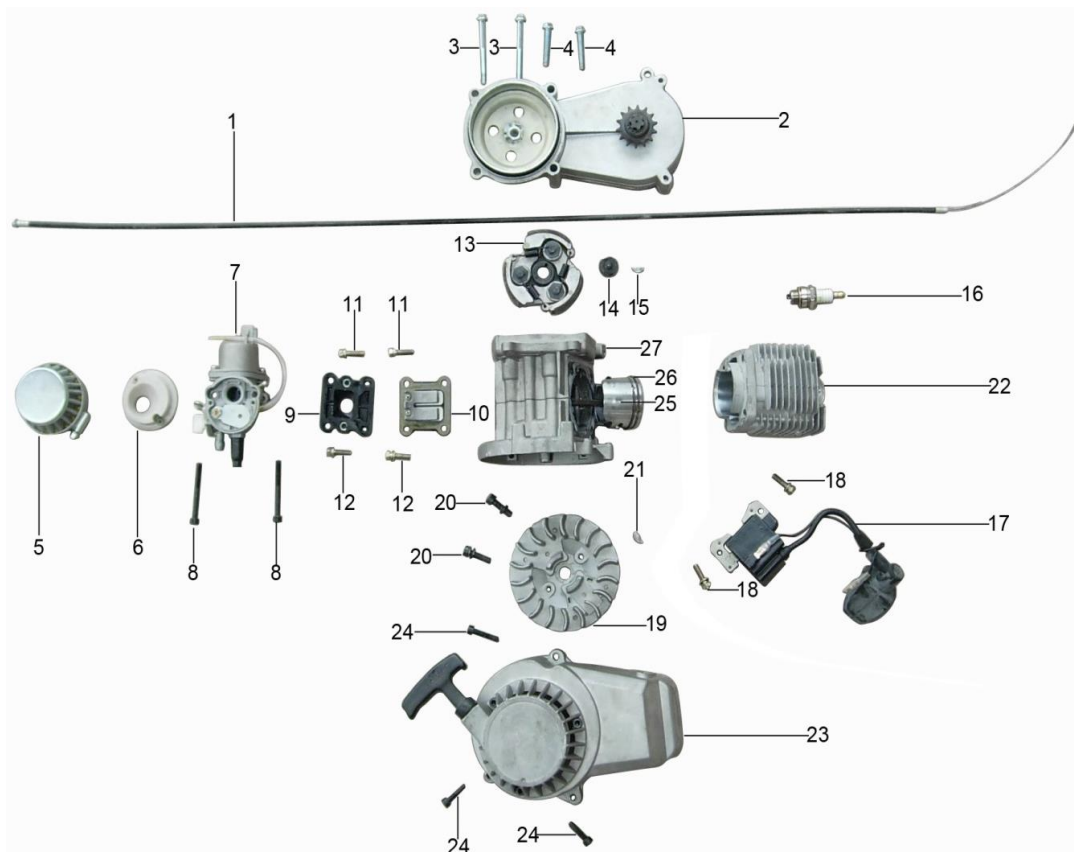
4. Rear whee 后轮



No.	cebear Parts No	Factory's Parts no.	Discription	Chinese Name	Qty
-----	-----------------	---------------------	-------------	--------------	-----

1	PAD50-2-D-001	DB706A-071	swing arm	后叉	1
2	PAD50-2-D-002	DB706A-072	nut	后叉吊装螺母	1
3	PAD50-2-D-003	DB706A-073	bolt	后叉吊装轴	1
4	PAD50-2-D-004	DB706A-074	chain adjuster I	后千斤I	1
5	PAD50-2-D-005	DB706A-075	chain adjuster II	后千斤II	1
6	PAD50-2-D-006	DB706A-076	chain	链条	1
7	PAD50-2-D-007	DB706A-077	rear tyre	后轮胎	1
8	PAD50-2-D-008	DB706A-078	rear rim	后轮毂	1
9	PAD50-2-D-009	DB706A-079	big sprocket	大链轮	1
10	PAD50-2-D-010	DB706A-080	screw	大链轮安装螺栓	3
11	PAD50-2-D-011	DB706A-081	rear bdisc brake	后碟刹盘	1
12	PAD50-2-D-012	DB706A-082	screw	后碟刹盘安装螺栓	3
13	PAD50-2-D-013	DB706A-083	braket	后碟刹器支架	1
14	PAD50-2-D-014	DB706A-084	screw	后碟刹器安装螺栓	2
15	PAD50-2-D-015	DB706A-085	bolt	后轮轴	1
16	PAD50-2-D-016	DB706A-086	axle 1	后轮轴套1	1
17	PAD50-2-D-017	DB706A-087	bearing 1	后轮轴承1	1
18	PAD50-2-D-018	DB706A-088	axle 2	后轮轴套2	1
19	PAD50-2-D-019	DB706A-089	bearing 2	后轮轴承2	1
20	PAD50-2-D-020	DB706A-090	axle 3	后轮轴套3	1
21	PAD50-2-D-021	DB706A-091	nut	后轮锁紧螺母	1

5.Engine 发动机



No.	cebear Parts No	Factory's Parts no.	Discription	Chinese Name	Qty
1	PAD50-2-E-001	DB706A-92	throttle cable	油门线	1
2	PAD50-2-E-002	DB706A-93	speed box	变速箱	1
3	PAD50-2-E-003	DB706A-94	bolt 1	变速箱安装螺丝1	2
4	PAD50-2-E-004	DB706A-95	bolt 2	变速箱安装螺丝2	2
5	PAD50-2-E-005	DB706A-96	air filter	空滤器	1
6	PAD50-2-E-006	DB706A-97	aie filter tie-in	空滤器接头	1
7	PAD50-2-E-007	DB706A-98	carburetor	化油器	1
8	PAD50-2-E-008	DB706A-99	bolt	化油器安装螺丝	2
9	PAD50-2-E-009	DB706A-100	intake valve guide	簧片阀	1
10	PAD50-2-E-010	DB706A-101	intake valve		1
11	PAD50-2-E-011	DB706A-102	screw 1	进气管安装螺丝1	2
12	PAD50-2-E-012	DB706A-103	screw 2	进气管安装螺丝2	2
13	PAD50-2-E-013	DB706A-104	clutch	离合器	1
14	PAD50-2-E-014	DB706A-105	clutch locknut	离合器锁紧螺母	1
15	PAD50-2-E-015	DB706A-106	pin	离合器定位销	1
16	PAD50-2-E-016	DB706A-107	spark plug	火花塞	1
17	PAD50-2-E-017	DB706A-108	ignition coil	高压包	1
18	PAD50-2-E-018	DB706A-109	screw	高压包安装螺丝	2
19	PAD50-2-E-019	DB706A-110	driven gear	从动轮	1
20	PAD50-2-E-020	DB706A-111	srew	从动轮安装螺丝	2
21	PAD50-2-E-021	DB706A-112	pin	从动轮定位销	1
22	PAD50-2-E-022	DB706A-113	cylinder head	缸头	1
23	PAD50-2-E-023	DB706A-114	pull start	手拉启动	1
24	PAD50-2-E-024	DB706A-115	srew	手拉启动安装螺丝	3
25	PAD50-2-E-025	DB706A-116	piston	活塞	1
26	PAD50-2-E-026	DB706A-117	piston ring	活塞环	1
27	PAD50-2-E-027	DB706A-118	cylinder body	缸体	1

lines 280-306 complete engine

