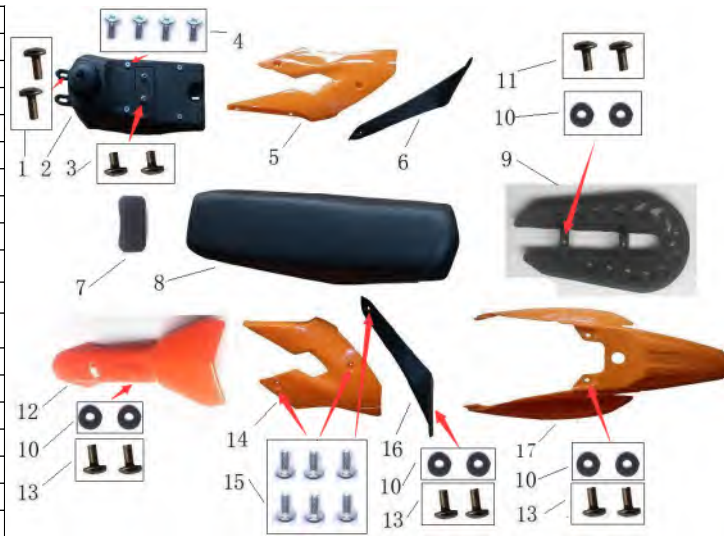


PAD60-1

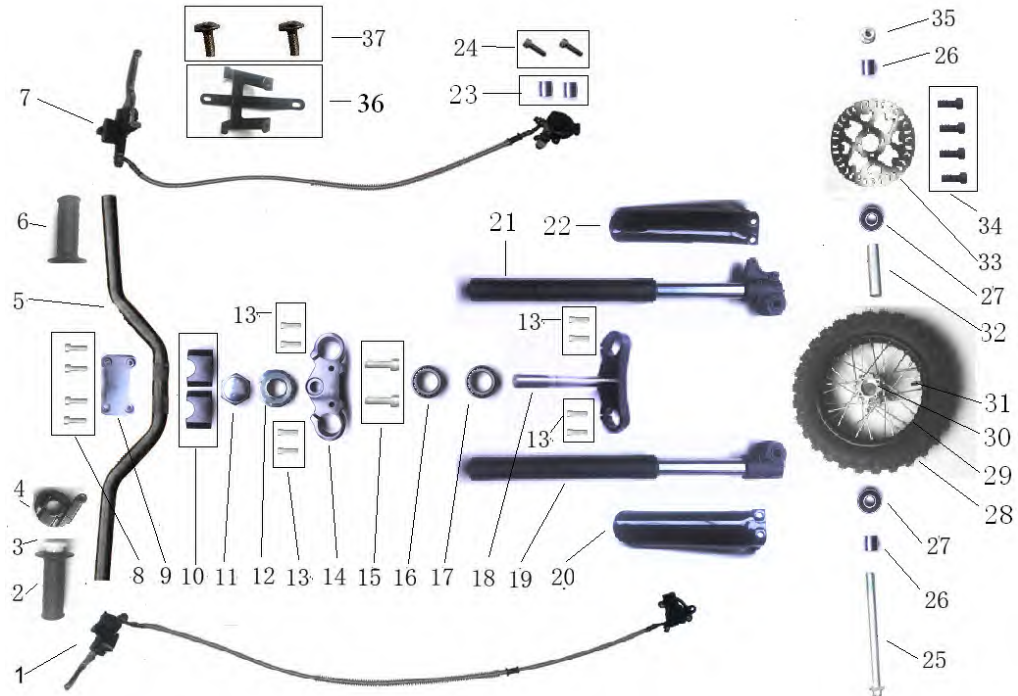
1. Plastic cover

Parts No.	Discription	Qty per Vehicel
PAD60-1-A-001	big flat head bolts M6X20	2
PAD60-1-A-002	fuel tank	1
PAD60-1-A-003	big flat head bolts M6X10	2
PAD60-1-A-004	countersunk head bolt M6X8	4
PAD60-1-A-005	front cover, right	1
PAD60-1-A-006	rear cove, right	1
PAD60-1-A-007	chest protector	1
PAD60-1-A-008	seat	1
PAD60-1-A-009	chain cover	1
PAD60-1-A-010	rubber plain washer	8
PAD60-1-A-011	big flat head bolts M6X10	8
PAD60-1-A-012	front fender	1
PAD60-1-A-013	big flat head bolts M6X16	8
PAD60-1-A-014	front cover, left	1
PAD60-1-A-015	small flat head bolts M6X16	6
PAD60-1-A-016	rear cove, left	1
PAD60-1-A-017	rear molding	1
PAD60-1-A-018	sticker	1



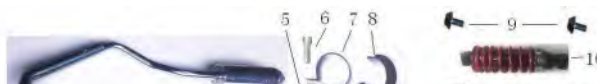
2. Front wheel

Parts No.	Discription	Qty per Vehicel
PAD60-1-B-001	rear hydraulic brake	1
PAD60-1-B-001-01	rear brake bump	1
PAD60-1-B-002	right handle grip	1
PAD60-1-B-003	core	1
PAD60-1-B-004	gas holder	1
PAD60-1-B-005	handle bar	1
PAD60-1-B-006	left handle grip	1
PAD60-1-B-007	front hydraulic brake	1
PAD60-1-B-008	Cylinder head hex socket bolts M8X25	4
PAD60-1-B-009	bracket,top riser	1
PAD60-1-B-010	bracket,bottom riser	2
PAD60-1-B-011	Tap cap	1
PAD60-1-B-012	Convex Joe nut	1
PAD60-1-B-013	Cylinder head hex socket bolts M6X25	8
PAD60-1-B-014	Top allied board	1
PAD60-1-B-015	Cylinder head hex socket bolts M10X35	2
PAD60-1-B-016	Taper bearing 41X22.5X11	2
PAD60-1-B-017	Taper bearing 41X24X11	2
PAD60-1-B-018	Bottom allied board with shaft	1
PAD60-1-B-019	front shock absorber (right)	1
PAD60-1-B-020	Right shock absorption shield	1
PAD60-1-B-021	front shock absorber (left)	1
PAD60-1-B-022	left shock absorption shield	1
PAD60-1-B-023	front hydraulic brake spacer $\Phi 8$. 2* $\Phi 10$ *10mm	4
PAD60-1-B-024	Cylinder head hex socket bolts M6X35	2
PAD60-1-B-025	front axle M15X215	1
PAD60-1-B-026	front wheel spacer bush $\Phi 15$ * $\Phi 20$ *17mm	2
PAD60-1-B-027	front wheel bearing	2
PAD60-1-B-028	front tyre	1
PAD60-1-B-029	Front wheel hub	1
PAD60-1-B-030	front wheel drum core	1
PAD60-1-B-031	Inner tube	1
PAD60-1-B-032	front wheel shaft sleeve $\Phi 15$ * $\Phi 20$ *54mm	1
PAD60-1-B-033	brake disc	1
PAD60-1-B-034	Cylinder head hex socket bolts M6X16	4
PAD60-1-B-035	Self-locking nut M15	1
PAD60-1-B-036	Fender bracket	1
PAD60-1-B-037	big flat head bolts M6X8	2

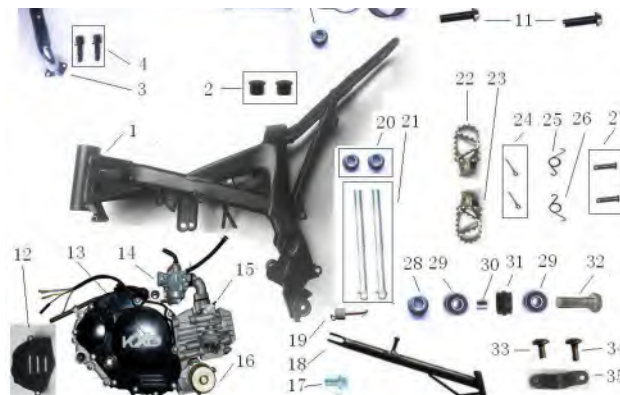


3.Frame

Parts No.	Discription	Qty per Vehicel
PAD60-1-C-001	frame	1
PAD60-1-C-002	Rubber plug	1

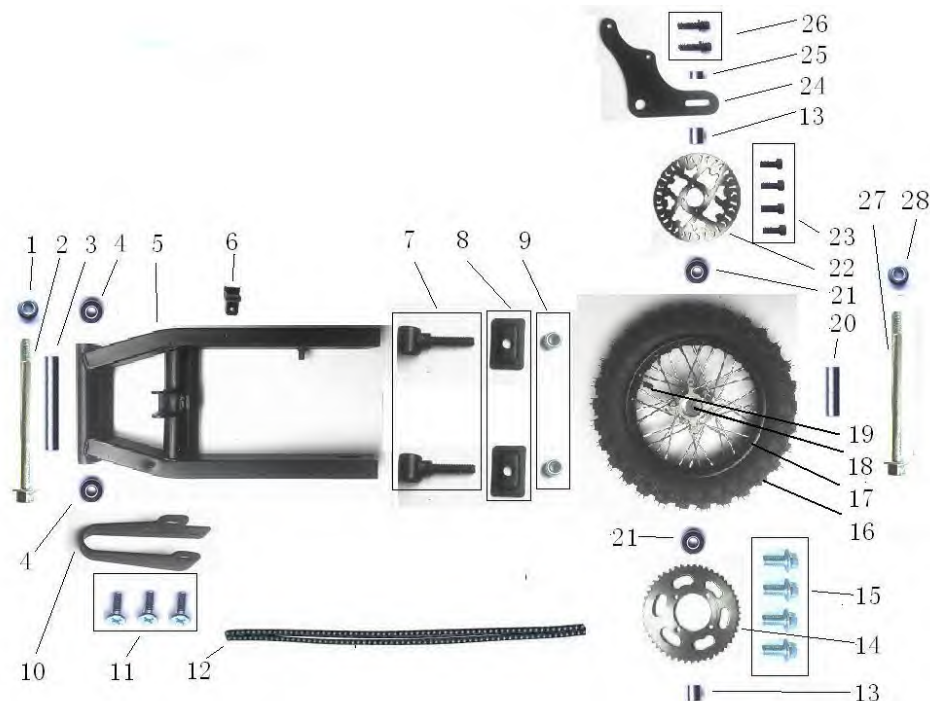


PAD60-1-C-003	muffler	1
PAD60-1-C-004	Composite bolt M6X20	2
PAD60-1-C-005	Self-locking nut M6	1
PAD60-1-C-006	Cylinder head hex socket bolts M6X20	1
PAD60-1-C-007	Duct clamp	1
PAD60-1-C-008	Rubber ring	1
PAD60-1-C-009	bolt	2
PAD60-1-C-010	Shock 190mm	1
PAD60-1-C-011	screw	2
PAD60-1-C-012	Engine chain cover	1
PAD60-1-C-013	Engine	1
PAD60-1-C-014	carburetor	1
PAD60-1-C-015	spark plug	1
PAD60-1-C-016	starting dynamo	1
PAD60-1-C-017	Flange bolts M8X16	1
PAD60-1-C-018	Foot support bar	1
PAD60-1-C-019	spring	1
PAD60-1-C-020	Self-locking nut M8	2
PAD60-1-C-021	Engine mounting shaft M8X95	2
PAD60-1-C-022	right pedal	1
PAD60-1-C-023	left pedal	1
PAD60-1-C-024	cotter pin	2
PAD60-1-C-025	right Pedal spring	2
PAD60-1-C-026	left Pedal spring	2
PAD60-1-C-027	pin	2
PAD60-1-C-028	Self-locking nut M8	1
PAD60-1-C-029	bearing	2
PAD60-1-C-030	spacer bush $\Phi 11 \times \Phi 14 \times 8\text{mm}$	1
PAD60-1-C-031	guide pulley	1
PAD60-1-C-032	steps bolt M8X38	1
PAD60-1-C-033	big flat head bolts M6X16	1
PAD60-1-C-034	big flat head bolts M6X20	1
PAD60-1-C-035	Tank connection piece	1



4. Rear wheel

Parts No.	Discription	Qty per Vehicel
PAD60-1-D-001	nut M10	1
PAD60-1-D-002	bolt M10X190	1
PAD60-1-D-003	axle $\Phi 11 \times \Phi 14 \times 140.5\text{mm}$	1
PAD60-1-D-004	bearing	2
PAD60-1-D-005	swing arm	1
PAD60-1-D-006	cable clips	1
PAD60-1-D-007	chain adjuster	2
PAD60-1-D-008	Chain adjustment piece	2
PAD60-1-D-009	locknut M6	2
PAD60-1-D-010	Chain guide	1
PAD60-1-D-011	countersunk head bolt M6X16	3
PAD60-1-D-012	chain	1
PAD60-1-D-013	rear wheel spacer $\Phi 12.2 \times \Phi 18 \times 19\text{mm}$	2
PAD60-1-D-014	big sprocket	1
PAD60-1-D-015	Flange bolts M8X20	4
PAD60-1-D-016	rear tyre	1
PAD60-1-D-017	rear-wheel hub	1
PAD60-1-D-018	rear wheel drum core	1
PAD60-1-D-019	Inner tube	1
PAD60-1-D-020	rear wheel axle $\Phi 12.2 \times \Phi 18 \times 72.5\text{mm}$	1
PAD60-1-D-021	rear wheel bearing	2
PAD60-1-D-022	brake disc	1
PAD60-1-D-023	Cylinder head hex socket bolts M6x16	4
PAD60-1-D-024	Disc brake fixed piece	1
PAD60-1-D-025	rear wheel spacer bush $\Phi 12.4 \times \Phi 18 \times 4\text{mm}$	1
PAD60-1-D-026	Composite bolt M6X20	2
PAD60-1-D-027	rear bolt M12X205	1
PAD60-1-D-028	Self-locking nut M12	1



5. Products accessories

Parts No.	Discription	Qty per Vehicel
PAD60-1-E-001	air filter	1
PAD60-1-E-002	throttle cable	1
PAD60-1-E-003	relay	1
PAD60-1-E-004	ignition coil	1
PAD60-1-E-005	ignition key	1
PAD60-1-E-006	rectifier	1
PAD60-1-E-007	battery	1
PAD60-1-E-008	ignition	1
PAD60-1-E-009	Flameout switch	1
PAD60-1-E-010	cable	1
PAD60-1-E-011	ignition switch	1
PAD60-1-E-012	charging hole	1
PAD60-1-E-013	small oil pipe	2
PAD60-1-E-014	Oil switch	1
PAD60-1-E-015	filter	1
PAD60-1-E-016	big oil pipe	1
PAD60-1-E-017	small circlip	5
PAD60-1-E-018	big circlip	1

