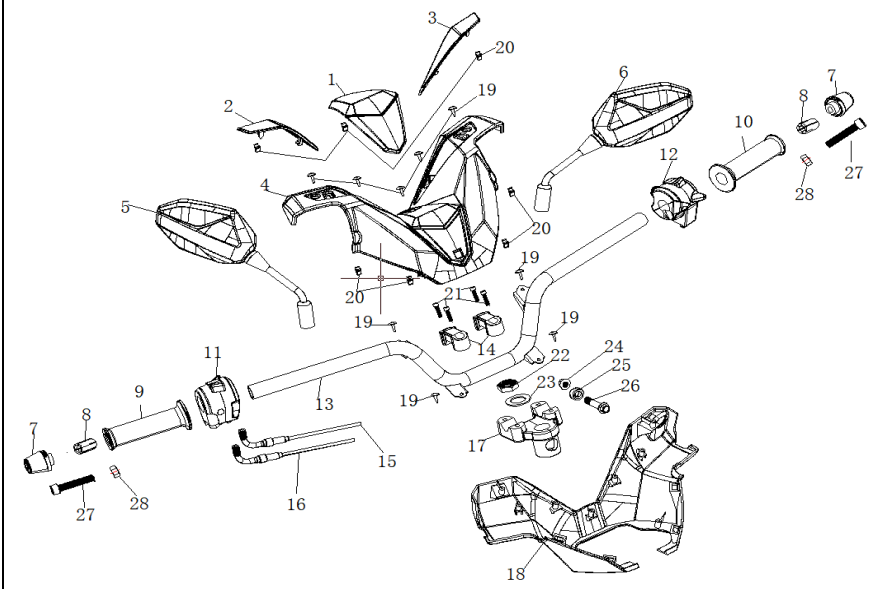


T15-300 ABS

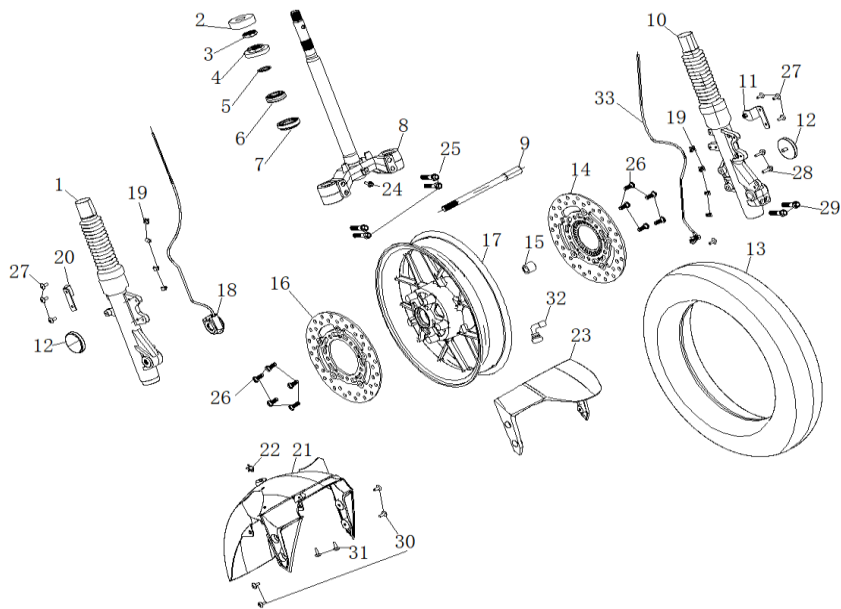
D-1: 方向把总成



Ref.	Part Number	Description	Description	Q.ty
1	0110017.T15S	Middle cap of handle upper cover	方向把上罩中间盖	1
2	0110016.T15S	LID ,HANDLE UP,R	方向把上罩右装饰盖	1
3	0110015.T15S	LID ,HANDLE UP,L	方向把上罩左装饰盖	1
4	0110013.T15S	Handle upper cover	方向把上罩	1
5	1512000.T15S	REAR MIRROR,R	右后视镜	1
6	1511000.T15S	REAR MIRROR,L	左后视镜	1
7	0322005.T12S	Balance block	方向把平衡块	2
8	0322010.T12S	Expansion button	方向把平衡块内膨胀扣	2
9	0910004.T11P	Throttle Grip, Handle	右把套 (油门转把)	1
10	0910003.T11P	L.GRIP, HANDLE	左把套	1
11	0742000.T12S.02	SWITCH,HANDLEBAR R	右把手开关	1
12	0741000.T15S	SWITCH,HANDLEBAR L	左把手开关	1
13	0322000.T15P	Handlebar	方向把	1
14	0322007.T12S	Upper,fixation base	方向把压紧座上上部	2
15	0910001.T15P	Throttle cable	油门线	1
16	0910002.T15P	Sub-cable	副油门线	1
17	0323000.T12S	Upper connecting plate	上联板 (压紧座固定板)	1
18	0110014.T15S	Handlebar lower cover	方向把下罩	1
19	GB845.42012.06	Screw ST4.2*12	十字槽盘头自攻螺钉4.2*12	9
20	1430001.T09K.01	BUCKLE,BLACK	塑料卡扣 (黑色)	7
21	GB70.1.08030.06	Bolt M8*30	内六角圆柱头螺栓M8*30	4
22	1421001.T09K	Handlebar Locking Nut	方向把锁紧螺母	1
23	1421002.T09K	Locking Nut Gasket	方向把锁紧螺母垫片	1
24	1410056.G01S.06	metal locking Nut,M10	六角法兰面锁紧螺母M10	1
25	1410037.T11P	lock Bush, Handle Bar	方向把锁紧套	1
26	1411405.T12S	Bolt M10*50*1.25	六角法兰面螺栓M10*50*1.25	1
27	GB70.1.06075.10	Bolt M6*75	内六角圆柱头螺栓M6*75	2
28	GB6170.06.11	Nut M6	1型六角螺母M6	2

T15-300 ABS

D-2: 前叉总成

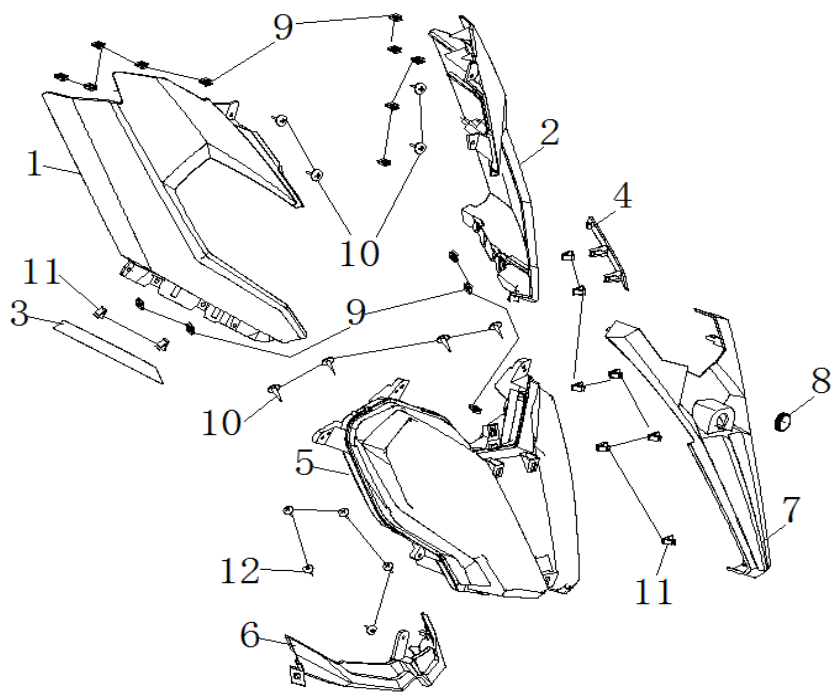


Ref.	Part Number	Description	Q.ty
1	0412000.T15S	R.FR.FORK ASSY.	1
2	0110018.T15S	DUST COVER 1	1
3	1421003.T09K	Upper locking Nut	1
4	1421004.T09K	Lower Locking Nut	1
5	1420010.S01E	GASKET, LOCKING	1
6	1422000.T11P.01	BEARING UPPER	1
7	1423000.T11P.01	BEARING LOWER	1
8	0324000.T15J	Lower connecting plate	1
9	1410001.T15S	FR AXLE	1
10	0411000.T15S	L.FR.FORK ASSY.	1
11	0320016.T15S	FRONT FENDER STAY L	1
12	0260001.T09J.01	Reflex Reflector	2
13	0610002.T11P.01	Front Tire	1
14	0510001.T15P	Disk of FR Brake,L	1
15	0510009.T15P	Disk of FR Brake,R	1
16	1410004.T15S	COLLAR AXLE	1
17	0610001.T15S	Front Rim	1
18	0611000.G01S.02	Speed Counter	1
19	1430056.T15S	Front Fender wire Clip	8
20	0320022.T15S	FRONT FENDER STAY R	1
21	0110065.T15S	FRONT FENDER,REAR PART	1
22	1430056.T11P	Clip,fr fender	1
23	0110037.T15S	FRONT FENDER,FRONT PART	1
24	GB5789.06012.06	Bolt M6X12	1
25	GB5789.10050.06	Bolt M10X50	4
26	1410029.G01S.06	BOLT RR BRAKE DISK	10
27	1411202.T15J.11	hexagon socket screw M6X12	6
28	GB5789.08025.06	Bolt M18X25	2
29	GB70.1.06025.06	hexagon socket screw M6X25	2
30	1411203.T15J.11	hexagon socket screw M6X16	5
31	GB845.42012.06	Screw ST4.2*12	2
32	0610003.T09K.01	VALVE RIM	1
33	0542002.T11P	Gear sensor,ABS	1



**T15-300 ABS**

**D-4: 车身前部组件2**



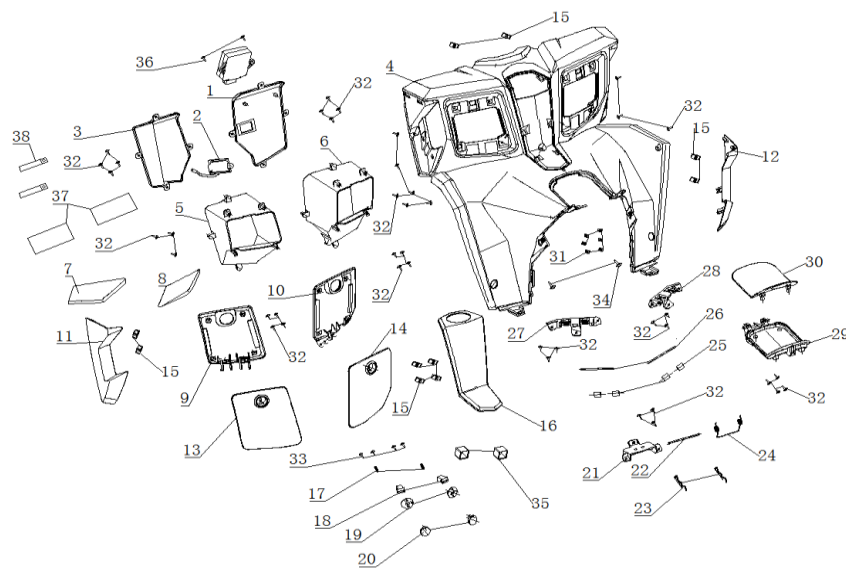
Ref.	Part Number	Description	Q.ty
1	0110028.T15S	FRONT COVER R	1
2	0110027.T15S	FRONT COVER L	1
3	0110032.T15S	LITTLE COVER FR R SIDE(version 2)	1
4	0110031.T15S	LITTLE COVER FR L SIDE(version 2)	1
5	0210000.T15S	HEADLIGHT	1
6	0110038.T15S	CONNECTION PLATE	1
7	0110002.T15S	COVER FR TOP	1
8	1430129.T15J	RUBBER CAP,CAMERA	1
9	Q397.42.06	NUT SPRING 4MM	15
10	GB845.48016.06	SCREW TAPPING 4.8*16	8
11	1430001.T09K.01	BUCKLE,BLACK	9
12	GB845.42012.06	Screw ST4.2*12	5





**T15-300 ABS**

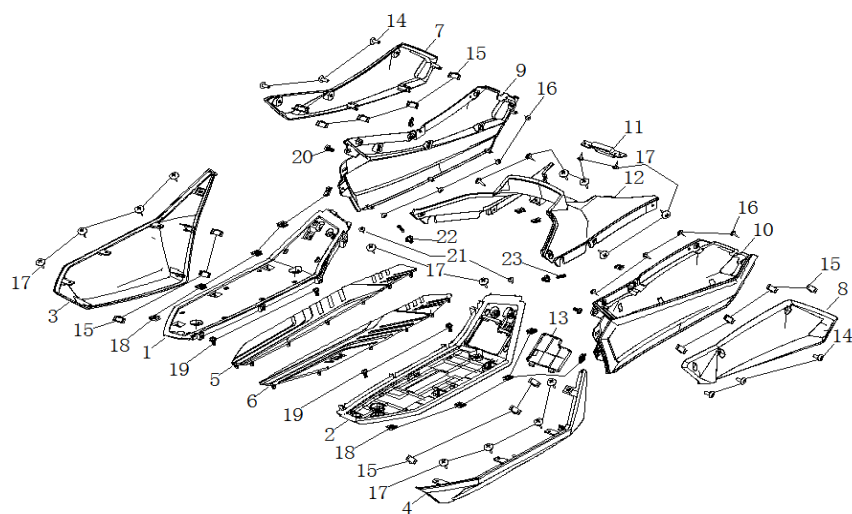
**D-7: 工具箱组件**



Ref.	Part Number		CHINESE NAME	Q.ty
1	0110056.T15S	R TOOLBOX BUCKET COVER	右工具箱斗后盖	1
2	1524000.T12S	USB charger	USB电源	1
3	0110055.T15S	L TOOLBOX BUCKET COVER	左工具箱斗后盖	1
4	0110019.T15S	TOOLBOX	工具箱	35
5	0110053.T15S	L TOOLBOX BUCKET	左工具箱斗	1
6	0110054.T15S	R TOOLBOX BUCKET	右工具箱斗	1
7	1440027.T15S	TOOL BOX MAT,L	左工具箱胶垫	1
8	1440028.T15S	TOOL BOX MAT,R	右工具箱胶垫	1
9	0110025.T15S	L TOOLBOX INNER COVER	左工具箱内盖	1
10	0110026.T15S	R TOOLBOX INNER COVER	右工具箱内盖	1
11	0110021.T15S	SIDE COVER TOOLBOX, L	左工具箱上盖	1
12	0110022.T15S	SIDE COVER TOOLBOX, R	右工具箱上盖	1
13	0110023.T15S	L TOOLBOX OUTER COVER	左工具箱外盖	1
14	0110024.T15S	R TOOLBOX OUTER COVER	右工具箱外盖	1
15	1430001.T09K.01	BUCKLE,BLACK	塑料卡扣(黑色)	10
16	0110020.T15S	MAIN LOCK COVER	电门锁盖	1
17	0350024.T12S	Button spring	按钮弹簧	2
18	0110091.T12S	Tool Box Lock Base	左工具箱锁座	2
19	0110089.T12S	Toolbox cover lock hook	工具箱盖锁钩	2
20	0110087.T12S	Fuel tank cover button	工具箱盖按钮	2
21	0120045.T15S	Fuel Tank Cover Swim Arm Base	油箱盖板摇臂固定座	1
22	1410032.T15S	Fuel cover pin	油箱盖板销轴	1
23	1410035.T09K	Wave pin	波浪销	2
24	0350016.T15S	Fuel tank cover spring	油箱盖板弹簧	1
25	1430066.T12S	Toolbox Damper	工具箱阻尼器	4
26	1410063.T12S	pin,tool box	工具箱销轴	2
27	0110063.T15S	L Toolbox cover fixing plate	左工具箱盖固定座	1
28	0110064.T15S	R Toolbox cover fixing plate	右工具箱盖固定座	1
29	0120044.T15S	Fuel Tank Cover Swim Arm	油箱盖板摇臂	1
30	0120003.T15S	FEUL TANK COVER	油箱盖板	1
31	Q397.42.06	NUT SPRING 4MM	A型簧片螺母(自攻卡片)Φ4.2	6
32	GB845.42012.06	Screw ST4.2*12	十字槽盘头自攻螺钉4.2*12	41
33	GB845.35008.06	Screw ST3.5*8	十字槽盘头自攻螺钉ST3.5*8	4
34	GB845.48016.06	SCREW TAPPING 4.8*16	十字槽盘头自攻螺钉4.8*16	2
35	1430153.T15J	Tool Box Lock Rubber Bush	工具箱锁橡胶套	2
36	GB845.42016.06	Screw ST4.2*16	十字槽盘头自攻螺钉4.2*16	2
37	1440027.T15S.01	TOOL BOX MAT,L	左工具箱胶垫	2
38	0319099.T09K	Clip	长线夹	2

**T15-300 ABS**

**D-8:车身中部组件**

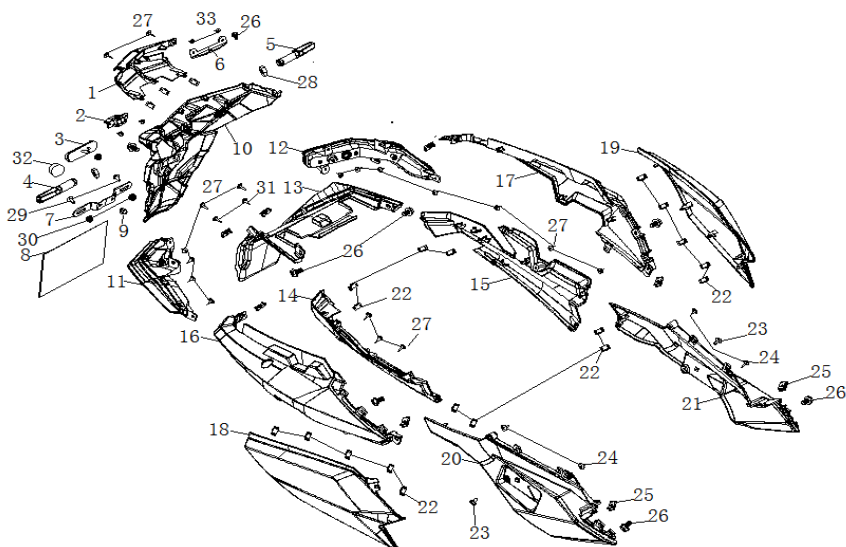


Ref.	Part Number		CHINESE NAME	Q.ty
1	0120011.T15S	L foot pedal	左脚踏板	1
2	0120012.T15S	R foot pedal	右脚踏板	1
3	0120017.T15S	L Side cover	左边条	1
4	0120018.T15S	R Side cover	右边条	1
5	0159003.T15S	L. Pedal Cover,RUBBER	左脚踏皮	1
6	0159004.T15S	R. Pedal Cover,RUBBER	右脚踏皮	1
7	0120015.T15S	L Decorative cover	左脚踏板上盖装饰板	1
8	0120016.T15S	R Decorative cover	右脚踏板上盖装饰板	1
9	0120013.T15S	Upper cover of L foot pedal	左脚踏板上盖	1
10	0120014.T15S	Upper cover of R foot pedal	右脚踏板上盖	1
11	0120041.T15S	Fuel Tank Lock Stay	油箱盖锁撑架	1
12	0120058.T15S	foot pedal cover,upper	脚踏板中间盖	1
13	0120064.T15S	Checking Window Cover	右脚踏板小盖	1
14	1411202.T15J.11	hexagon socket screw M6X12	内六角花形法兰面螺钉M6*12	6
15	1430001.T09K.01	BUCKLE,BLACK	塑料卡扣(黑色)	14
16	GB845.42010.06	SCREW TAPPING 4.2*10	十字槽盘头自攻螺钉4.2*10	8
17	GB845.48016.06	SCREW TAPPING 4.8*16	十字槽盘头自攻螺钉4.8*16	18
18	Q397.42.06	NUT SPRING 4MM	A型簧片螺母(自攻卡片)Φ4.2	14
19	1410082.T15S.06	Bolt M6X14	六角法兰面螺栓(台阶)M6*14	4
20	GB5789.06016.06	Bolt M6X12	六角法兰面螺栓M6*12	2
21	GB845.42016.06	Screw ST4.2*16	十字槽盘头自攻螺钉4.2*16	2
22	1430032.T08K	EXPANSION NAIL BODY	膨胀钉本体	2
23	1430033.T08K	EXPANSION NAIL	膨胀钉(柱)	2



T15-300 ABS

D-9: 车身后部塑件总成

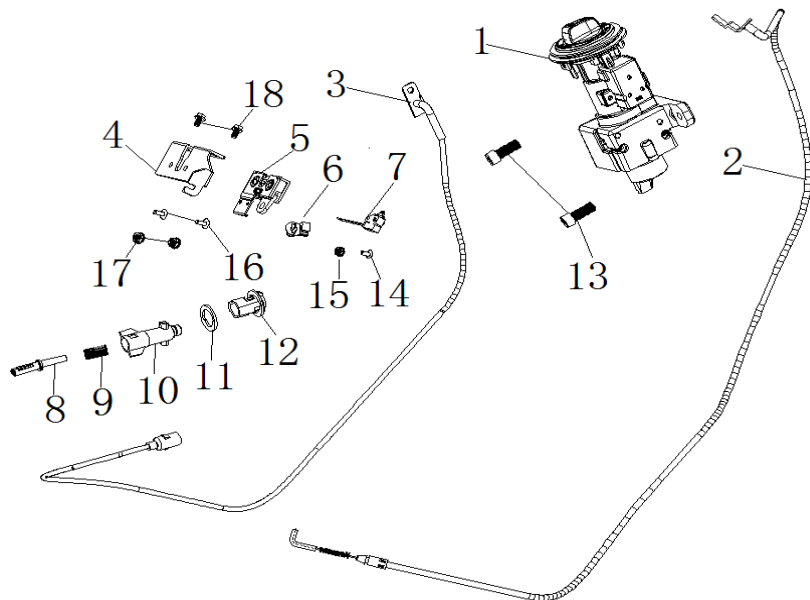


Ref.	Part Number	Description	Q.ty
1	0130015.T15S	Rear lamp upper cover	1
2	0240000.T15S	License plate light	1
3	0260002.T15S	RR Reflector	1
4	0234000.T15S	WINKER ASSY.. R . RR	1
5	0233000.T15S	WINKER ASSY.. L . RR	1
6	0349000.T15S	TAIL LIGHT STAY	1
7	0340004.D01J	Light holder	1
8	1610003.G01S	License plate with LOGO	1
9	1430062.T12S	plate, rubber mat	1
10	0130022.T15S	REAR FENDER	1
11	0222000.T15S	TAIL LIGHT ASSY. R	1
12	0221000.T15S	TAIL LIGHT ASSY. L	1
13	0130025.T15S	REAR FENDER,FRONT PART	1
14	0130006.T15S	REAR SIDE COVER.R	1
15	0130005.T15S	REAR SIDE COVER.L	1
16	0130002.T15S	Cover set R body	1
17	0130001.T15S	Cover set L body	1
18	0130004.T15S	Cover set R body,front part	1
19	0130003.T15S	Cover set L body,front part	1
20	0120022.T15S	R bar RR	1
21	0120021.T15S	L bar RR	1
22	1430001.T09K.01	BUCKLE,BLACK	21
23	1411202.T15J.11	hexagon socket screw M6X12	2
24	GB845.48016.06	SCREW TAPPING 4.8*16	4
25	Q397.42.06	NUT SPRING 4MM	8
26	GB5789.06012.06	Bolt M6X12	8
27	GB845.42012.06	Screw ST4.2*12	20
28	GB6177.1.10.06	Bolt M10X1.25	2
29	1410102.G01S.06	hexagon socket bolt M6X16	2
30	GB6177.1.06.06	Nut M6	2
31	GB845.48012.06	SCREW TAPPING 4.8*12 (K)	2
32	1430129.T15J	RUBBER CAP,CAMERA	1
33	GB845.42016.06	Screw ST4.2*16	2



**T15-300 ABS**

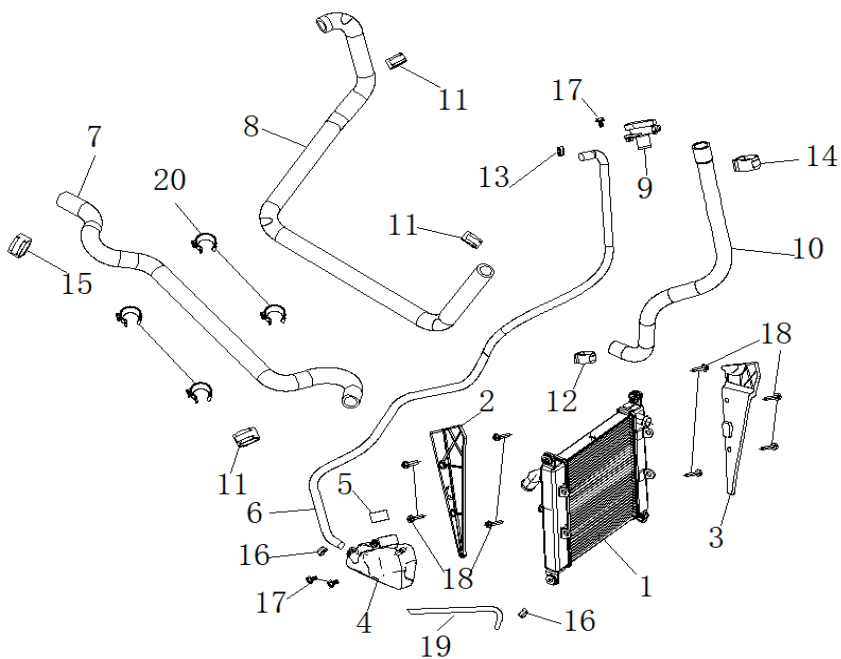
**D-11: 锁及锁线组件**



Ref.	Part Number	Description	Q.ty
1	0710000.T15S	Lock sets	1
2	0940002.T15S	Seat cushion cable	1
3	0940004.T15S	Fuel tank lock wire	1
4	0353300.T15S	Bracket of Seat locker	1
5	1841100.S02B.01	Battery protector locker	1
6	1841001.S02B	Battery protector cable sheath	1
7	0740200.T15J	Position Sensor	1
8	0715002.T15S	WHOLE SET, LOCK OF OIL TANK	1
9	0715005.T15S		1
10	0715001.T15S		1
11	0715006.T15S		1
12	0715003.T15S		1
13	GB70.1.06016.06	hexagon socket bolt M6X16	2
14	GB823.03012.11	Bolt M3X12	1
15	GB889.1.03.11	LOCKING NUT M3	1
16	GB70.3.04020.11	Bolt M4X20	2
17	GB889.1.04.11	LOCKING NUT M4	2
18	GB5789.06016.06	Bolt M6X12	2

**T15-300 ABS**

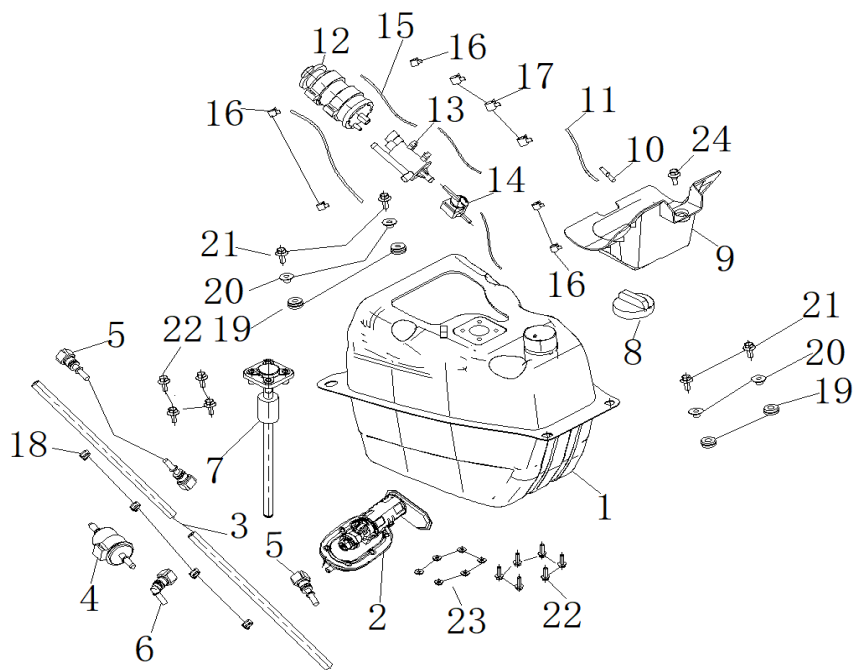
**D-12: 水冷系统**



Ref.	Part Number		CHINESE NAME	Q.ty
1	1211000.T15P	Radiator &Cooling Fan Assy	水箱风扇	1
2	0110094.T15S	RADIATOR COVER R	水箱右护盖	1
3	0110093.T15S	RADIATOR COVER L	水箱左护盖	1
4	1230001.T15S	canteen	副水壶	1
5	1230002.G01S	Cover of canteen	副水壶盖	1
6	1230003.T15S	Return pipe of AUXILIARY KETTLE	副水壶回水管	1
7	1220008.T15P	outlet rubber pipe	水箱出水橡胶管	1
8	1220007.T15P	Inlet rubber pipe	水箱进水橡胶管	1
9	1212000.T10P	Water Intake	加水口	1
10	1220003.T15S	INLET RUBBER TUBE OF TANK	水箱加水管	1
11	1220010.T15P	Clipe 31.6	橡胶冷却水管卡箍(31.6)	3
12	1220010.C05J.01	CLIP 27.1	橡胶冷却水管卡箍(27.1)	1
13	1220010.T15J	CLIP 15.1	橡胶冷却水管卡箍15.1	1
14	1220010.T12P	CLIP 30.5	橡胶冷却水管卡箍(30.5)	1
15	1220010.T12P.01	Clip 33.1	橡胶冷却水管卡箍(33.1)	1
16	1220010.D01K.01	Clip 12-16	卡箍(12-16)	2
17	GB5789.06012.06	Bolt M6X12	六角法兰面螺栓M6*12	3
18	GB5789.06020.06	Bolt M6X20	六角法兰面螺栓	8
19	1230003.T11P	Return pipe of AUXILIARY KETTLE	副水壶回水管	1
20	1430119.T15S	wire Clip ∅30	穿线线夹∅30	4

**T15-300 ABS**

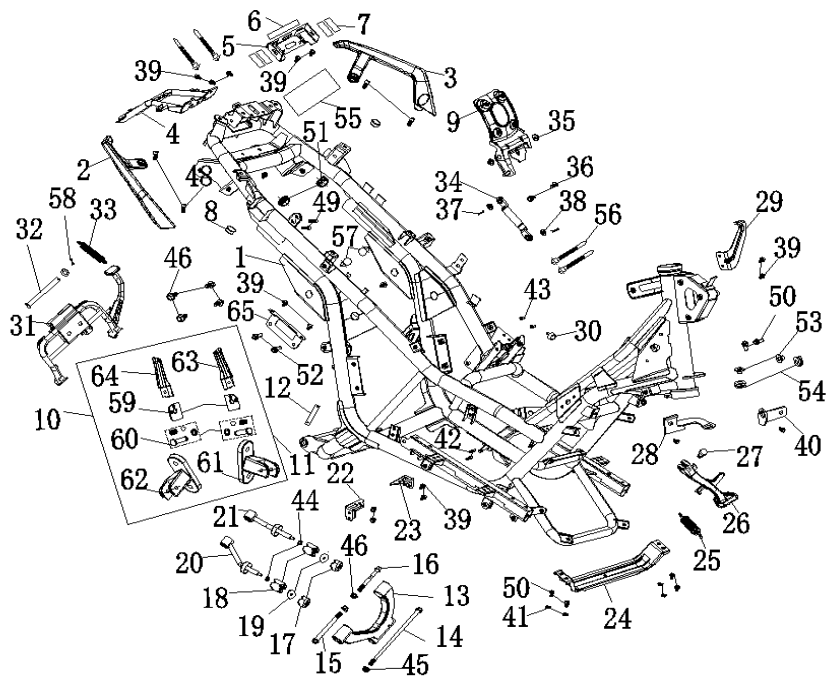
**D-13: 油箱组件**



Ref.	Part Number	Description	Q.ty
1	1011000.T15S	FUEL tank	1
2	1013000.G01J	Fuel Pump	1
3	1020002.T09K	High-pressure tubing 1	2
4	1020003.G01J	Fuel filter	1
5	1020005.T10P	Connector 1	3
6	1020004.T09K	Connector 2	1
7	1012000.T15S	Oil Level Sensor	1
8	1011001.T12S	Tank Cap	1
9	1011002.T15S	Filler sleeve	1
10	1020018.T12S	connector	1
11	1040004.T09K	Carbon canister pipe	1
12	1040001.T09K	Carbon canister	1
13	1040002.T09K	Valve EGR	1
14	1040003.T12S	Dump valve	1
15	1020009.T09K	Oil pipe	4
16	1020012.T09K	clip,Negative Pressure Tube	5
17	1040005.T09K	clip,pipe of Valve EGR	3
18	1020008.T09K	Clip,High-pressure tubing 1	4
19	1430005.G01S	Tank Rubber ring	4
20	1410031.G01S	Tank bushing	4
21	GB5789.06020.06	Bolt M6X20	4
22	GB5789.05020.06	Bolt M5X20	10
23	1430060.T09K	Oil Pump Seal	6
24	1410082.T15S.06	Bolt M6X14	1

T15-300 ABS

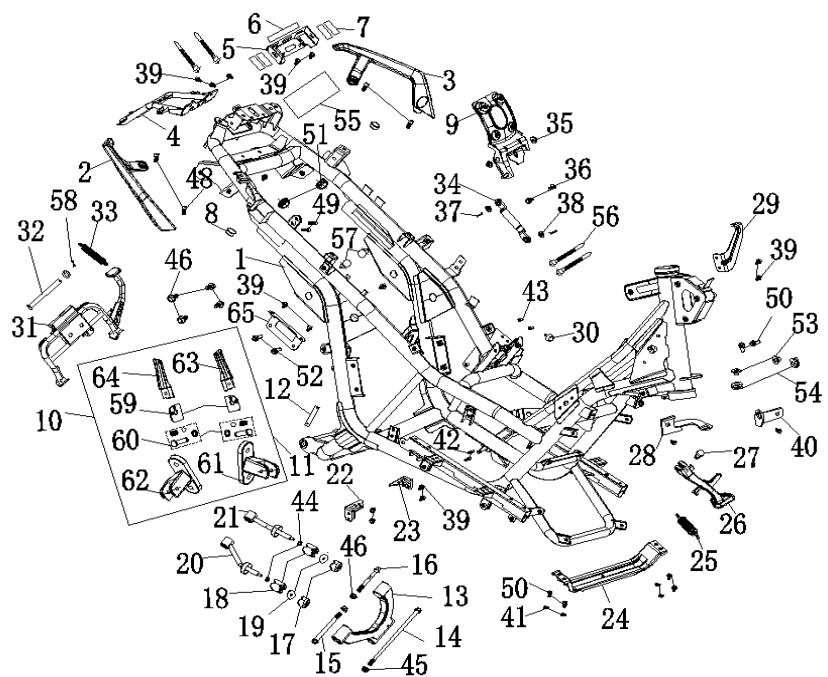
D-14: 车架铁件



Ref.	Part Number		CHINESE NAME	Q.ty
1	0310000.T15P	Frame	主车架	1
2	1311002.T15S	Right rear carrier	右后货架	1
3	1311001.T15S	Left rear carrier	左后货架	1
4	0345000.T15S	REAR FENDER STAY	后挡泥板支架	1
5	0337000.T15S	Battery Bracket	电池盒支架	1
6	1430046.T15S.01	Battery cushion 1	电池缓冲垫	1
7	1430046.T15S	Battery cushion 2	电池缓冲垫	4
8	1430105.D01J	RUBBER CAP	脚踏板后左橡胶堵盖	2
9	0351000.T12S	Seat Rocker	座垫摇臂	1
10	1326000.T15S	BAR R STEP ASSY	右后脚踏总成	1
11	1325000.T15S	BAR L STEP ASSY	左后脚踏总成	1
12	1610001.T09J	NAME PLATE	铭牌	1
13	0333000.T10P	hanger	水冷吊架	1
14	1410048.T15P	axle,Hanger	吊架轴	1
15	GB5789.12100.06	Bolt M6X12,M12*100	六角法兰面螺栓M12*100	1
16	GB5789.12120.06	Bolt M6X12,M12*120	六角法兰面螺栓M12*120	1
17	0334105.T10P	rubber	拉杆前橡胶缓冲件	2
18	0334106.T10P	#N/A	拉杆后橡胶缓冲件	2
19	0334103.T10P	#N/A	左吊架拉杆安装垫	2
20	0334100.T15P	#N/A	左吊架拉杆	1
21	0334200.T15P	#N/A	右吊架拉杆	1
22	0330016.T15S	FUEL TANK STAY L RR	油箱左后安装支架	1
23	0330015.T15S	FUEL TANK STAY R RR	油箱右后安装支架	1
24	0320020.T11P.02	FUEL TANK COVER LOWER	油箱保护板	1
25	0350012.T12S	Side Stand double spring	单撑双弹簧	1
26	0336000.T12S	Side Stand, ALU	单撑	1
27	1410013.T12S	Bolt,side stand	单撑螺栓	1
28	0320014.T15P	<b>ABS R Holder</b>	ABS右支架	1
29	0320010.T15S	Water Intake Bracket	加水口支架	1
30	1430018.T15J	Seat rocker rubber	座垫摇臂缓冲块	1
31	0335000.T15P	Main stand	双撑	1
32	1410012.T12S	Axle,Main stand	双撑轴	1
33	0350011.T12S	Main Stand double spring	双撑双弹簧	1
34	0350015.T09K	Gas Spring	气弹簧	1
35	1410034.T12S	Seat rocker bushing	座垫摇臂衬套	2
36	GB5789.06020.06	Bolt M6X20	六角法兰面螺栓M6*20	2
37	1410035.T09K	Wave pin	波浪销	2
38	GB96.08016.06	WASHER $\phi 8 * \phi 16$	大垫圈 $\phi 8 * \phi 16$	2
39	GB5789.06016.06	Bolt M6X12	六角法兰面螺栓M6*12	17
40	0320013.T15P	<b>ABS L Holder</b>	ABS左支架	1

T15-300 ABS

D-14: 车架铁件

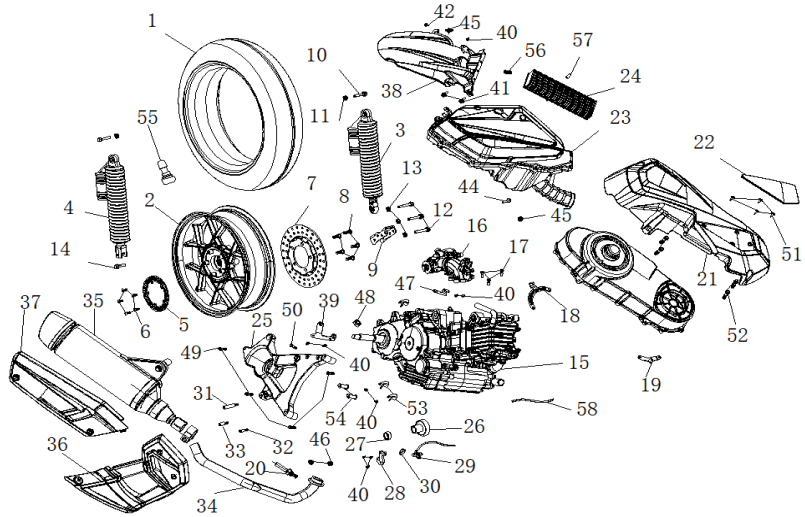


Ref.	Part Number		CHINESE NAME	Q.ty
41	GB6177.1.06.06	Nut M6	六角法兰面螺母M6	4
42	GB70.1.05016.06	hexagon socket bolt M5X16	内六角圆柱头螺栓M5*16	2
43	GB823.05012.06	Screw M5X12	十字槽小盘头螺钉M5*12	2
44	GB6187.1.08.06	Nut M8	六角法兰面锁紧螺母M8*1.25	2
45	1410056.G01S.06	metal locking Nut,M10	六角法兰面锁紧螺母M10*1.25	1
46	1410057.G01S.06	LOCKING NUT M12X1.25	六角法兰面锁紧螺母M12*1.25	2
47	GB5789.08020.06	Bolt M8X20	六角法兰面螺栓M8*20	4
48	GB70.1.08016.06	hexagon socket bolt M8X16	内六角圆柱头螺栓M8*16	4
49	GB70.1.06016.06	hexagon socket bolt M6X16	内六角圆柱头螺栓M6*16	2
50	GB5789.06016.06	Bolt M6X12	六角法兰面螺栓M6*16	8
51	1430131.T15J	RUBBER CAP	边管橡胶堵盖	2
52	GB5789.06030.06	Bolt M6X30	六角法兰面螺栓M6*25	2
53	1410118.T15J	Bush	ABS阀体安装衬套	2
54	1430125.T15S	Rubber Ring	ABS阀体橡胶圈	2
55	0130050.T15J	REAR RUBER FENDER	后挡泥板挡水皮	1
56	1430021.S01E.01	Cable ties	扎带(大飞机头)	4
57	1430082.G01S	clip φ13	穿线线夹φ13	2
58	GB91.25030.01	pin Φ2.5*30	开口销Φ2.5*30	1
59	1323100.T15S	Position Plate	定位片组件	2
60	1323200.T12S	Pin set	销轴组件	2
61	1325300.T15S.01	Bracket,L footrest	左后脚踏支架	1
62	1326300.T15S.01	Bracket,R footrest	右后脚踏支架	1
63	1325001.T12S	L footrest	左后脚踏	1
64	1326001.T12S	R footrest	右后脚踏	1
65	0311065.T15P	Bracket,rectifier	整流器支架	1



**T15-300 ABS**

**D-15: 发动机总成**

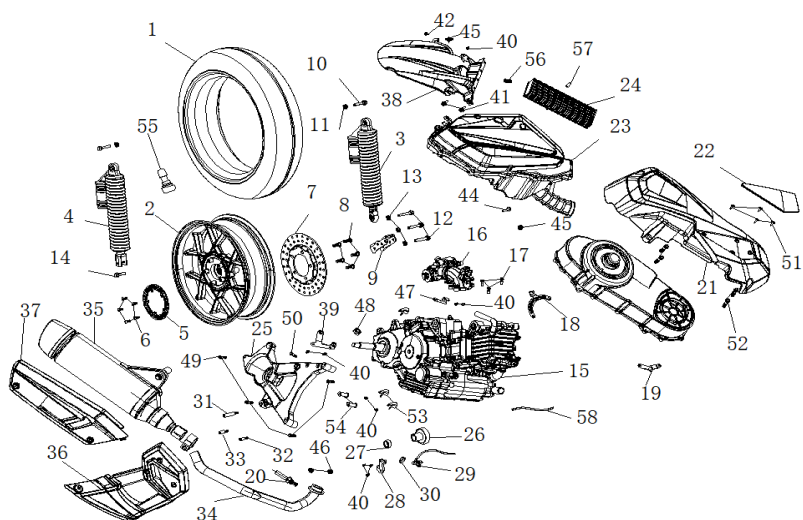


Ref.	GB894.1.20	Description	Q.ty
1	0620002.T11P.01	RR Tire	1
2	0620001.T15P	RR Rim	1
3	0421000.T15P	REAR ABSORBER L	1
4	0422000.T15P	REAR ABSORBER R	1
5	0542004.T11P	Rear gear sensor,ABS	1
6	GB823.05012.11	Screw M5*12	5
7	0520001.T11P	Disc of RR Brake	1
8	1410028.T09K	Bolt,disc plate	5
9	0344000.T10P	Bracket,rear absorber	1
10	GB5789.10040.06	Bolt M10X40	2
11	1410056.G01S.06	metal locking Nut,M10	2
12	GB5789.08045.06	Bolt M8X45	3
13	GB6187.1.08.06	Nut M8	3
14	GB5789.08035.06	Bolt M8X35	1
15	00000-NXW1-01	Engien ASSY	1
16	1141000.T12S	Throttle body assy	1
17	GB70.1.06020.06	hexagon socket bolt M6X26	3
18	1140012.T15P	Bracket,L engine cover,RR	1
19	1140009.T15P	Bracket,L engine cover	1
20	0720006.T09K.01	O2 Sensor	1
21	1140002.T15P	Engine Cover	1
22	1140004.T15P	Deco cover,Engine Cover	1
23	1121000.T15P	Air filter assy	1
24	1121002.T15S	elements,air filter	1
25	0342000.T10P	Swing arm,engine	1
26	0342002.T10P	outer spacer,Swing arm,engine	1
27	0342001.T10P	inner spacer,Swing arm,engine	1
28	0542010.T11P	Braket,rear gear sensor	1
29	0542016.T12P	Gear sensor	1
30	0542013.G01S	WASHER ,Gear sensor	1
31	1410069.T10P	Fr upper spacer,right Crankcase	1
32	1410071.T10P	Fr lower spacer,right Crankcase	1
33	1410072.T10P	Rr lower spacer,right Crankcase	1
34	1132000.T11P.05	Muffler pipe	1
35	1131000.T11P.04	Muffler Body with EPA Catalyst	1



**T15-300 ABS**

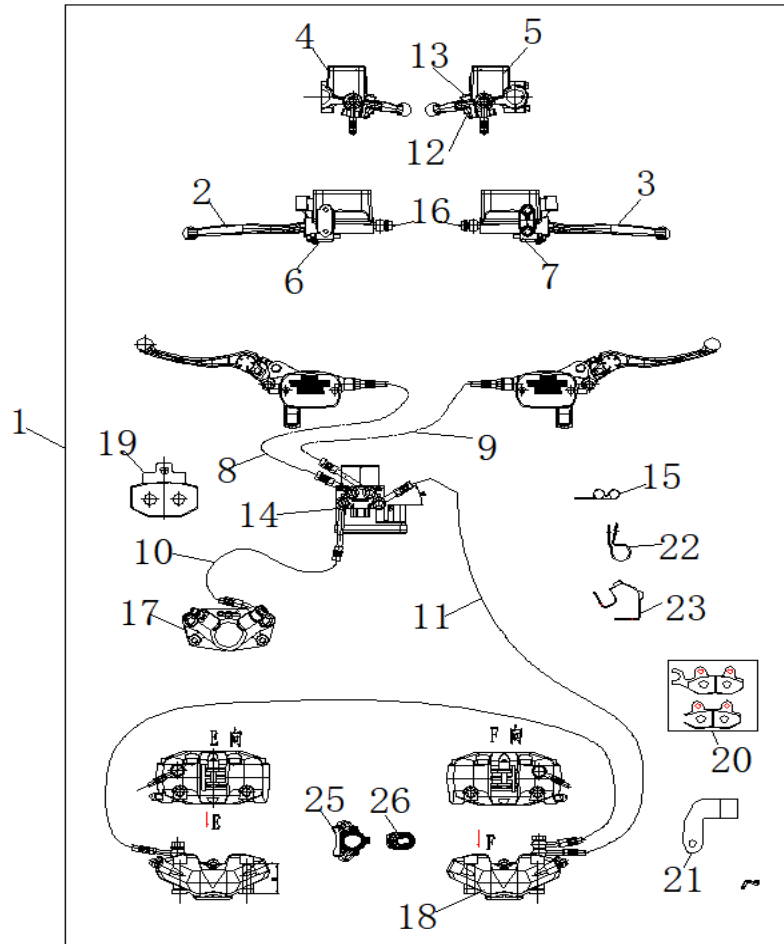
**D-15: 发动机总成**



Ref.	Part Number	Description	Q.ty
36	1130010.T10P	Fr muffler cover 消音器边盖前部	1
37	1130006.T10P	Muffler cover,main 消音器边盖	1
38	0130027.T15P	Rear fender inner 后轮泥板	1
39	0346004.T15P	Fr Bracket,Rear fender inner 后轮挡泥板支架前部	1
40	GB5789.06012.06	Bolt M6X12 六角法兰面螺栓M6*12	11
41	1410082.T15S.06	Bolt M6X14 六角法兰面螺栓M6*14*台阶3mm	2
42	GB845.48016.06	SCREW TAPPING 4.8*16 十字槽盘头自攻螺钉4.8*16	1
43	Q312.06.06	NUT M6 螺纹卡片M6	1
44	GB5789.06045.06	Bolt M6*45 六角法兰面螺栓M6*45	1
45	GB6177.1.06.06	Nut M6 六角法兰面螺母M6	1
46	GB6187.1.08.06	Nut M8 全金属六角法兰面锁紧螺母M8	2
47	0520003.T15P	Holder,Rr brake hose 后制动油管夹	2
48	GB6187.1.16.06	Self lock Nut 全金属六角法兰面锁紧螺母	1
49	1410077.T10P.10	Bolt M10*65*1.25 六角法兰面螺栓M10*65*1.25	4
50	GB5789.10085.06	Bolt M10*85*1.25 六角法兰面螺栓M10*85*1.25	1
51	GB845.42012.06	Screw ST4.2*12 十字槽盘头自攻螺钉4.2*12	4
52	GB70.1.06025.06	hexagon socket screw M6X25 内六角圆柱头螺栓M6*20	4
53	0542012.T11P	clip,gear sensor 齿圈传感器线夹	3
54	T09K.0611XJ13	clip speed sensor 计速器线套	2
55	0610003.G01S.01	Valve,Rim 后气门嘴(环保)	1
56	1121035.T15P	Rubber cap,Air filter 空滤器外盖橡胶帽	1
57	1121012.D01J	Seal cap 密封帽	1
58	1430114.T12S	Wires cover D,φ16 理线管D内径φ16	1

# T15-300 ABS

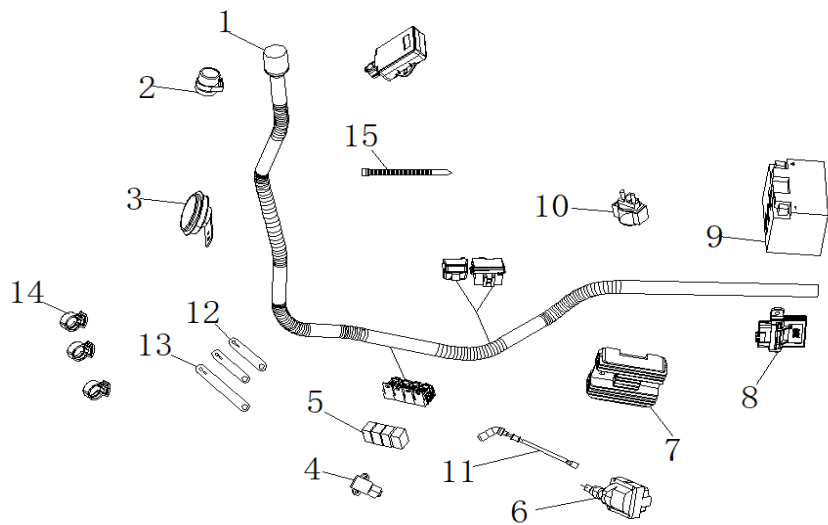
## D-16:ABS 制动总成



Ref.	Part Number		CHINESE NAME	Q.ty
1	0542000.T15P	ABS BRAKE ASSY.	ABS制动总成	1
2	0521001.T15P.01	LEVER L	后制动手柄	1
3	0511001.T15P.01	LEVER R	前制动手柄	1
4	0521000.T15P.01	MASTER CYLINDER PUMP RR	后制动器上泵	1
5	0511000.T15P.01	MASTER CYLINDER PUMP FR	前制动器上泵	1
6	0521002.T15P	SWITCH, RR BRAKE	后刹车开关	1
7	0511002.T15P	SWITCH, FR BRAKE	前刹车开关	1
8	0542007.T15P.01	RR upper brake pipe	后上制动软管	1
9	0511003.T15P.01	FR.BRAKE TUBE	前制动器主油管	1
10	0542008.T15P.01	RR lower brake pipe	后下制动软管	1
11	0542006.T15P.01	FR lower brake pipe	前下制动软管	1
12	0511006.T15P	FLANGE NUT M6	前制动手柄安装螺母	2
13	0511005.T15P	BOLT HANDLE LEVER	前制动手柄安装螺栓	2
14	0542001.T15P	ABS-ECU	ABS-ECU	1
15	0542012.D01J	ABS SENSOR WIRE CLIP	前齿圈传感器线夹	1
16	0510004.T15P	BOLT FRONT BRAKE TUBE	前制动器油管螺栓	8
17	0522100.T15P	LEFT CALIPER ASSY RR	后制动器左下泵	1
18	0512100.T15P.01	LEFT CALIPER ASSY FR	前制动器左下泵	1
19	0522101.T15P	RR Brake Pad	后制动摩擦片	1
20	0512101.T15P.01	FR Brake Pad	前制动摩擦片	1
21	0510003.T15P.01	BRAKE TUBE CLIP 1	前制动油管夹	1
22	0510003.T15P	BRAKE TUBE CLIP 2	前制动油管夹	2
23	0520003.D01P.01	BRAKE TUBE CLIP 3	后制动油管夹	2
24	0510005.T15P	Oil Seal Gasket	制动器油封垫片	16
25	0521004.T15S	ADJUST BUTTON BASE	后制动器半盖	1
26	0740003.T15S	ADJUST BUTTON	双跳开关	1

**T15-300 ABS**

**D-17: 电缆及电器件**



Ref.	Part Number		CHINESE NAME	Q.ty
1	0731000.T15P	#N/A	主电缆	1
2	0740002.T11P	Flasher	闪光器	1
3	0740001.T12S	#N/A	喇叭	1
4	0740004.T09K	#N/A	单撑熄火开关	1
5	0720007.T09K.01	ECU Relay	ECU继电器	4
6	0720004.G01R	#N/A	点火线圈 (高压包)	1
7	0720001.T10P	#N/A	整流器	1
8	0720005.T09J.01	ECU	ECU	1
9	1521000.T15P	#N/A	电池	1
10	0720002.T12S.01	Starting relay	起动继电器	1
11	0720008.T11P	#N/A	高压包帽 (含线)	1
12	1430014.G01S	RUBBER TIE 2	橡胶绑带	2
13	1430014.T15S.01	RUBBER TIE 1	橡胶绑带	1
14	1430140.C05J	CLIP Ø15	穿线线夹φ15	3
15	1430021.S01E.01	Cable ties	扎带	8