
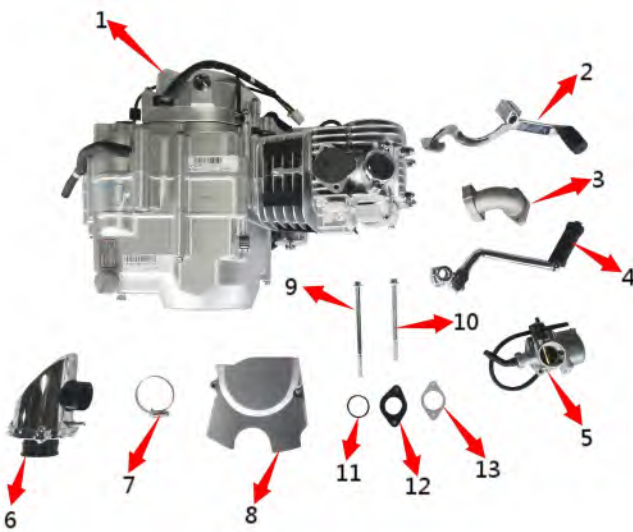


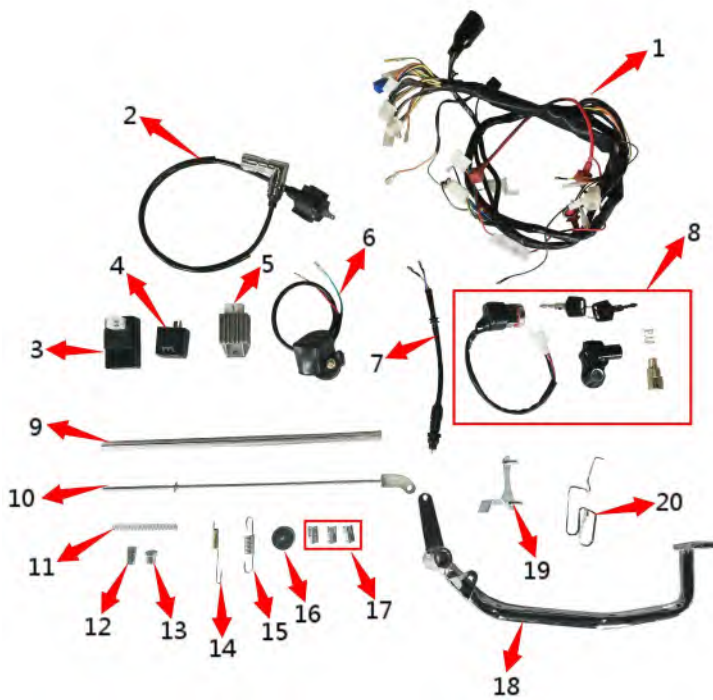
Parts No.	Discription	Qty per Vehicel
		<h1>BZ125-2</h1>



PBZ125-2-A-1	Frame	1
--------------	-------	---

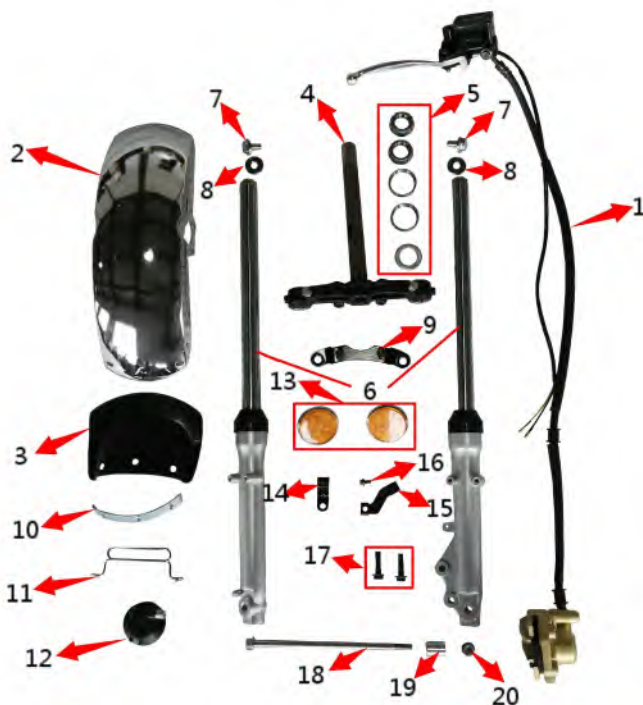


PBZ125-2-B-1	Engine	1
PBZ125-2-B-2	Shift lever	1
PBZ125-2-B-3	Intake pipe	1
PBZ125-2-B-4	starting lever	1
PBZ125-2-B-5	Carburetor	1
PBZ125-2-B-6	Air filter	1
PBZ125-2-B-7	Air filter clamp	1
PBZ125-2-B-8	Side cover	1
PBZ125-2-B-9	Engine mounting shaft up	1
PBZ125-2-B-10	Engine mounting shaft down	1
PBZ125-2-B-11	Bakelite mat sealing ring	1
PBZ125-2-B-12	Bakelite mat	1
PBZ125-2-B-13	Paper Pad	1



PBZ125-2-C-1	Main wire	1
PBZ125-2-C-2	Ignition coil	1
PBZ125-2-C-3	CDI	1
PBZ125-2-C-4	Relay winker	1
PBZ125-2-C-5	Regulator	1
PBZ125-2-C-6	Starter relay	1
PBZ125-2-C-7	Rear brake switch	1
PBZ125-2-C-8	Key set	1

PBZ125-2-C-9	Decorative strip	1
PBZ125-2-C-10	Rear brake lever	1
PBZ125-2-C-11	Rear brake lever spring	1
PBZ125-2-C-12	Bolt	1
PBZ125-2-C-13	Nut	1
PBZ125-2-C-14	Rear brake switch spring	1
PBZ125-2-C-15	Rear brake lever spring	1
PBZ125-2-C-16	Seat cushion	1
PBZ125-2-C-17	Decorative buckle	3
PBZ125-2-C-18	Pedal brake	1
PBZ125-2-C-19	Ignition coil bracket	1
PBZ125-2-C-20	Main wire clamp	1



PBZ125-2-D-1	Front disc brake	1
PBZ125-2-D-2	Front fender	1
PBZ125-2-D-3	Rear front fender	1
PBZ125-2-D-4	Steering stem	1
PBZ125-2-D-5	Integral steel bowl with flat pad	5
PBZ125-2-D-6	Front shock	2
PBZ125-2-D-7	Front shock bolt	2

PBZ125-2-D-8	Front shock gasket	2
PBZ125-2-D-9	Steering stem bracket	1
PBZ125-2-D-10	Damper	1
PBZ125-2-D-11	Front fender cable clip	1
PBZ125-2-D-12	Speedometer Gear	1
PBZ125-2-D-13	Reflect mirror	2
PBZ125-2-D-14	Disc brake line clamp up	1
PBZ125-2-D-15	Disc brake line clamp down	1
PBZ125-2-D-16	Bolt	1
PBZ125-2-D-17	Disc brake bolt	2
PBZ125-2-D-18	Front axle	1
PBZ125-2-D-19	Front axle bushing	1
PBZ125-2-D-20	Nut	1



PBZ125-2-E-1	Lfet hand grip	1
PBZ125-2-E-2	Throttle grip	1
PBZ125-2-E-3	Left control panel	1

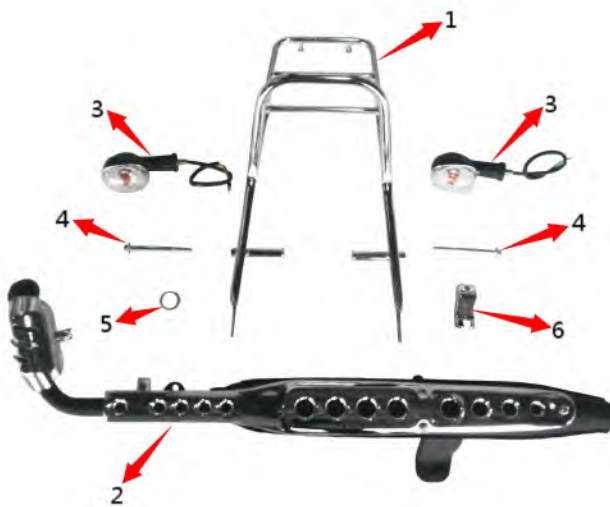
PBZ125-2-E-4	Right control panel	1
PBZ125-2-E-5	Left handlebar	1
PBZ125-2-E-6	Right handlebar	1
PBZ125-2-E-7	Rear mirror LH	1
PBZ125-2-E-8	Rear mirror RH	1
PBZ125-2-E-9	Handle bar seat	1
PBZ125-2-E-10	Cable throttle	1
PBZ125-2-E-11	Steering head	1
PBZ125-2-E-12	Horn	1
PBZ125-2-E-13	Front left turning light	1
PBZ125-2-E-14	Front right turning light	1
PBZ125-2-E-15	Headlight bracket	1
PBZ125-2-E-16	Emblem	1
PBZ125-2-E-17	Handlebar lever lock	2
PBZ125-2-E-18	Spring	2
PBZ125-2-E-19	Headlight bracket rubber pad	2
PBZ125-2-E-20	Nut	1
PBZ125-2-E-21	Shield	1
PBZ125-2-E-22	Nut	1
PBZ125-2-E-23	Bottom flat pad	2



PBZ125-2-F-1	Rear fender	1
PBZ125-2-F-2	Rear fender, rear	1
PBZ125-2-F-3	Cable, speedometer	1
PBZ125-2-F-4	Headlight cover	1
PBZ125-2-F-5	Speedo Gauge	1
PBZ125-2-F-6	Headlight	1
PBZ125-2-F-7	Bracket for license plate	1
PBZ125-2-F-8	Tail lamp	1
PBZ125-2-F-9	Battery bracket	1
PBZ125-2-F-10	Battery assy	1
PBZ125-2-F-11	Regulator bracket	1
PBZ125-2-F-12	Rear fender rubber pad big	2
PBZ125-2-F-13	Engine connecting line	1
PBZ125-2-F-13	Engine connecting line	1

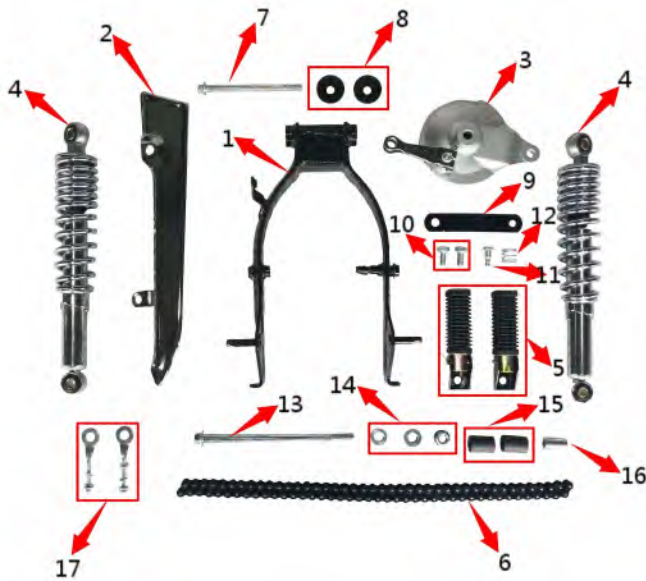


PBZ125-2-G-1	Seat	1
PBZ125-2-G-2	Tool box	1
PBZ125-2-G-3	Tool set	1
PBZ125-2-G-4	Tool box belt	1
PBZ125-2-G-5	Reflector plate	1
PBZ125-2-G-6	Bracket for reflector plate	1



PBZ125-2-H-1	Rear shelf	1
PBZ125-2-H-2	Muffler	1
PBZ125-2-H-3	Rear left and right turning light	2

PBZ125-2-H-4	Rear shelf axle	2
PBZ125-2-H-5	Muffler washer	1
PBZ125-2-H-6	Muffler bracket	1



PBZ125-2-I-1	Swinging arm set	1
PBZ125-2-I-2	Chain cover	1
PBZ125-2-I-3	Panel, rear hub	1
PBZ125-2-I-4	Rear shock	2
PBZ125-2-I-5	Footpegs	2
PBZ125-2-I-6	Chain	1
PBZ125-2-I-7	Rear fork axle	1
PBZ125-2-I-8	Dust cover of rear fork	2
PBZ125-2-I-9	Connect plate	1
PBZ125-2-I-10	Footpegs bolt	2
PBZ125-2-I-11	Connect plate bolt	1
PBZ125-2-I-12	Connect plate spring	1
PBZ125-2-I-13	Rear tire axle	1
PBZ125-2-I-14	Rear tire bushing and nut	3
PBZ125-2-I-15	Swinging arm out bushing	2

PBZ125-2-I-16	Swinging arm inner bushing	1
PBZ125-2-I-17	Chain adjuster	2



PBZ125-2-J-1	Footrest bracket	1
PBZ125-2-J-2	Stand, center	1
PBZ125-2-J-3	Foot skin	2
PBZ125-2-J-4	Side stand	1
PBZ125-2-J-5	Stand center cushion pad	1
PBZ125-2-J-6	Side stand bolt	1
PBZ125-2-J-7	Stand center axle	1
PBZ125-2-J-8	Flat pad	2
PBZ125-2-J-9	Big cotton pin	1
PBZ125-2-J-10	Stand center inner spring	1
PBZ125-2-J-11	Stand center out spring	1
PBZ125-2-J-12	Side stand spring	1



PBZ125-2-K-1	Fuel tank	1
PBZ125-2-K-2	Battery protection pad	1
PBZ125-2-K-3	Fuel tank cover	1
PBZ125-2-K-4	Hose	2
PBZ125-2-K-5	Rubber pad	2
PBZ125-2-K-6	Fuel tank ring rubber	1
PBZ125-2-K-7	Main wire cushion pad	1
PBZ125-2-K-8	Battery belt	1
PBZ125-2-K-9	Fuel tank cap	1
PBZ125-2-K-10	Fuel tank switch	1



PBZ125-2-L-1	Front tire	1
PBZ125-2-L-2	Front inner tire	1
PBZ125-2-L-3	Rim, LH	1
PBZ125-2-L-4	Rim, RH	1
PBZ125-2-L-5	Drum, front hub	1
PBZ125-2-L-6	Front brake disc	1



PBZ125-2-M-1	Rear tire	1
PBZ125-2-M-2	Rear inner tire	1
PBZ125-2-M-3	Rim, LH	1
PBZ125-2-M-4	Rim, RH	1
PBZ125-2-M-5	Drum, rear hub	1
PBZ125-2-M-6	Rear sprocket	1