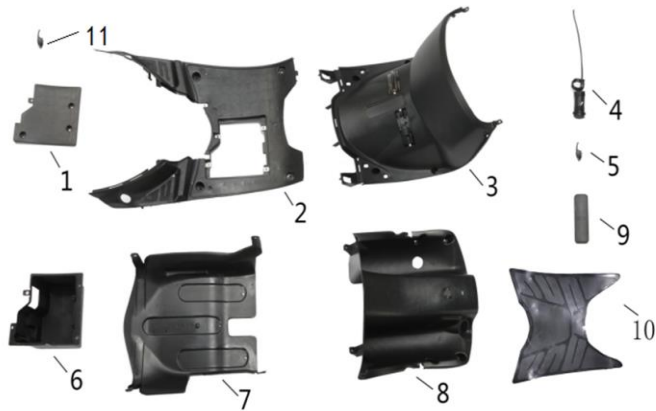




| Parts No. | Description | Qty per Vehicel |
|---------------|---------------------------------|-----------------|
| PMZ50-4-A-001 | Rear Fender | 1 |
| PMZ50-4-A-002 | Rear Light Assy | 1 |
| PMZ50-4-A-003 | Rear Retro Reflecting Device | 1 |
| PMZ50-4-A-004 | Side Circular Reflecting Device | 2 |
| PMZ50-4-A-005 | Bracket,Registration Plate | 1 |
| PMZ50-4-A-006 | Rear Mudguard, Rear Wheel | 1 |



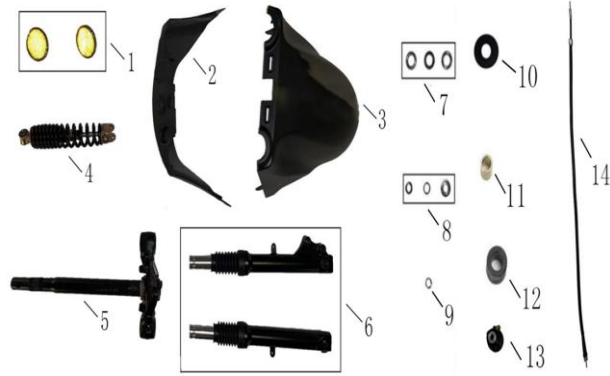
| Parts No. | Description | Qty per Vehicel |
|---------------|------------------------------|-----------------|
| PMZ50-4-B-001 | Cover, Battery | 1 |
| PMZ50-4-B-002 | Footrest Base Panel | 1 |
| PMZ50-4-B-003 | Lower, Front Luggage Carrier | 1 |
| PMZ50-4-B-004 | USB | 1 |
| PMZ50-4-B-005 | Helmet Hook | 1 |
| PMZ50-4-B-006 | Box, Battery | 1 |
| PMZ50-4-B-007 | Fender | 1 |
| PMZ50-4-B-008 | Upper, Front Luggage Carrier | 1 |
| PMZ50-4-B-009 | Cover, Chassis No. | 1 |
| PMZ50-4-B-010 | Rubber Mat | 1 |
| PMZ50-4-B-011 | Hook, seat cask | 1 |



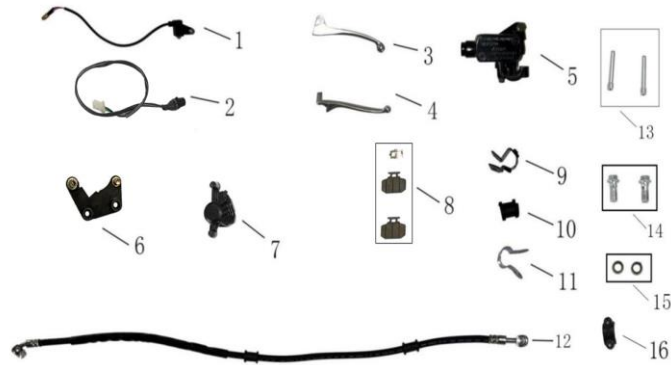
| Parts No. | Description | Qty per Vehicel |
|---------------------|-------------------------------|-----------------|
| PMZ50-4-C-001 | Right Shield | 1 |
| PMZ50-4-C-002 | Front cover, seat | 1 |
| PMZ50-4-C-003Black | R. Decorating Cover | 1 |
| PMZ50-4-C-003Yellow | R. Decorating Cover | 1 |
| PMZ50-4-C-003Grey | R. Decorating Cover | 1 |
| PMZ50-4-C-003White | R. Decorating Cover | 1 |
| PMZ50-4-C-003Red | R. Decorating Cover | 1 |
| PMZ50-4-C-004Black | Rear Central Decorating Cover | 1 |
| PMZ50-4-C-004Yellow | Rear Central Decorating Cover | 1 |
| PMZ50-4-C-004Grey | Rear Central Decorating Cover | 1 |
| PMZ50-4-C-004White | Rear Central Decorating Cover | 1 |
| PMZ50-4-C-004Red | Rear Central Decorating Cover | 1 |
| PMZ50-4-C-005 | Rear Shield | 1 |
| PMZ50-4-C-006Black | L. Decorating Cover | 1 |
| PMZ50-4-C-006Yellow | L. Decorating Cover | 1 |
| PMZ50-4-C-006Grey | L. Decorating Cover | 1 |
| PMZ50-4-C-006White | L. Decorating Cover | 1 |
| PMZ50-4-C-006Red | L. Decorating Cover | 1 |
| PMZ50-4-C-007 | Left Shield | 1 |



| Parts No. | Description | Qty per Vehicel |
|---------------|---------------------------|-----------------|
| PMZ50-4-D-001 | Inside Cover, seat bucket | 1 |
| PMZ50-4-D-002 | Seat bucket | 1 |
| PMZ50-4-D-003 | SEAT CUSION LOCK HOOK | 1 |
| PMZ50-4-D-004 | Rear rack | 1 |
| PMZ50-4-D-005 | seat | 1 |
| PMZ50-4-D-006 | Lock Assy, Seat | 1 |
| PMZ50-4-D-007 | Cable, Seat Lock | 1 |
| PMZ50-4-D-008 | rack Plug 1.5, | 3 |



| Parts No. | Description | Qty per Vehicle |
|---------------|--------------------------------------|-----------------|
| PMZ50-4-E-001 | Side Circular Reflecting Device | 1 pair |
| PMZ50-4-E-002 | Rear front fender | 1 |
| PMZ50-4-E-003 | Front rear fender | 1 |
| PMZ50-4-E-004 | Rear single shock 250 black | 1 |
| PMZ50-4-E-007 | Lower Bridge Assy, Steer Stem | 1 |
| PMZ50-4-E-006 | Front shock | 1 pair |
| PMZ50-4-E-007 | Bottom Concave, Steel Ball Bowl Assy | 1 set |
| PMZ50-4-E-007 | Top Protrude, Steel Ball Bowl Assy | |
| PMZ50-4-E-009 | Flange Lock Nut | 1 |
| PMZ50-4-E-010 | Dust boot for Steel bowl, | 1 |
| PMZ50-4-E-011 | Upper bush, rear shock | 1 |
| PMZ50-4-E-012 | Upper bush's buffer, rear shock | 1 |
| PMZ50-4-E-013 | Speed counter | 1 |
| PMZ50-4-E-014 | Cable, Odometer | 1 |



| Parts No. | Description | Qty per Vehicle |
|---------------|--|-----------------|
| PMZ50-4-F-001 | Brake Switch RH | 1 |
| PMZ50-4-F-002 | Brake Switch LH | 1 |
| PMZ50-4-F-003 | Left Lever | 1 |
| PMZ50-4-F-004 | Right Lever | 1 |
| PMZ50-4-F-005 | Brake upper Pump (master cylinder) | 1 |
| PMZ50-4-F-006 | Pump Bracket (caliper mounting bracket) (sold as assembly) | 1 |
| PMZ50-4-F-007 | Brake under the Pump (caliper) | 1 |
| PMZ50-4-F-008 | Brake pad | 1 |
| PMZ50-4-F-009 | Brake clip (sold as assembly) | 1 |
| PMZ50-4-F-010 | Cable Bracket (sold as assembly) | 1 |
| PMZ50-4-F-011 | Brake Cable Clip (sold as assembly) | 1 |
| PMZ50-4-F-012 | Brake tube | 1 |
| PMZ50-4-F-013 | Bottom Bracket pin (sold as assembly) | 2 |


| | | |
|---------------|---|---|
| PMZ50-4-F-014 | Oil bolts (sold as assembly) | 2 |
| PMZ50-4-F-015 | Seal spacer (sold as assembly) | 2 |
| PMZ50-4-F-016 | Brake upper Pump Cap (sold as assembly) | 1 |




| Parts No. | Description | Qty per Vehicel |
|---------------------|------------------------------|-----------------|
| PMZ50-4-G-001 | Throttle Cable | 1 |
| PMZ50-4-G-002 | Multi-function switch(left) | 1 |
| PMZ50-4-G-003 | Cable for left turn light | 1 |
| PMZ50-4-G-004 | Bracket for turn lights | 1 pair |
| PMZ50-4-G-005 | Meter | 1 |
| PMZ50-4-G-006 | Meter Cover | 1 |
| PMZ50-4-G-007-L | Grip(left) | 1 |
| PMZ50-4-G-007-R | Grip(right) | 1 |
| PMZ50-4-G-008 | Handle Comp | 1 |
| PMZ50-4-G-009Black | Headlight cover | 1 |
| PMZ50-4-G-009Yellow | Headlight cover | 1 |
| PMZ50-4-G-009Grey | Headlight cover | 1 |
| PMZ50-4-G-009White | Headlight cover | 1 |
| PMZ50-4-G-009Red | Headlight cover | 1 |
| PMZ50-4-G-010 | Brake line | 1 |
| PMZ50-4-G-011 | Multi-function switch(right) | 1 |
| PMZ50-4-G-012 | Cable for left turn light | 1 |
| PMZ50-4-G-013 | Rear View Mirror, L./R | 1 pair |



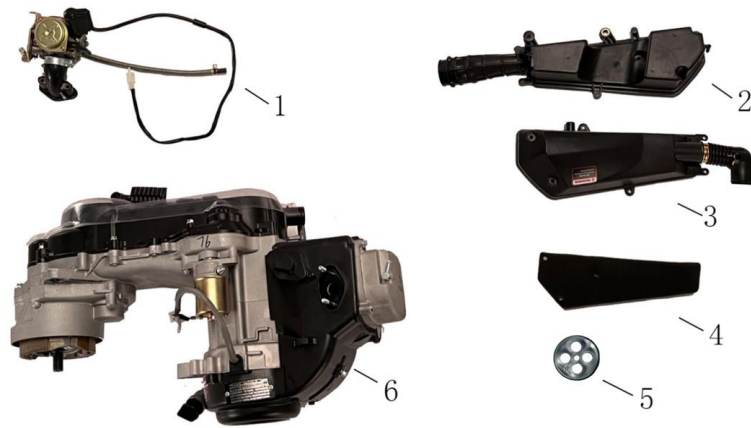
| Parts No. | Description | Qty per Vehicel |
|---------------|--------------------------|-----------------|
| PMZ50-4-H-001 | Kenda tire | 1 |
| PMZ50-4-H-002 | Front rim | 1 |
| PMZ50-4-H-003 | disc | 1 |
| PMZ50-4-H-004 | Tubeless Valve | 1 |
| PMZ50-4-H-005 | Front axle bushing 12*13 | 1 |
| PMZ50-4-H-006 | Front wheel inner tube | 1 |
| PMZ50-4-H-007 | Axle 10*198 | 1 |
| PMZ50-4-H-008 | Bearing 6201 | 2 |

| | | |
|--|-------------|---|
| PMZ50-4-H-009 | Bolts M8*25 | 3 |
|  | | |

| Parts No. | Description | Qty per Vehicel |
|---------------|----------------|-----------------|
| PMZ50-4-J-001 | Kenda tire | 1 |
| PMZ50-4-J-002 | Rear rim | 1 |
| PMZ50-4-J-003 | Tubeless Valve | 1 |

| | | |
|---|--|--|
|  | | |
|---|--|--|

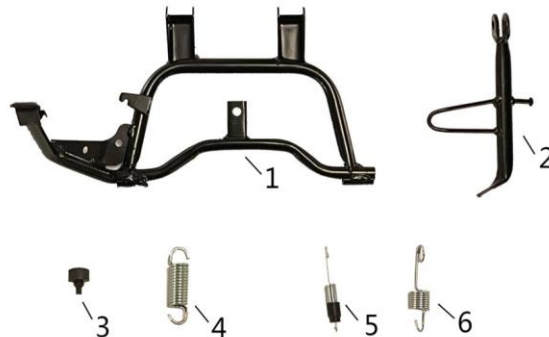
| Parts No. | Description | Qty per Vehicel |
|---------------|----------------------------|-----------------|
| PMZ50-4-K-001 | Circular Sensors | 1 |
| PMZ50-4-K-002 | Fuel Tank Assy | 1 |
| PMZ50-4-K-003 | Breather Tube | 1 |
| PMZ50-4-K-004 | Breather Tube | 1 |
| PMZ50-4-K-005 | Overflow Oil Tube | 1 |
| PMZ50-4-K-006 | Gearbox, exhause pipe clip | 1 |
| PMZ50-4-K-007 | Oil switch | 1 |
| PMZ50-4-K-008 | Fuel Filter | 1 |
| PMZ50-4-K-009 | Clip 7# | 6 |
| PMZ50-4-K-010 | Clip 8# | 8 |



| Parts No. | Description | Qty per Vehicle |
|---------------|--------------------|-----------------|
| PMZ50-4-L-001 | Carburetor Assy | 1 |
| PMZ50-4-L-002 | Body, Air Cleaner | 1 |
| PMZ50-4-L-003 | Cover, Air Cleaner | 1 |
| PMZ50-4-L-004 | filter | 1 |
| PMZ50-4-L-005 | Air filter plug | 1 |
| PMZ50-4-L-006 | Engine Assy | 1 |
| PMZ50-4-L-007 | STATOR | 1 |



| Parts No. | Description | Qty per Vehicle |
|---------------|-----------------|-----------------|
| PMZ50-4-M-001 | Exhaust Muffler | 1 |
| PMZ50-4-M-002 | Muffler cover | 1 |
| PMZ50-4-M-003 | Muffler gasket | 1 |

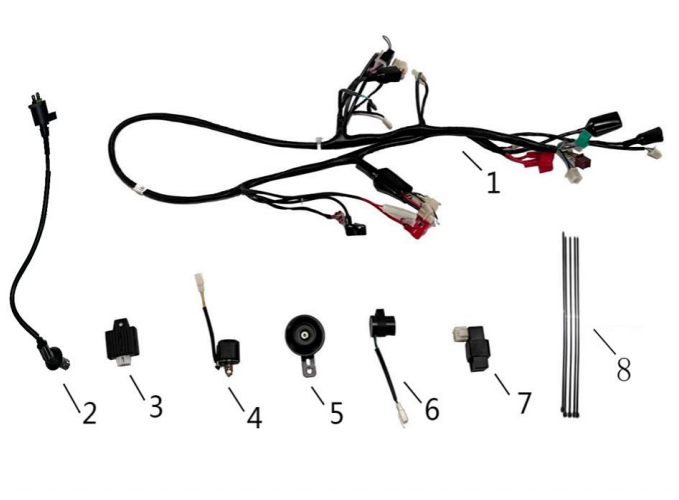


| Parts No. | Description | Qty per Vehicle |
|---------------|-----------------|-----------------|
| PMZ50-4-N-001 | Main Stand Assy | 1 |
| PMZ50-4-N-002 | Side Stand Assy | 1 |

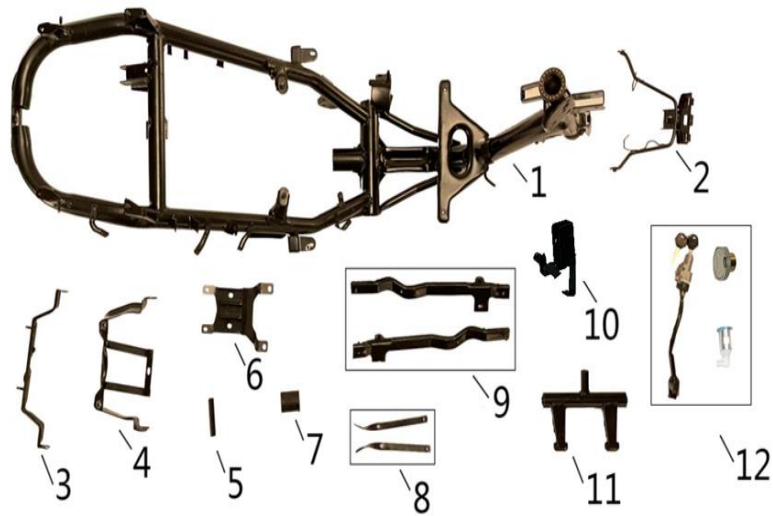
| | | |
|---------------|-------------------------------------|---|
| PMZ50-4-N-003 | Buffer of hanger | 1 |
| PMZ50-4-N-004 | Main stand spring | 1 |
| PMZ50-4-N-005 | Side Stand Spring(internal circlip) | 1 |
| PMZ50-4-N-006 | Side Stand Spring(external circlip) | 1 |



| Parts No. | Description | Qty per Vehicel |
|---------------|--------------|-----------------|
| PMZ50-4-P-001 | Battery assy | 1 |




| Parts No. | Description | Qty per Vehicel |
|---------------|--------------------|-----------------|
| PMZ50-4-Q-001 | Wire Harness | 1 |
| PMZ50-4-Q-002 | Ignition Coil Assy | 1 |
| PMZ50-4-Q-003 | Rectifier | 1 |
| PMZ50-4-Q-004 | Relay | 1 |
| PMZ50-4-Q-005 | Horn | 1 |
| PMZ50-4-Q-006 | Winker Relay | 1 |
| PMZ50-4-Q-007 | ignition | 1 |
| PMZ50-4-Q-008 | Strip Set | 5 |



| Parts No. | Description | Qty per Vehicel |
|------------------|--------------------------------------|-----------------|
| PMZ50-4-R-001 | Frame | 1 |
| PMZ50-4-R-002 | Bracket, Front Mudguard | 1 |
| PMZ50-4-R-003 | Bracket, Lock Assy, Seat | 1 |
| PMZ50-4-R-004 | Block Holder, Fuel Tank | 1 |
| PMZ50-4-R-005 | Hanger liner | 1 |
| PMZ50-4-R-006 | Block Holder, Fuel Tank, pull block | 1 |
| PMZ50-4-R-007 | Retainer Rubber, Swing arm | 1 |
| PMZ50-4-R-008 | Block Holder, Fuel Tank, left lever | 1 |
| PMZ50-4-R-008-01 | Block Holder, Fuel Tank, right lever | 1 |
| PMZ50-4-R-009 | Left Shield | 1 |
| PMZ50-4-R-009-01 | Right Shield | 1 |
| PMZ50-4-R-010 | Bracket, Horn | 1 |
| PMZ50-4-R-011 | Swing arm | 1 |
| PMZ50-4-R-012 | Lock Set with cable | 1 |



| Parts No. | Description | Qty per Vehicel |
|---------------------|-------------------------------------|-----------------|
| PMZ50-4-S-001 | L. Front Turning Light Assy | 1 |
| PMZ50-4-S-002 | Headlight Assy | 1 |
| PMZ50-4-S-003 | R. Front Turning Light Assy | 1 |
| PMZ50-4-S-004 | Front Shield light | 1 |
| PMZ50-4-S-005Black | Decorating Small Cover, Front Cover | 1 |
| PMZ50-4-S-005Yellow | Decorating Small Cover, Front Cover | 1 |
| PMZ50-4-S-005Grey | Decorating Small Cover, Front Cover | 1 |
| PMZ50-4-S-005White | Decorating Small Cover, Front Cover | 1 |
| PMZ50-4-S-005Red | Decorating Small Cover, Front Cover | 1 |
| PMZ50-4-S-006Black | Front Cover | 1 |
| PMZ50-4-S-006Yellow | Front Cover | 1 |
| PMZ50-4-S-006Grey | Front Cover | 1 |
| PMZ50-4-S-006White | Front Cover | 1 |
| PMZ50-4-S-006Red | Front Cover | 1 |
| PMZ50-4-S-007 | Front Shield | 1 |

| | | |
|---|--------------------------|-----------------|
| PMZ50-4-S-008 | HEADLIGHT BULB | |
| PMZ50-4-S-009Black | body kit | 1 set |
| PMZ50-4-S-009Yellow | body kit | 1 set |
| PMZ50-4-S-009Grey | body kit | 1 set |
| PMZ50-4-S-009White | body kit | 1 set |
| PMZ50-4-S-009Red | body kit | 1 set |
|  | | |
| Parts No. | Description | Qty per Vehicel |
| PMZ50-4-T-001 | Owner's manual | 1 |
| PMZ50-4-T-002 | Tools Bag | 1 |
| PMZ50-4-T-003 | Spark Plug Socket | 1 |
| | Double Ended Spanne | 1 |
| | Screw Driver | 1 |
| PMZ50-4-Body Kit-RED | BODY KIT MET. RED | 1 |
| PMZ50-4-Body Kit-YEL | BODY KIT MET. YELLOW | 1 |
| PMZ50-4-Body Kit-GREY | BODY KIT MET. GREY | 1 |
| PMZ50-4-Body Kit-TEAL | BODY KIT MET. TEAL | 1 |
| PMZ50-4-Body Kit-BLK | BODY KIT MET. BLACK | 1 |
| PMZ50-4-Plastic Body-RED | PLASTIC BODY MET. RED | 1 |
| PMZ50-4-Plastic Body-YEL | PLASTIC BODY MET. YELLOW | 1 |
| PMZ50-4-Plastic Body-GREY | PLASTIC BODY MET. GREY | 1 |
| PMZ50-4-Plastic Body-TEAL | PLASTIC BODY MET. TEAL | 1 |
| PMZ50-4-Plastic Body-BLK | BODY KIT MET. BLACK | 1 |