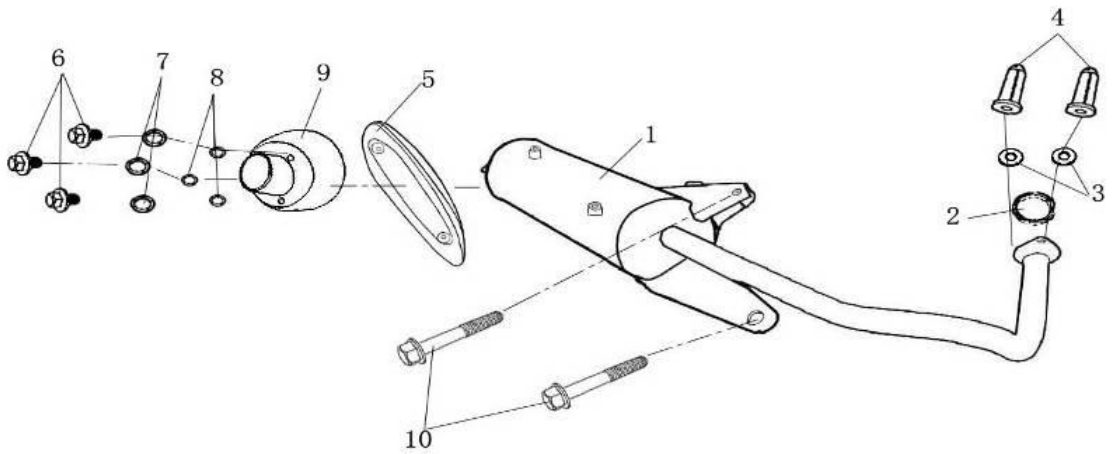
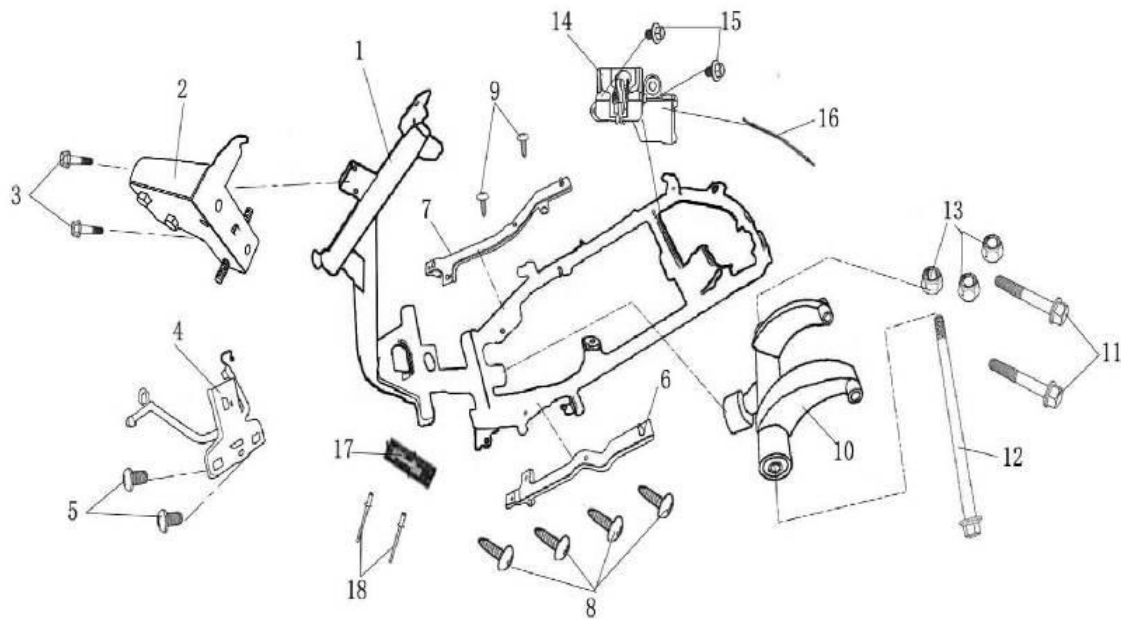


PARTS CATALOGUE					
图 1			Model		JONWAY 50QT-6
Draft 1			Part No.		YY50QT01000



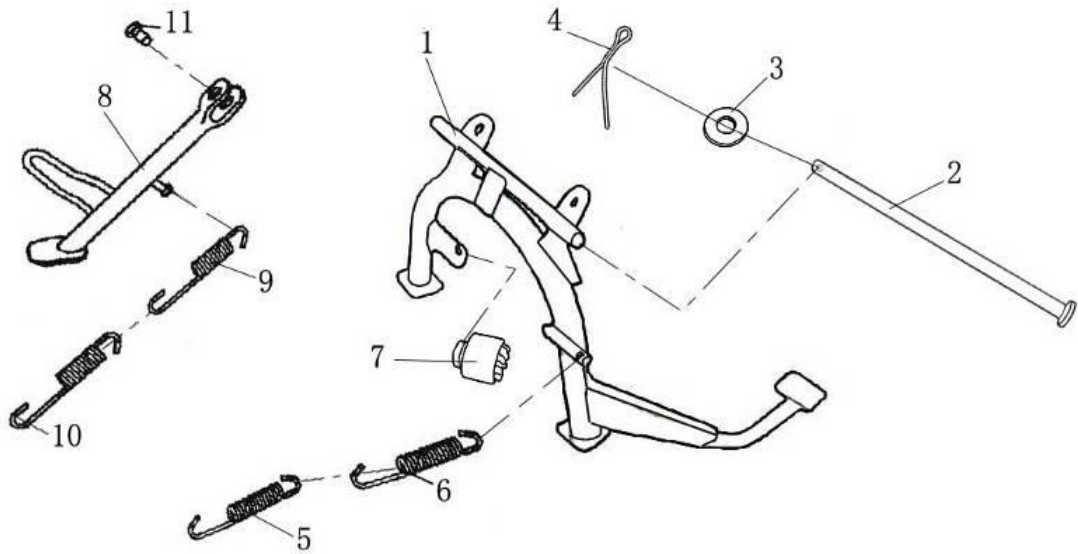
NO.		Part NO.	Description	Chinese Name	QTY
				消声器总成铁(铁)(带触媒)	
1	PMZ50-4J-A-001	YY50QT001001	Exhaust Muffler	消声器总成铁(铁)	1
2	PMZ50-4J-A-002	YY50QT001002	Washer, Exhaust Out	排气口垫片	1
3	PMZ50-4J-A-003	YY50QT001003	Washer	垫片	2
4	PMZ50-4J-A-004	YY50QT001004	Cap Nut, M6	消声器盖型螺母M6	2
5	PMZ50-4J-A-005	YY50QT001005	Decorating Plate, Mu	消声器装饰板	1
6	PMZ50-4J-A-006	GB/T5787-M6×10	Flange Bolt, M6×10	法兰螺栓M6×10	3
7	PMZ50-4J-A-007	GB/T95-φ 6	Plain Washer, φ6	平垫圈φ 6	3
8	PMZ50-4J-A-008	GB/T93-φ 6	Spring Washer, φ6	弹簧垫圈φ 6	3
9	PMZ50-4J-A-009	YY50QT001006	Tail Insulate Cover, Muffler	消声器尾部隔热罩	1
10	PMZ50-4J-A-010	GB/T5789-M8×40	Bolt, M8×40	法兰螺栓M8×40	2

图 2		Model	JONWAY 50QT-6
Draft 2		Part No.	YY50QT02000



NO.	Part NO.	Description	Chinese Name	QTY
1	PMZ50-4J-B-001 YY50QT002001	Frame	车架	1
2	PMZ50-4J-B-002 YY50QT002002	Bracket, Horn	喇叭支架	1
3	PMZ50-4J-B-003 GB/T5789-M6×30	Bolt, M6×30	法兰螺栓M6×30	2
4	PMZ50-4J-B-004 YY50QT002003	Bracket, Front Mudguard	前轮挡泥板支架	1
5	PMZ50-4J-B-005 GB/T818-M6×16	Screw, M6×16	十字盘头螺钉M6×16	2
6	PMZ50-4J-B-006 YY50QT002004	L. Side Holder	左边条	1
7	PMZ50-4J-B-007 YY50QT002005	R. Side Holder	右边条	1
8	PMZ50-4J-B-008 GB/T845-ST4.8×16	Screw, Tapping ST4.8	自攻螺钉ST4.8×16	4
9	PMZ50-4J-B-009 GB/T845-ST4.2×12	Screw, Tapping ST4.2	自攻螺钉ST4.2×12	2
10	PMZ50-4J-B-010 YY50QT002006	Engine Mount	动力吊架	1
11	PMZ50-4J-B-011 GB/T5789-M10×70	Bolt, M10×70	法兰螺栓M10×70	2
12	PMZ50-4J-B-012 YY50QT002007	Engine Mount Bolt, M10	吊架轴M10×1.25×240	1
13	PMZ50-4J-B-013 GB/6187.1-M10	Flange Lock Nut, M10	法兰锁紧螺母M10	3
14	PMZ50-4J-B-014 YY50QT002008	Lock Assy, Seat	座垫锁座	1
15	PMZ50-4J-B-015 GB/T5789-M6×16	Flange Bolt, M6×16	法兰螺栓M6×16	2
16	PMZ50-4J-B-016 YY50QT002009	Cable, Seat Lock	座垫锁线	1
17	PMZ50-4J-B-017 YY50QT002010	Statutory Inscription Plate	铭牌	1
18	PMZ50-4J-B-018 GB/T12615	Rivet, Statutory Inscription	铭牌铆钉	2

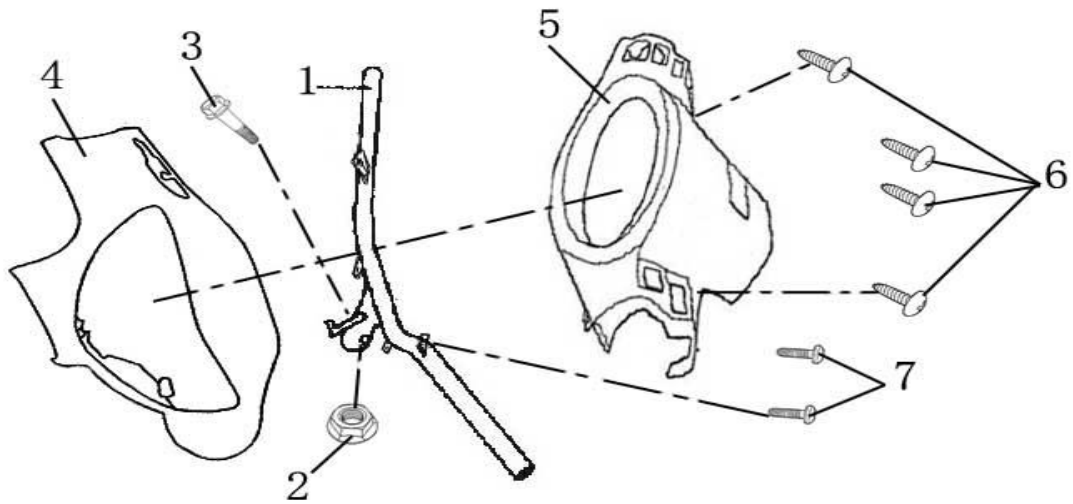
图 3		Model	JONWAY 50QT-6
Draft 3		Part No.	YY50QT03000



NO.	Part NO.	Description	Chinese Name	QTY
1	PMZ50-4J-C-001 YY50QT003001	Main Stand Assy	主支架	1
2	PMZ50-4J-C-002 YY50QT003002	Main Stand Axle, $\phi 8 \times 170$	主支架轴 $\phi 8 \times 170$	1
3	PMZ50-4J-C-003 GB/T95- $\phi 8$	Plain Washer, $\phi 8$	平垫圈 $\phi 8$	1
4	PMZ50-4J-C-004 YY50QT003003	Clip Pin	开口销	1
5	PMZ50-4J-C-005 YY50QT003004	Side Spring, Main Stand	主支架内弹簧	1
6	PMZ50-4J-C-006 YY50QT003005	Spring, Main Stand	主支架外弹簧	1
7	PMZ50-4J-C-007 YY50QT003006	Retainer Rubber, Main Stand	主支架缓冲块	1
8	PMZ50-4J-C-008 YY50QT003007	Side Stand Assy	侧支架	1
9	PMZ50-4J-C-009 YY50QT003008	Spring, Side Stand	侧支架外弹簧	1
10	PMZ50-4J-C-010 YY50QT003009	Side Spring, Side Stand	侧支架内弹簧	1
11	PMZ50-4J-C-011 YY50QT003010	Bolt, Side Stand	侧支架螺栓	1

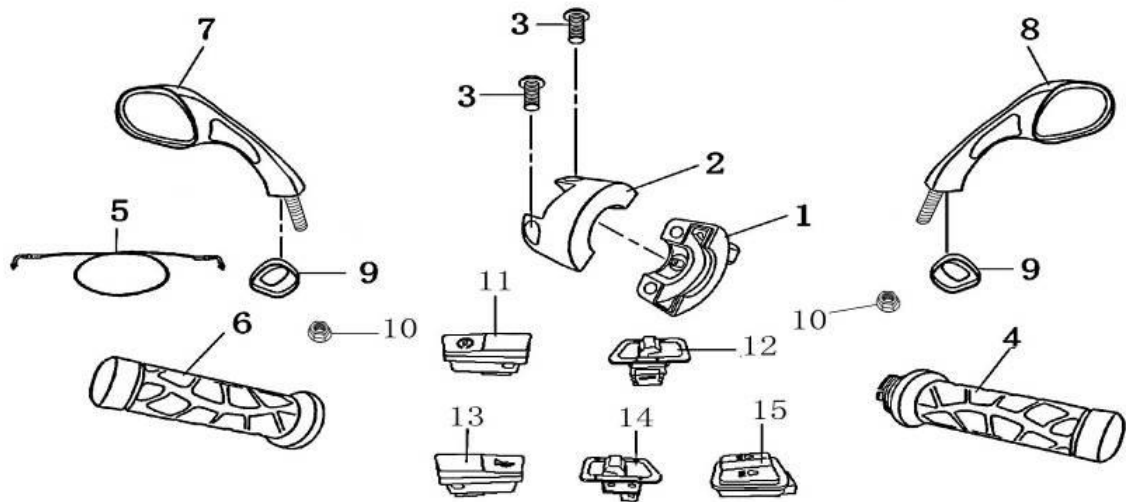
图 4			Model	JONWAY 50QT-6	
Draft 4			Part No.	YY50QT04000	
NO.	Part NO.	Description	Chinese Name	QTY	
1	PMZ50-4J-D-001 YY50QT004001	Rear Baggage Rack	载物架	1	
2	PMZ50-4J-D-002 GB/T70.1-M8×40	Inner Hex Screw, M8×40	内六角圆柱头螺钉M8×40	2	
3	PMZ50-4J-D-003 GB/T70.1-M8×85	Inner Hex Screw, M8×85	内六角圆柱头螺钉M8×85	1	
4	PMZ50-4J-D-004 YY50QT004002	Bracket, Rear Baggage Rack	载物架支架	1	
5	PMZ50-4J-D-005 GB/T5789-M6×12	Flange Bolt, M6×12	法兰螺栓M6×12	2	
6	PMZ50-4J-D-006 GB/T6177.1-M6	Flange Nut, M6	法兰螺母M6	2	

图 5		Model	JONWAY 50QT-6
Draft 5		Part No.	YY50QT05000



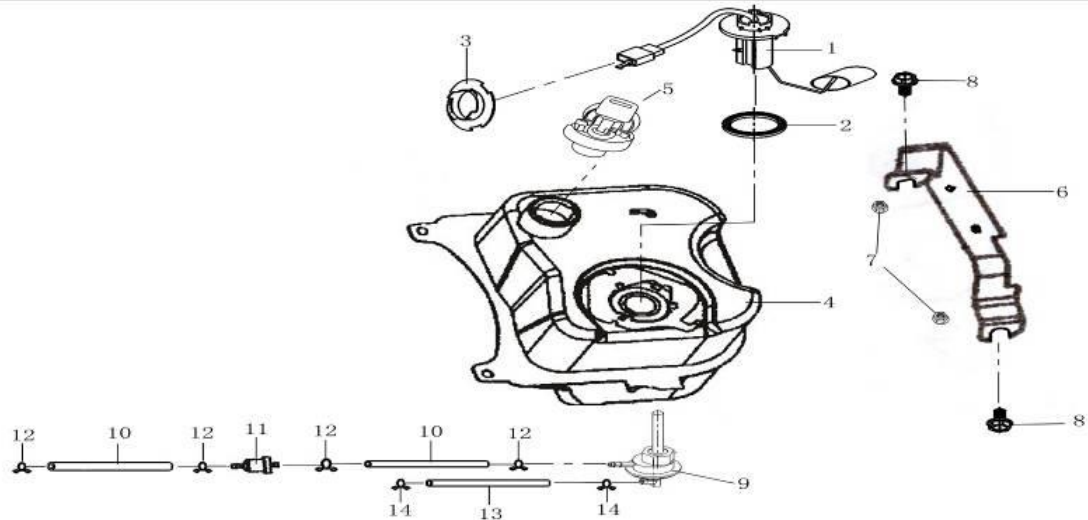
NO.	Part NO.	Description	Chinese Name	QTY
1	PMZ50-4J-E-001 YY50QT005001	Handle Comp	方向把	1
2	PMZ50-4J-E-002 GB/T6187.1-M10	Flange Lock Nut, M10	法兰锁紧螺母M10	1
3	PMZ50-4J-E-003 GB/T5789-M10×45	Flange Bolt, M10×45	法兰螺栓M10×45	1
4	PMZ50-4J-E-004 YY50QT005002	Case, Front Turning I	挡风罩(前转向灯安装壳)	1
5	PMZ50-4J-E-005 YY50QT005003	Case, Meter	仪表壳	1
6	PMZ50-4J-E-006 GB/T845-ST4.2×16	Screw, Tapping ST4.2	自攻螺钉ST4.2×16	4
7	PMZ50-4J-E-007 GB/T818-M5×16	Bolt, M5×16	十字盘头螺钉M5×16	2

图 6		Model	JONWAY 50QT-6
Draft 6		Part No.	YY50QT06000



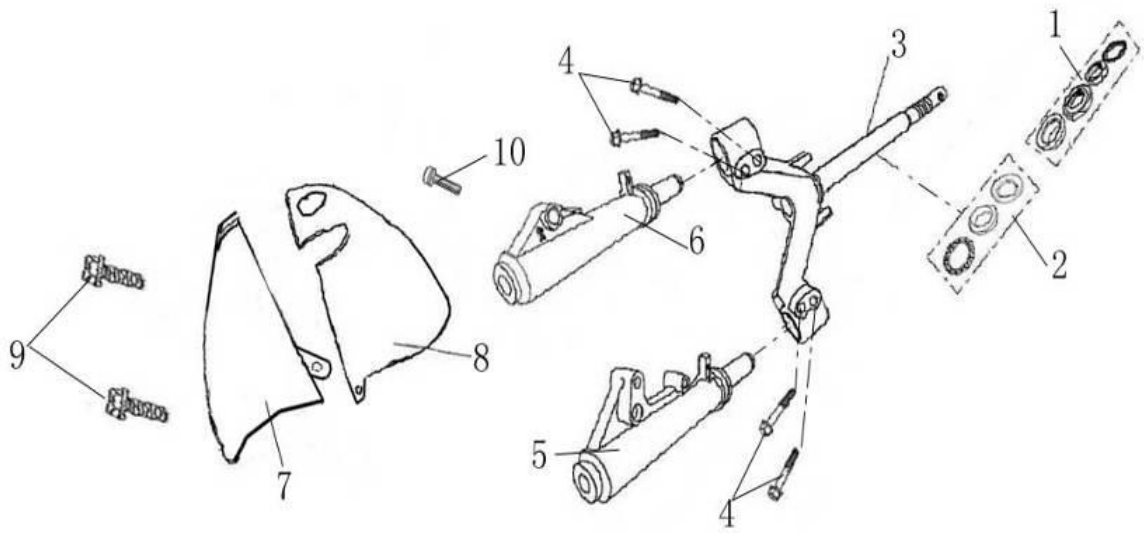
NO.	Part NO.	Description	Chinese Name	QTY
1	PMZ50-4J-F-001 YY50QT006001	Holder, Throttle at Ri	油门固定座	1
2	PMZ50-4J-F-002 YY50QT006002	Rear Holder, Throttle	油门固定块	1
3	PMZ50-4J-F-003 GB/T818-M5×25	Screw, M5×25	十字盘头螺钉M5×25	2
4	PMZ50-4J-F-004 YY50QT006003	Rubber Grip, R. Hand	右把手套 (油门转把)	1
5	PMZ50-4J-F-005 YY50QT006004	Throttle Cable	油门线	1
6	PMZ50-4J-F-006 YY50QT006005	Rubber Grip, L. Hand	左把手套	1
7	PMZ50-4J-F-007 YY50QT006006	Rear View Mirror, L.	左后视镜组件	1
8	PMZ50-4J-F-008 YY50QT006007	Rear View Mirror, R.	右后视镜组件	1
9	PMZ50-4J-F-009 YY50QT006008	Rubber Cover, Rear V	后视镜防水胶套	2
10	PMZ50-4J-F-010 GB/T6177.1-M8	Flange Nut, M8	法兰螺母M8	2
11	PMZ50-4J-F-011 YY50QT006009	Electric Start Switch	电起动开关	1
12	PMZ50-4J-F-012 YY50QT006010	Headlight Switch	大灯开关	1
13	PMZ50-4J-F-013 YY50QT006011	Horn Switch	喇叭开关	1
14	PMZ50-4J-F-014 YY50QT006012	Turning Light Switch	转向开关	1
15	PMZ50-4J-F-015 YY50QT006013	Dimmer Switch	变灯开关	1

图 7		Model	JONWAY 50QT-6
Draft 7		Part No.	YY50QT07000



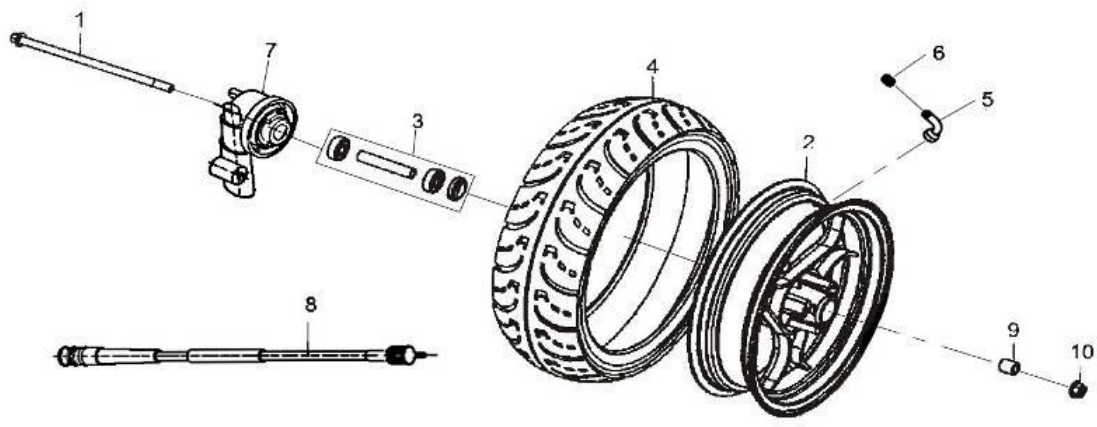
NO.	Part NO.	Description	Chinese Name	QTY
1	PMZ50-4J-G-001 YY50QT007001	Fuel Level Sensor	汽油传感器	1
2	PMZ50-4J-G-002 YY50QT007002	Oil Seal Gasket for Sensor	传感器油封	1
3	PMZ50-4J-G-003 YY50QT007003	Block Cap, Sensor	传感器压板	1
4	PMZ50-4J-G-004 YY50QT007004	Fuel Tank Assy	油箱	1
5	PMZ50-4J-G-005 YY50QT007005	Cap Assy, Fuel Tank	油箱锁盖	1
6	PMZ50-4J-G-006 YY50QT007006	Block Holder, Fuel Tank	油箱压板	1
7	PMZ50-4J-G-007 GB/T6177.1-M6	Flange Nut, M6	法兰螺母M6	2
8	PMZ50-4J-G-008 GB/T5789-M6×12	Bolt, M6×12	法兰螺栓M6×12	2
9	PMZ50-4J-G-009 YY50QT007007	Fuel Valve Assy	油箱开关	1
10	PMZ50-4J-G-010 YY50QT007008	Fuel Tube	汽油管	米
11	PMZ50-4J-G-011 YY50QT007009	Fuel Filter	过滤器	1
12	PMZ50-4J-G-012 YY50QT007010	Clip, Fuel Tube φ5	油管卡簧φ 5	4
13	PMZ50-4J-G-013 YY50QT007011	Vacuum Air Tube	负压管	米
14	PMZ50-4J-G-014 YY50QT007012	Clip, Fuel Tube φ4	油管卡簧φ 4	2

图 8		Model	JONWAY 50QT-6
Draft 8		Part No.	YY50QT08000



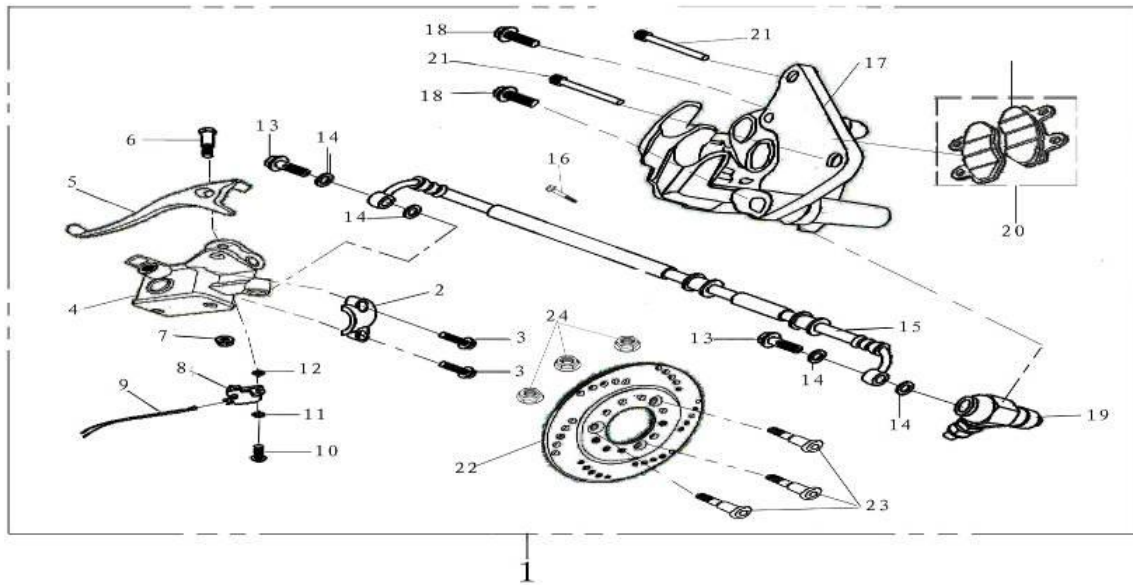
NO.	Part NO.	Description	Chinese Name	QTY
1	PMZ50-4J-H-001	Top Protrude, Steel B	上钢碗全套	1
2	PMZ50-4J-H-002	Bottom Concave, Stee	下钢碗全套	1
3	PMZ50-4J-H-003	Lower Bridge Assy, S	下联板	1
4	PMZ50-4J-H-004	Bolt, M8×40	法兰螺栓M8×40	4
5	PMZ50-4J-H-005	L. Front Shock Absor	前左减震器	1
6	PMZ50-4J-H-006	R. Front Shock Absor	前右减震器	1
7	PMZ50-4J-H-007	Front, Front Mudguar	前轮泥板前部	1
8	PMZ50-4J-H-008	Rear, Front Mudguar	前轮泥板后部	1
9	PMZ50-4J-H-009	Flange Bolt, M6×16	法兰螺栓M6×16	2
10	PMZ50-4J-H-010	Screw with Washer, M	带垫圈螺钉M5×16	1

图 9		Model	JONWAY 50QT-6
Draft 9		Part No.	YY50QT09000



NO.	Part NO.	Description	Chinese Name	QTY
1	PMZ50-4J-I-001 YY50QT009001	Axle, Front Wheel, M10×190	前轮轴M10×190	1
2	PMZ50-4J-I-002 YY50QT009002	Rim, Front Wheel	前轮辋	1
3	PMZ50-4J-I-003 YY50QT009003	Separate Collar Set, Front Wheel	前轮轴隔套组件	1
4	PMZ50-4J-I-004 YY50QT009004	Tyre, Front Wheel 3.5	前轮胎	1
5	PMZ50-4J-I-005 YY50QT009004	Tubeless Valve	气门嘴	1
6	PMZ50-4J-I-006 YY50QT009005	Cap, Tubeless Valve	气门嘴盖	1
7	PMZ50-4J-I-007 YY50QT009006	Count Gear Box, Odometer	传动器(车速里程计数器)	1
8	PMZ50-4J-I-008 YY50QT009008	Cable, Odometer	里程表线	1
9	PMZ50-4J-I-009 YY50QT009009	Collar, φ10×φ20×19	衬套φ 10×φ20×19	1
10	PMZ50-4J-I-010 GB/T6187.1-M10	Flange Lock Nut, M10	法兰锁紧螺母M10	1

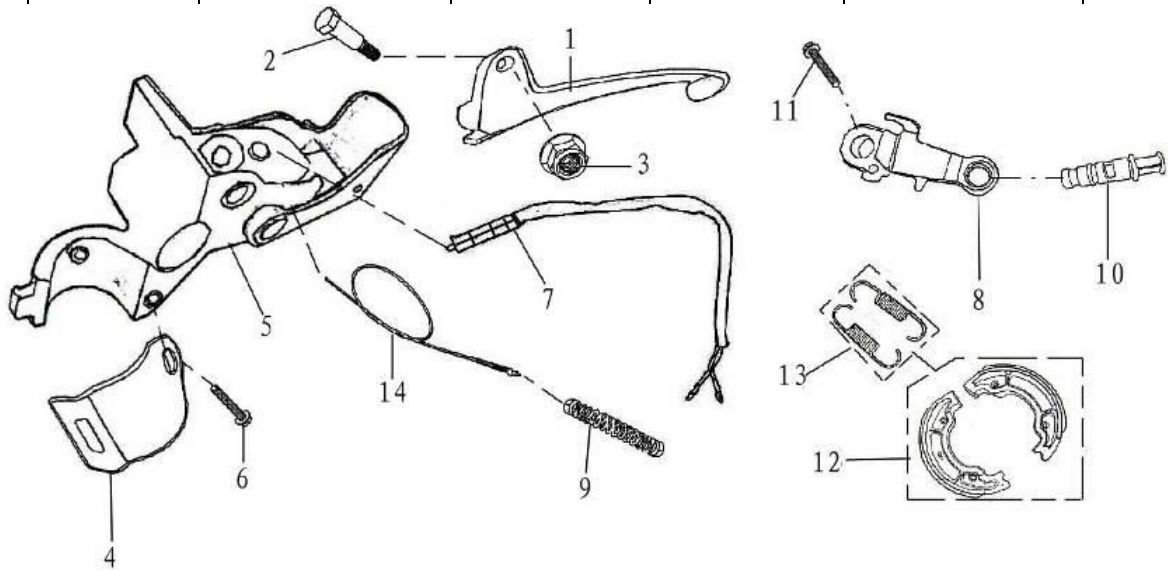
图 10		Model	JONWAY 50QT-6
Draft 10		Part No.	YY50QT10000



NO.	Part NO.	Description	Chinese Name	QTY
1	PMZ50-4J-J-001	Front Hydraulic Brake	前制动器总成	1
2	PMZ50-4J-J-002	Cap, Front Hydraulic	上泵压块	1
3	PMZ50-4J-J-003	Bolt, M6×22	法兰螺栓M6×22	2
4	PMZ50-4J-J-004	Front Hydraulic Cylin	前刹上泵	1
5	PMZ50-4J-J-005	Lever, Right Handle	前制动手柄	1
6	PMZ50-4J-J-006	Bolt, Front Brake Lev	手柄螺栓	1
7	PMZ50-4J-J-007	Flange Lock Nut, M6	法兰锁紧螺母M6	1
8	PMZ50-4J-J-008	Switch, Front Brake	前刹车开关	1
9	PMZ50-4J-J-009	Wire Cable, Front Bra	前刹车开关线	1
10	PMZ50-4J-J-010	Screw, M4×12	十字盘头螺钉M4×12	1
11	PMZ50-4J-J-011	Plain Washer, φ4	平垫圈φ4	1
12	PMZ50-4J-J-012	Spring Washer, φ4	φ4弹簧垫圈	1
13	PMZ50-4J-J-013	Connect Bolt, Hose, F	油管连接螺栓	2
14	PMZ50-4J-J-014	Copper Washer	铜垫片	4
15	PMZ50-4J-J-015	Hydraulic Hose, Fron	液压油管	1
16	PMZ50-4J-J-016	Bolt, M6×16	法兰螺栓M6×16	1
17	PMZ50-4J-J-017	Caliper Comp, Front	前刹下泵	1
18	PMZ50-4J-J-018	Bolt, M8×30	法兰螺栓M8×30	2
19	PMZ50-4J-J-019	ABS Assy	ABS组件	1
20	PMZ50-4J-J-020	Brake Plate Assy, Fro	摩擦片组件	1
21	PMZ50-4J-J-021	Bolt, Brake Plate Ass	摩擦片固定螺栓	2
22	PMZ50-4J-J-022	Brake Disc. Assy, Frc	前制动盘	1
23	PMZ50-4J-J-023	Inner Hex Bolt, M8×25	内六角螺栓M8×25	3
24	PMZ50-4J-J-024	Flange Lock Nut, M8	法兰锁紧螺母M8	3

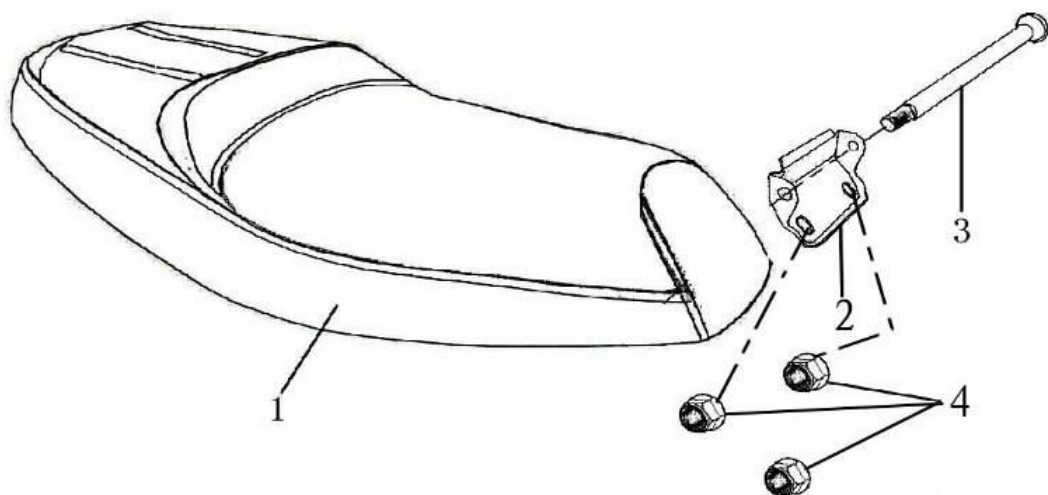
图 11		Model	JONWAY 50QT-6	
Draft 11		Part No.	YY50QT11000	
NO.	Part NO.	Description	Chinese Name	QTY
1	PMZ50-4J-K-001 YY50QT011001	Rim, Rear Wheel	后轮辋	1
2	PMZ50-4J-K-002 YY50QT011002	Tyre, Rear Wheel 3.5	后轮胎	1
3	PMZ50-4J-K-003 YY50QT011003	Tubeless Valve	气门嘴	1
4	PMZ50-4J-K-004 YY50QT011004	Cap, Tubeless Valve	气门嘴盖	1
5	PMZ50-4J-K-005 GB/T6187.1-M16	Flange Lock Nut, M16	法兰锁紧螺母M16	1

图 12		Model	JONWAY 50QT-6
Draft 12		Part No.	YY50QT12000



NO.	Part NO.	Description	Chinese Name	QTY
1	PMZ50-4J-L-001 YY50QT012001	Rear Brake Lever	后制动手柄	1
2	PMZ50-4J-L-002 YY50QT012002	Bolt, Rear Brake Lever	后制动手柄固定螺钉	1
3	PMZ50-4J-L-003 GB/T6187.1-M6	Flange Lock Nut, M6	法兰锁紧螺母M6	1
4	PMZ50-4J-L-004 YY50QT012003	Fixing Plate, Rear Brake	后制动手柄固定压块	1
5	PMZ50-4J-L-005 YY50QT012004	Holder Assy, Rear Brake	后制动手柄固定块	1
6	PMZ50-4J-L-006 GB/T5787-M6×16	Bolt, M6×16	螺栓M6×16	1
7	PMZ50-4J-L-007 YY50QT012005	Switch, Rear Brake	后刹车开关组件	1
8	PMZ50-4J-L-008 YY50QT012006	Rocker Arm, Rear Brake	刹车摇臂	1
9	PMZ50-4J-L-009 YY50QT012007	Return Spring, Rear Brake	刹车线回位弹簧	1
10	PMZ50-4J-L-010 YY50QT012008	Camshaft, Rear Brake	刹车摇臂轴	1
11	PMZ50-4J-L-011 GB/T5789-M6×35	Flange Bolt, M6×35	法兰螺栓M6×35	1
12	PMZ50-4J-L-012 YY50QT012009	Brake Shoes Set, Rear Brake	刹车蹄块	2
13	PMZ50-4J-L-013 YY50QT012010	Return Spring, Brake	蹄块回位弹簧	2
14	PMZ50-4J-L-014 YY50QT012011	Cable, Rear Brake	后制动拉索	1

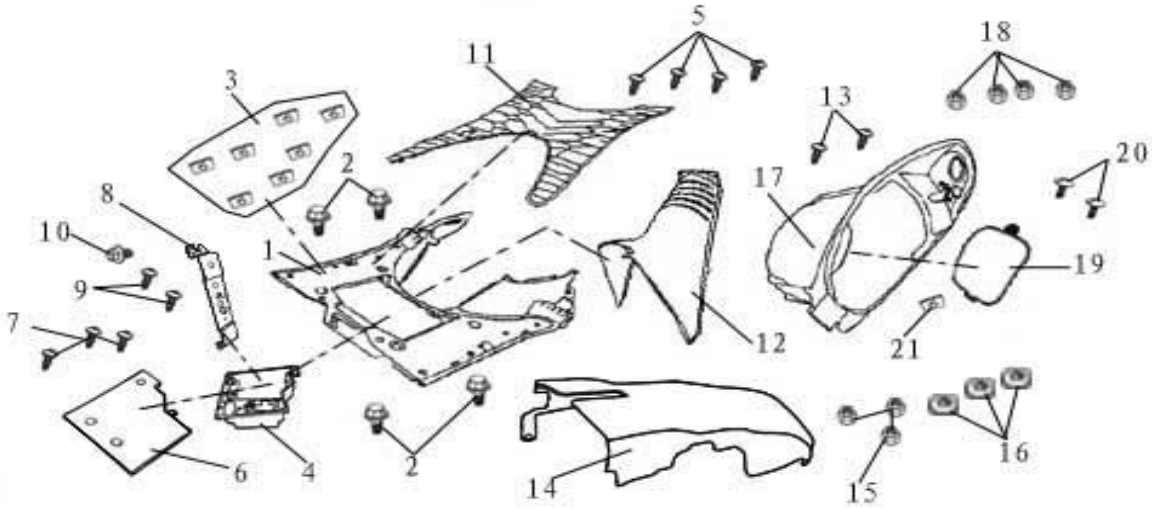
图 13		Model	JONWAY 50QT-6
Draft 13		Part No.	YY50QT13000



NO.	Part NO.	Description	Chinese Name	QTY
1	PMZ50-4J-M-001 YY50QT013001	Seat Assy	座垫	1
2	PMZ50-4J-M-002 YY50QT013002	Rocker Arm, Seat	座垫摇臂	1
3	PMZ50-4J-M-003 YY50QT013003	Rocker Arm Axle	座垫摇臂轴	1
4	PMZ50-4J-M-004 GB/T6177.1-M6	Nut, M6	螺母M6	3

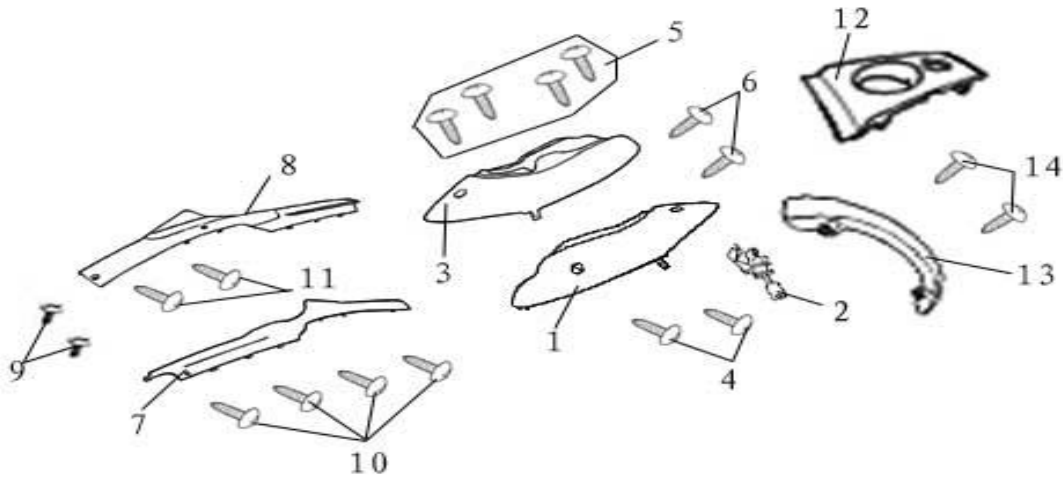
图 14		Model	JONWAY 50QT-6		
Draft 14		Part No.	YY50QT14000		
NO.	Part NO.	Description	Chinese Name	QTY	
1	PMZ50-4J-N-001	YY50QT014001	Front Cover	前面罩	1
2	PMZ50-4J-N-002	YY50QT014002	Decorating Small Cover	前面罩小盖	1
3	PMZ50-4J-N-003	GB/T845-ST4.2×12	Screw, Tapping ST4.2	自攻螺钉ST4.2×12	3
4	PMZ50-4J-N-004	YY50QT014003	Front Shield	前护条	1
5	PMZ50-4J-N-005	YY50QT014004	Upper, Front Luggage	工具箱上部	1
6	PMZ50-4J-N-006	GB/T845-ST4.2×12	Screw, Tapping ST4.2	自攻螺钉ST4.2×12	4
7	PMZ50-4J-N-007	GB/T845-ST4.2×16	Screw, Tapping ST4.2	自攻螺钉ST4.2×16	2
8	PMZ50-4J-N-008	YY50QT014005	Lower, Front Luggage	工具箱下部	1
9	PMZ50-4J-N-009	GB/T845-ST4.2×16	Screw, Tapping ST4.2	自攻螺钉ST4.2×16	6
10	PMZ50-4J-N-010	YY50QT014006	Hook, Helmet	头盔挂钩	1
11	PMZ50-4J-N-011	GB/T5789-M6×16	Flange Bolt, M6×16	法兰螺栓M6×16	1
12	PMZ50-4J-N-012	GB/T6177.1-M6	Nut, M6	螺母M6	1
13	PMZ50-4J-N-013	GB/T95-φ 12	Plain Washer, φ12	平垫圈φ 12	1
14	PMZ50-4J-N-014	YY50QT014007	Cover, Chassis No.	号码盖	1

图 15		Model	JONWAY 50QT-6
Draft 15		Part No.	YY50QT12500



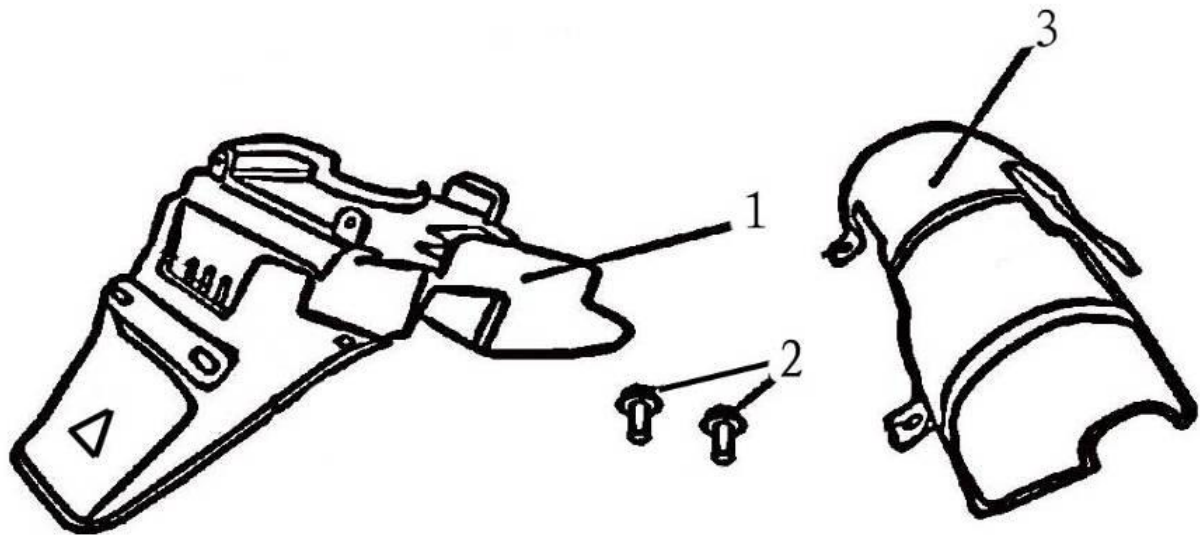
NO.	Part NO.	Description	Chinese Name	QTY
1	PMZ50-4J-0-001 YY50QT015001	Footrest Base Panel	脚踏底板	1
2	PMZ50-4J-0-002 YY50QT015002	Screw with Washer, M6x16	带垫圈螺钉M6x16	4
3	PMZ50-4J-0-003 YY50QT015003	Clamp, 4.2mm	夹片4.2mm	8
4	PMZ50-4J-0-004 YY50QT015004	Box, Battery	电瓶盒	1
5	PMZ50-4J-0-005 GB/T845-ST4.8x16	Screw, Tapping ST4.8x16	自攻螺钉ST4.8x16	4
6	PMZ50-4J-0-006 YY50QT015005	Cover, Battery	电瓶盖	1
7	PMZ50-4J-0-007 GB/T845-ST4.2x16	Screw, Tapping ST4.2x16	自攻螺钉ST4.2x16	3
8	PMZ50-4J-0-008 YY50QT015006	Fixing Strip, Battery	电瓶压条	1
9	PMZ50-4J-0-009 GB/T845-ST4.2x12	Screw, Tapping ST4.2x12	自攻螺钉ST4.2x12	2
10	PMZ50-4J-0-010 GB/T5789-M6x12	Flange Bolt, M6x12	法兰螺栓M6x12	1
11	PMZ50-4J-0-011 YY50QT015007	Rubber Mat	脚踏皮	1
12	PMZ50-4J-0-012 YY50QT015008	Front Cover, Luggage	杂物箱前罩	1
13	PMZ50-4J-0-013 GB/T845-ST4.8x16	Screw, Tapping ST4.8x16	自攻螺钉ST4.8x16	2
14	PMZ50-4J-0-014 YY50QT015009	Fender, Frame	车架挡泥板	1
15	PMZ50-4J-0-015 GB/T95-M6	Flange Nut, M6	法兰螺母M6	3
16	PMZ50-4J-0-016 GB/T6177.1-φ6	Plain Washer, φ6	平垫圈φ 6	3
17	PMZ50-4J-0-017 YY50QT015010	Luggage Cabinet	杂物箱	1
18	PMZ50-4J-0-018 GB/T95-M6	Flange Nut, M6	法兰螺母M6	4
19	PMZ50-4J-0-019 YY50QT015011	Inside Cover, Luggage	杂物箱内盖	1
20	PMZ50-4J-0-020 YY50QT015012	Screw, M6x16	大扁头M6x16	2
21	PMZ50-4J-0-021 YY50QT015013	Clamp, M6	夹片M6	1

图 16		Model	JONWAY 50QT-6
Draft 16		Part No.	YY50QT16000



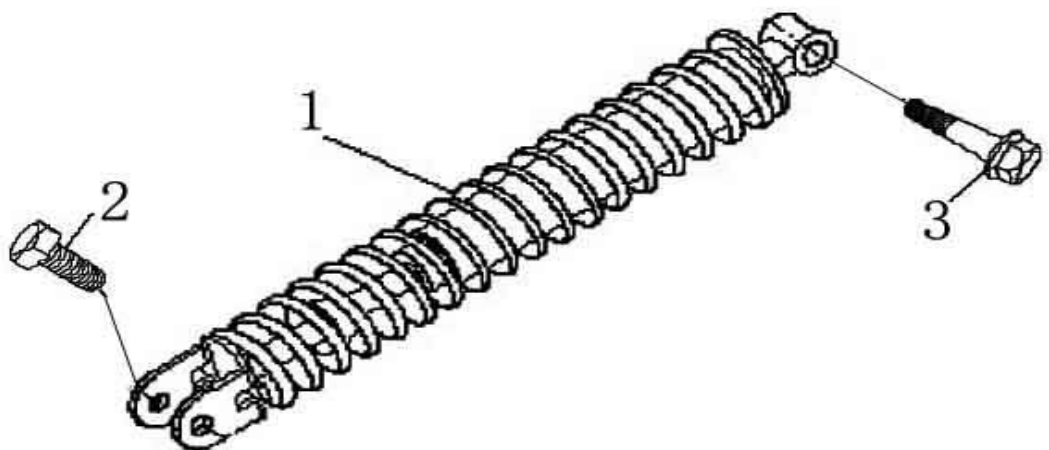
NO.	Part NO.	Description	Chinese Name	QTY
1	PMZ50-4J-P-001 YY50QT016001	L. Decorating Cover	左装饰板	1
2	PMZ50-4J-P-002 YY50QT016002	Lock Assy, Seat	座垫锁(套锁里)	1
3	PMZ50-4J-P-003 YY50QT016003	R. Decorating Cover	右装饰板	1
4	PMZ50-4J-P-004 GB/T845-ST4.2×16	Screw, Tapping ST4.2	自攻螺钉ST4.2×16	2
5	PMZ50-4J-P-005 GB/T845-ST4.2×12	Screw, Tapping ST4.2	自攻螺钉ST4.2×12	4
6	PMZ50-4J-P-006 GB/T845-ST4.8×16	Screw, Tapping ST4.8	自攻螺钉ST4.8×16	2
7	PMZ50-4J-P-007 YY50QT016004	Left Shield	左护条	1
8	PMZ50-4J-P-008 YY50QT016005	Right Shield	右护条	1
9	PMZ50-4J-P-009 YY50QT016006	Screw, M6×16	大扁头螺钉M6×16	2
10	PMZ50-4J-P-010 GB/T845-ST4.8×16	Screw, Tapping ST4.8	自攻螺钉ST4.8×16	4
11	PMZ50-4J-P-011 GB/T845-ST4.2×12	Screw, Tapping ST4.2	自攻螺钉ST4.2×12	2
12	PMZ50-4J-P-012 YY50QT016006	Rear Central Decorati	后装饰板	1
13	PMZ50-4J-P-013 YY50QT016007	Rear Shield	后护条	1
14	PMZ50-4J-P-014 GB/T845-ST4.2×12	Screw, Tapping ST4.2	自攻螺钉ST4.2×12	2

图 17		Model	JONWAY 50QT-6
Draft 17		Part No.	YY50QT17000



NO.	Part NO.	Description	Chinese Name	QTY
1	PMZ50-4J-Q-001 YY50QT017001	Rear Fender	后泥板	1
2	PMZ50-4J-Q-002 GB/T5789-M6×12	Flange Bolt, M6×12	法兰螺栓M6×12	2
3	PMZ50-4J-Q-003 YY50QT017002	Rear Mudguard, Rear	后轮挡泥板	1

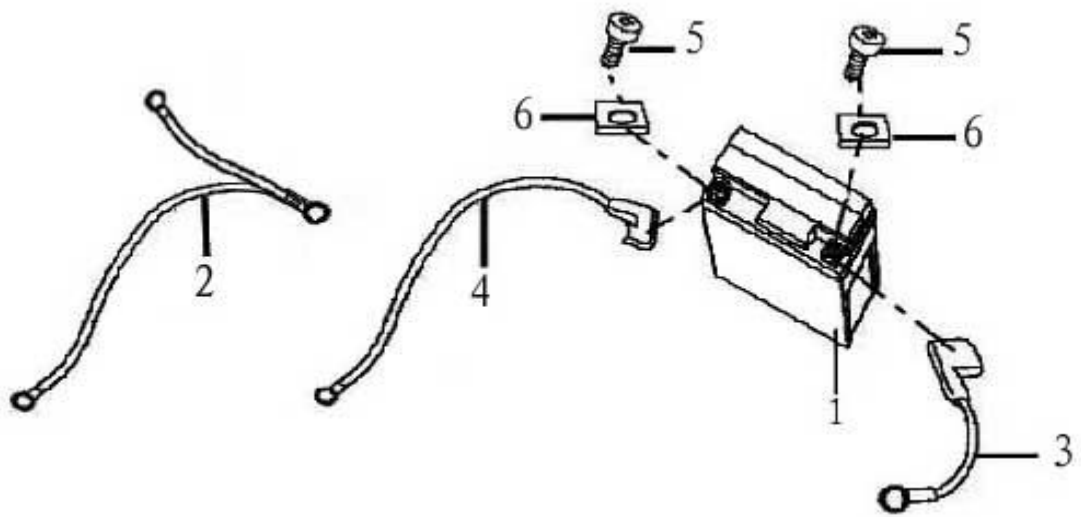
图 18		Model	JONWAY 50QT-6
Draft 18		Part No.	YY50QT18000



NO.	Part NO.	Description	Chinese Name	QTY
1	PMZ50-4J-R-001 YY50QT018001	Rear Shock Absorber	后减震器	1
2	PMZ50-4J-R-002 GB/T5780-M8×32	Hex Bolt, M10×32	六角头螺栓M8×32	1
3	PMZ50-4J-R-003 GB/T5789-M10×70	Bolt, M10×70	法兰螺栓M10×70	1

图 19		Model	JONWAY 50QT-6		
Draft 19		Part No.	YY50QT19000		
NO.	Part NO.	Description	Chinese Name	QTY	
1	PMZ50-4J-S-001	YY50QT019001	Wire Harness	主电缆	1
2	PMZ50-4J-S-002	YY50QT019002	Horn	喇叭	1
3	PMZ50-4J-S-003	YYPT50019003	Winker Relay	闪光器	1
4	PMZ50-4J-S-004	YYPT50019004	Fuse Box	保险盒	1
5	PMZ50-4J-S-005	YYPT50019005	Fuse 7A	保险丝	2
6	PMZ50-4J-S-006	YYPT50019006	Strip Set	扎带	8
7	PMZ50-4J-S-007	YYPT50019007	Discharge Resistance	泄流电阻	1
8	PMZ50-4J-S-008	GB/T6177.1-M6	Flange Nut, M6	法兰螺母M6	1
9	PMZ50-4J-S-009	YY50QT019007	Ignition Switch	点火开关组件	1
10	PMZ50-4J-S-010	YY50QT019008	Lock Set	套锁	套

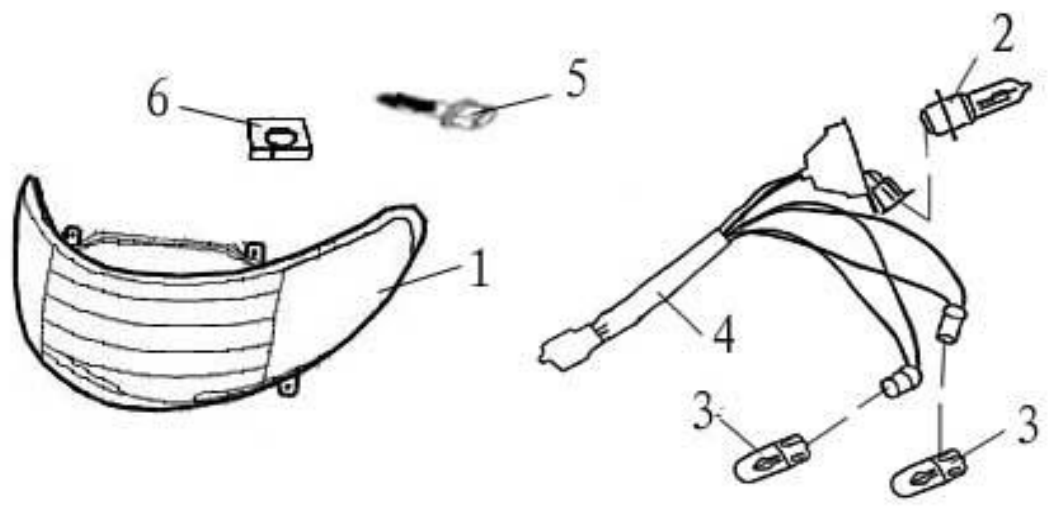
图 20		Model	JONWAY 50QT-6
Draft 20		Part No.	YY50QT20000



NO.	Part NO.	Description	Chinese Name	QTY
1	PMZ50-4J-T-001 YY50QT020001	Battery 12V7AH	蓄电池12V7AH	1
2	PMZ50-4J-T-002 YY50QT020002	Cable Assy	正负极线组合(马达线)	1
3	PMZ50-4J-T-003 YY50QT020003	Cable, Positive Pole	正极线	1
4	PMZ50-4J-T-004 YY50QT020004	Cable, Grounding	负极线	1

图 21		Model	JONWAY 50QT-6	
Draft 21		Part No.	YY50QT21000	
NO.	Part NO.	Description	Chinese Name	QTY
1	PMZ50-4J-U-001 YY50QT021001	Meter Assy	仪表	1
2	PMZ50-4J-U-002 YY50QT021002	Wire Cable, Meter	仪表(副)电缆	1
3	PMZ50-4J-U-003 YY50QT021003	Bulb, Meter Light 12V	仪表灯灯泡12V3W	4
4	PMZ50-4J-U-004 GB/T845-ST4.2×12	Screw, Tapping ST4.2	自攻螺钉ST4.2×12	2

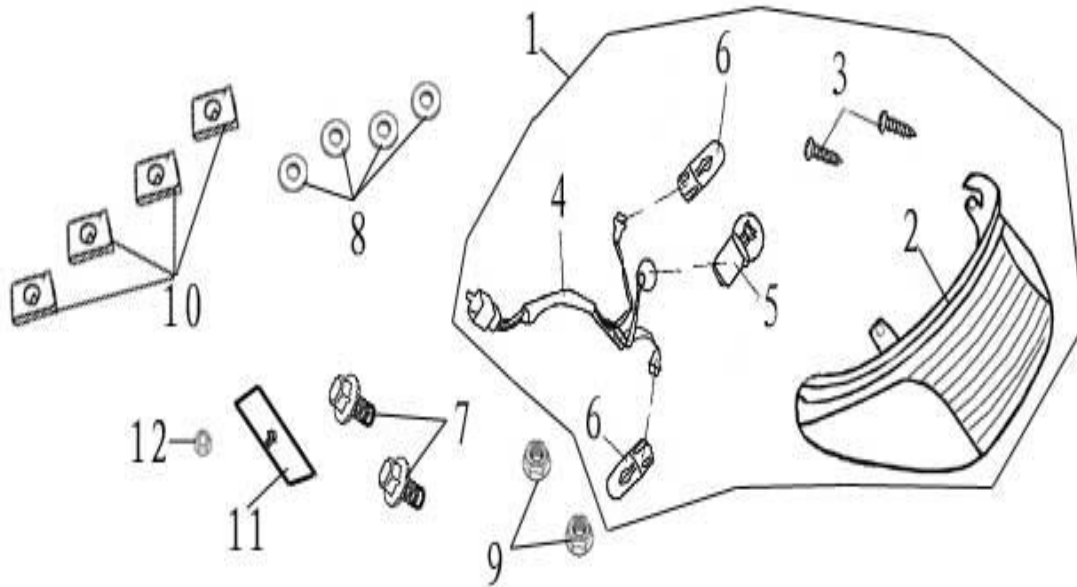
图 22		Model	JONWAY 50QT-6
Draft 22		Part No.	YY50QT22000



NO.	Part NO.	Description	Chinese Name	QTY
		Headlight	前大灯总成	1
1	PMZ50-4J-V-001 YY50QT022001	Headlight Comp	前大灯前后壳(无灯泡,灯线)	1
2	PMZ50-4J-V-002 YY50QT022002	Bulb, Headlight 12V25/25W	大灯灯泡12V25/25W	1
3	PMZ50-4J-V-003 YY50QT022003	Bulb, Position Light 12V3W	夜小灯灯泡12V3W	2
4	PMZ50-4J-V-004 YY50QT022004	Wire Cable, Headlight	大灯线	1
5	PMZ50-4J-V-005 GB/T5789-M6×16	Flange Bolt, M6×16	法兰螺栓M6×16	1
6	PMZ50-4J-V-006 YY50QT022006	Square Nut, M6	方形螺母 M6	1

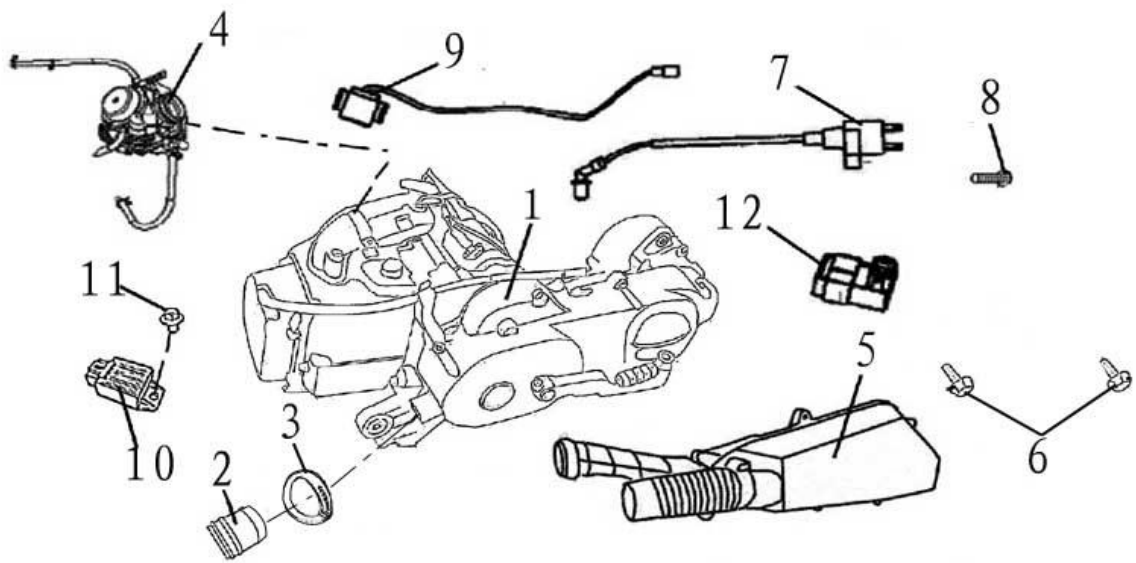
图 23		Model	JONWAY 50QT-6	
Draft 23		Part No.	YY50QT23000	
NO.	Part NO.	Description	Chinese Name	QTY
1	PMZ50-4J-W-001 YY50QT023001	L. Front Turning Light	前左转向灯	1
2	PMZ50-4J-W-002 YY50QT023002	R. Front Turning Light	前右转向灯	1
3	PMZ50-4J-W-003 YY50QT023003	Len. L. Front Turning	前左转向灯罩	1
4	PMZ50-4J-W-004 YY50QT023004	Len. R. Front Turning	前右转向灯罩	1
5	PMZ50-4J-W-005 YY50QT023005	Bulb, Front Turning L	转向灯灯泡12V10W	2
6	PMZ50-4J-W-006 YY50QT023006	Wire Cable, L. Front	前左转向灯灯线	1
7	PMZ50-4J-W-007 YY50QT023007	Wire Cable, R. Front	前右转向灯灯线	1

图 24		Model	JONWAY 50QT-6
Draft 24		Part No.	YY50QT24000



NO.	Part NO.	Description	Chinese Name	QTY
1	PMZ50-4J-X-001 YY50QT024000	Rear Light Assy	后尾灯总成	1
2	PMZ50-4J-X-002 YY50QT024001	Len, Rear Light Assy	后尾灯罩	1
3	PMZ50-4J-X-003 GB/T845-ST3.5×12	Screw, Tapping ST3.5	自攻螺钉ST3.5×12	2
4	PMZ50-4J-X-004 YY50QT024002	Wire Cable, Rear Lig	后灯线	1
5	PMZ50-4J-X-005 YY50QT024003	Bulb, Rear Light(12V	后尾灯灯泡12V5W/21W	1
6	PMZ50-4J-X-006 YY50QT024004	Bulb, Rear Turning L	后转向灯灯泡12V10W	2
7	PMZ50-4J-X-007 GB/T5789-M6×12	Flange Bolt, M6×12	法兰螺栓M6×12	2
8	PMZ50-4J-X-008 GB/T95-φ6	Plain Washer, φ6	平垫圈φ 6	4
9	PMZ50-4J-X-009 GB/T6177.1-M6	Flange Nut, M6	法兰螺母M6	2
10	PMZ50-4J-X-010 YY50QT024005	Clamp, 4.2mm	夹片4.2mm	4
11	PMZ50-4J-X-011 YY50QT024006	Rear Retro Reflecting	方型后反光片	1
12	PMZ50-4J-X-012 GB/T6177.1-M5	Nut, M5	法兰螺母M5	1

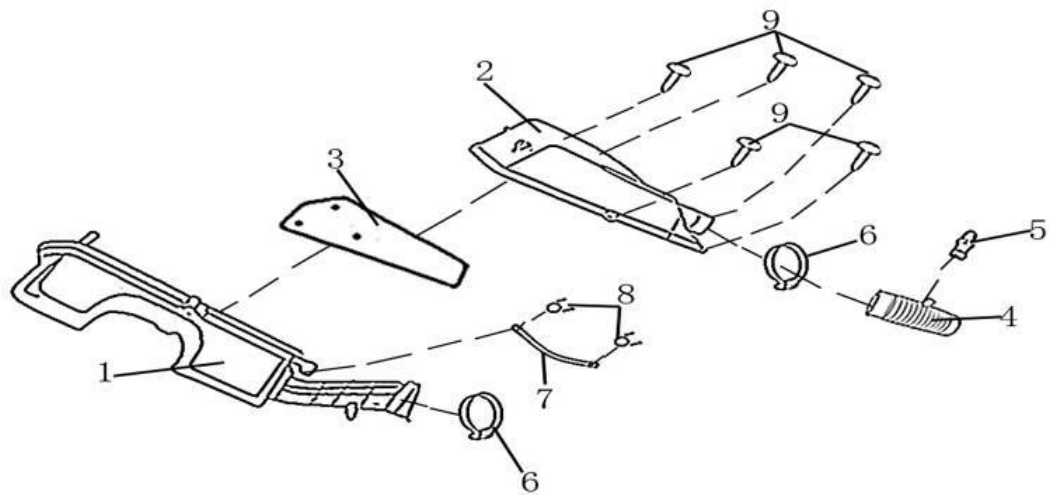
图 25		Model	JONWAY 50QT-6
Draft 25		Part No.	YY50QT25000



NO.	Part NO.	Description	Chinese Name	QTY
1	PMZ50-4J-Y-001 YY50QT025001	Engine Assy	发动机总成	1
2	PMZ50-4J-Y-002 YY50QT025002	Air Inlet Pipe	吸风管	1
3	PMZ50-4J-Y-003 YY50QT025003	Clip	卡箍	1
4	PMZ50-4J-Y-004 YY50QT025004	Carburetor Assy	化油器	1
5	PMZ50-4J-Y-005 YY50QT025005	Air Cleaner Assy	空滤器	1
6	PMZ50-4J-Y-006 GB/T5789-M6×28	Flange Bolt, M6×28	法兰螺栓M6×28	2
7	PMZ50-4J-Y-007 YYPT15025006	Ignition Coil Assy	高压包	1
8	PMZ50-4J-Y-008 GB/T818-M6×25	Screw, M6×25	十字盘头螺钉M6×25	1
9	PMZ50-4J-Y-009 YYPT15025007	Starter Relay	继电器	1
10	PMZ50-4J-Y-010 YYPT15025008	Rectifier	稳压器	1
11	PMZ50-4J-Y-011 GB/T6177.1-M6	Flange Nut, M6	法兰螺母M6	1
12	PMZ50-4J-Y-012 YYZL15025009	CDI	CDI(点火器)	1

图 26		Model	JONWAY 50QT-6	
Draft 26		Part No.	YY50QT26000	
NO.	Part NO.	Description	Chinese Name	QTY
1	PMZ50-4J-Z-001	Double Ended Screw	双头螺丝刀	1
2	PMZ50-4J-Z-002	Screw Driver Socket	起子手柄	1
3	PMZ50-4J-Z-003	Double Ended Spanner	8-10开口扳手	1
4	PMZ50-4J-Z-004	Inner Hex Spanner	内六角扳手	1
5	PMZ50-4J-Z-005	Spark Plug Socket	火花塞套筒	1
6	PMZ50-4J-Z-006	Tools Bag	工具袋	1

图 27		Model	JONWAY 50QT-6
Draft 27		Part No.	YY50QT27000



NO.	Part NO.	Description	Chinese Name	QTY
1	PMZ50-4J-AA-001 YY50QT027001	Body, Air Cleaner	空滤器体	1
2	PMZ50-4J-AA-002 YY50QT027002	Cover, Air Ceaner	空滤器盖	1
3	PMZ50-4J-AA-003 YY50QT027003	Filter Core	滤芯	1
4	PMZ50-4J-AA-004 YY50QT027004	Breather Tube	通气管	1
5	PMZ50-4J-AA-005 YY50QT027005	Joint, Breather Tube	气管接头	1
6	PMZ50-4J-AA-006 YY50QT027006	Fixing Ring	卡箍	2
7	PMZ50-4J-AA-007 YY50QT027007	Overflow Oil Tube	出油管	1
8	PMZ50-4J-AA-008 YY50QT027008	Clip	卡簧	2
9	PMZ50-4J-AA-009 GB/T845-ST4.8×16	Screw, Tapping ST4.8	自攻螺钉ST4.8×16	5