



Part No.	Description	Qty per Vehicel
PMZ50-5-A-001	Decorating parts of front Mask	1
PMZ50-5-A-002	Front Left Turing Light	1
PMZ50-5-A-003	Front Right Turing Light	1
PMZ50-5-A-004	Front Mask	1
PMZ50-5-A-005	Front Vent	1




Part No.	Description	Qty per Vehicel
PMZ50-5-B-001	License Light	1
PMZ50-5-B-002	Rear Wheel Fender	1
PMZ50-5-B-003	Side Reflector	2
PMZ50-5-B-004	Rear Reflector	1
PMZ50-5-B-005	License Bracket	1
PMZ50-5-B-006	Rear Fender	1

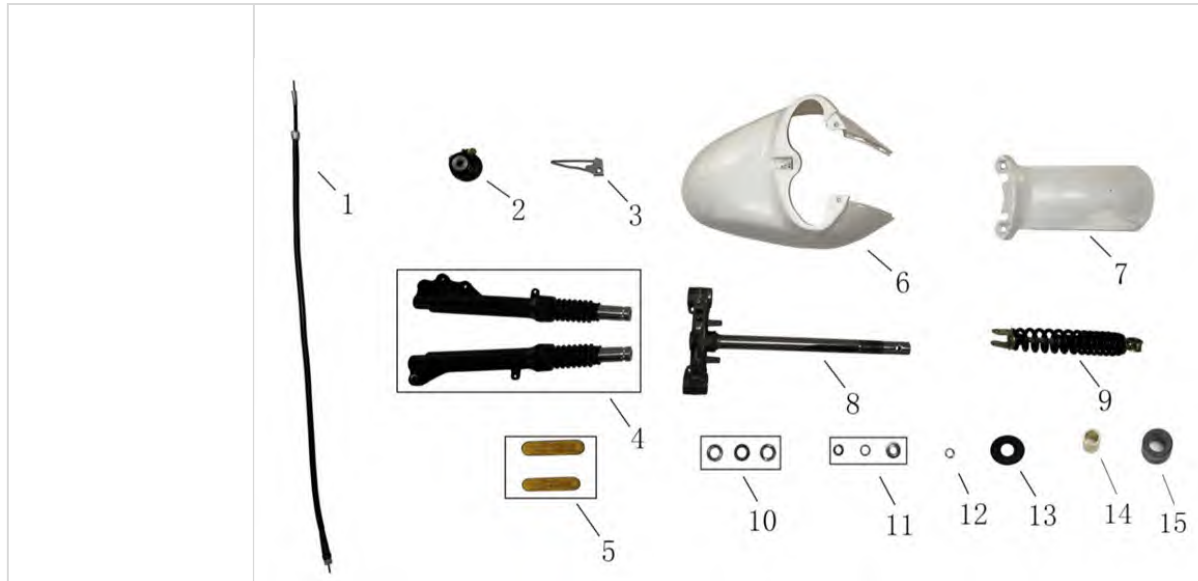


Part No.	Description	Qty per Vehicel
PMZ50-5-C-001	Front Tools box	1
PMZ50-5-C-002	Foot-floor	1
PMZ50-5-C-003	Vin cover	1
PMZ50-5-C-004	Helmet Hook	1
PMZ50-5-C-005	Battery Box	1
PMZ50-5-C-006	Battery cover	1
PMZ50-5-C-007	Tools box cover	1
PMZ50-5-C-008	Floor-mate cover	4

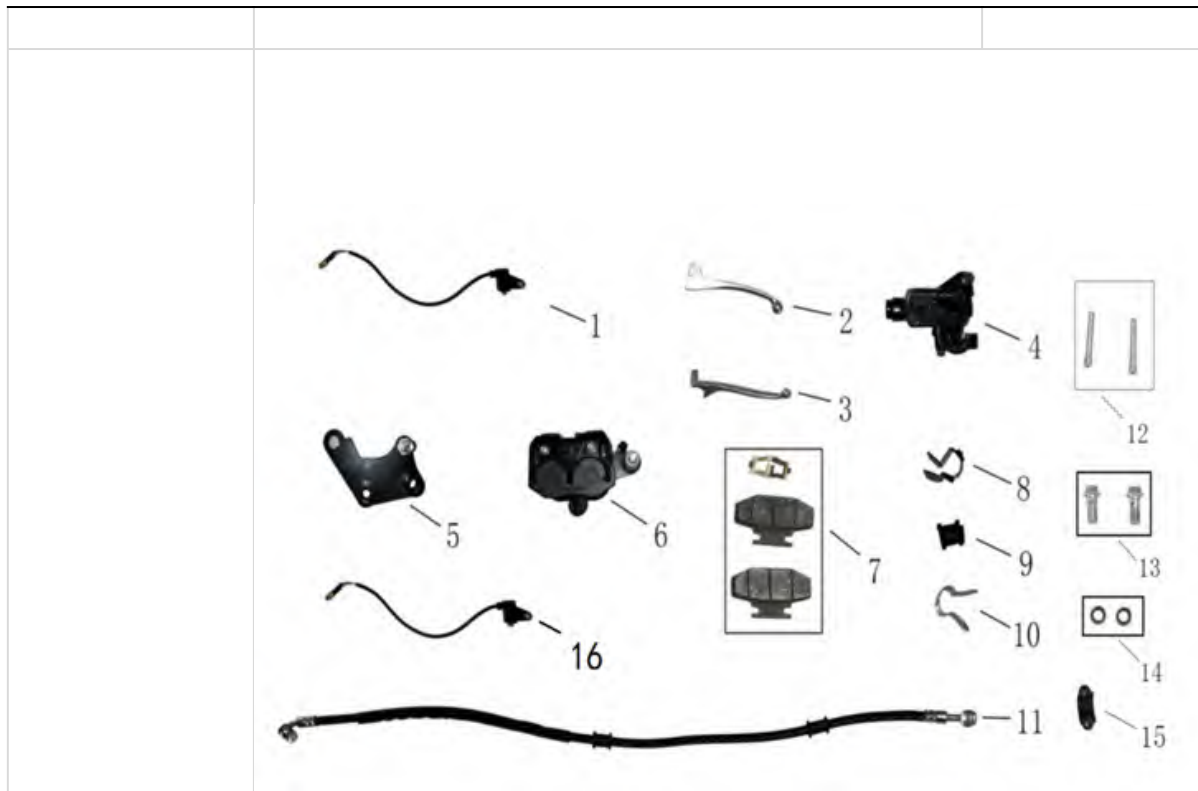


Part No.	Description	Qty per Vehicel
PMZ50-5-D-001	Luggage Box front cover	1
PMZ50-5-D-002	Left body cover	1
PMZ50-5-D-003	Right body cover	1
PMZ50-5-D-004	Rear Left Turning Light	1
PMZ50-5-D-005	Rear Body Cover	1
PMZ50-5-D-006	Rear Right Turning Light	1
PMZ50-5-D-007	Tail Light	1
PMZ50-5-D-008	Rubber Plug	1

PMZ50-5-D-009	Clip	1
		
Part No.	Description	Qty per Vehicel
PMZ50-5-E-001	Luggage Box under Seat	1
PMZ50-5-E-002	Luggage Box inner cover	1
PMZ50-5-E-003	Seat	1
PMZ50-5-E-004	Rear Carrier	1

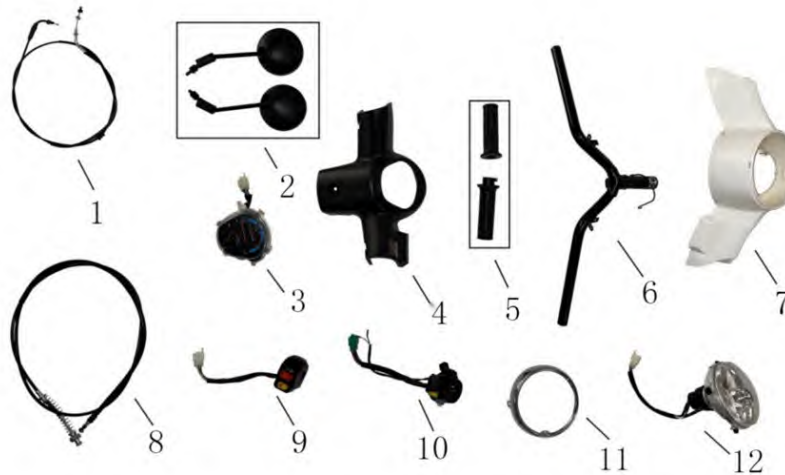


Part No.	Description	Qty per Vehicle
PMZ50-5-F-001	Speedometer Cable	1
PMZ50-5-F-002	Speed counter	1
PMZ50-5-F-003	Speedometer Cable Clip	1
PMZ50-5-F-004	Front Shock absorber	1
PMZ50-5-F-005	Side Reflector	2
PMZ50-5-F-006	Front Wheel Fender	1
PMZ50-5-F-007	Bottom Parts of Front Fender	1
PMZ50-5-F-008	Triple Tree	1
PMZ50-5-F-009	Rear Shock Absorber	1
PMZ50-5-F-010	Bottom Bearing ASSY	1
PMZ50-5-F-011	Upper Bearing ASSY	1
PMZ50-5-F-012	Lock Nut	1
PMZ50-5-F-013	Anti-dust cover	1
PMZ50-5-F-014	M10 hole, rear shock bush	1
PMZ50-5-F-015	Rubber Buffer, rear shock bush	1



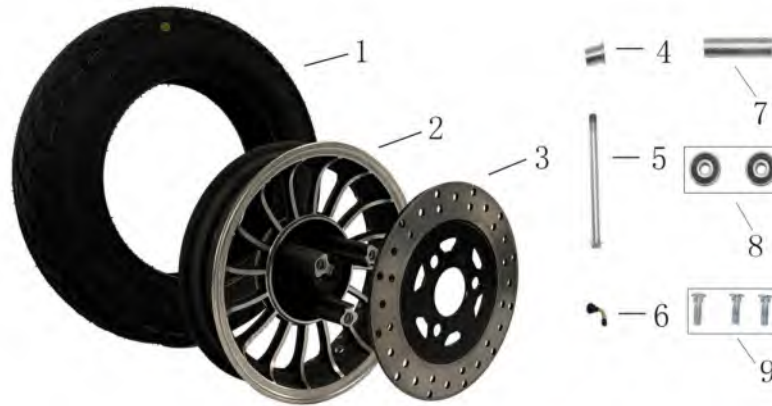
Part No.	Description	Qty per Vehicel
PMZ50-5-G-001	Brake switch rh	1
PMZ50-5-G-002	Left Brake Lever	1
PMZ50-5-G-003	Right Brake Lever	1
PMZ50-5-G-004	Brake upper Pump (master cylinder)	1
PMZ50-5-G-005	Bracket, Brake under the Pump (caliper) (sold as assembly)	1
PMZ50-5-G-006	Brake under the Pump (caliper)	1
PMZ50-5-G-007	Brake pad	1
PMZ50-5-G-008	Brake clip	1
PMZ50-5-G-009	Cable Bracket	1
PMZ50-5-G-010	Brake Cable Clip	1

PMZ50-5-G-011	Brake tube	1
PMZ50-5-G-012	Bottom Bracket pin (sold as assembly)	1
PMZ50-5-G-013	brake line Banjo bolts (sold as assembly)	2
PMZ50-5-G-014	Seal spacer (sold as assembly)	2
PMZ50-5-G-015	Brake upper Pump clamp	2
PMZ50-5-G-016	Brake upper Pump Cap (sold as assembly)	1



Part No.	Description	Qty per Vehicel
PMZ50-5-H-001	Throttle Cable	1
PMZ50-5-H-002	Left Rear Mirror	1
PMZ50-5-H-002-01	Right Rear Mirror	1
PMZ50-5-H-003	Speedometer	1
PMZ50-5-H-004	Speedometer Cover	1
PMZ50-5-H-005	Left Grip	1
PMZ50-5-H-006	Right Grip	1
PMZ50-5-H-007	Handle Bar	1
PMZ50-5-H-008	Head Cover	1
PMZ50-5-H-009	Rear Brake Cable	1

PMZ50-5-H-010	Right Switch ASSY	1
PMZ50-5-H-011	Left Switch ASSY	1
PMZ50-5-H-012	Headlight chromed cover	1
PMZ50-5-H-013	Headlight	1



Part No.	Description	Qty per Vehicle
PMZ50-5-I-001	Tire	1
PMZ50-5-I-002	Front Rim	1
PMZ50-5-I-003	Front Brake Disc	1
PMZ50-5-I-004	Wheel cushion	1
PMZ50-5-I-005	Wheel Axle	1
PMZ50-5-I-006	Valve	1
PMZ50-5-I-007	Front Wheel Liner	1
PMZ50-5-I-008	Wheel Bearing	2
PMZ50-5-I-009	Bolt	3

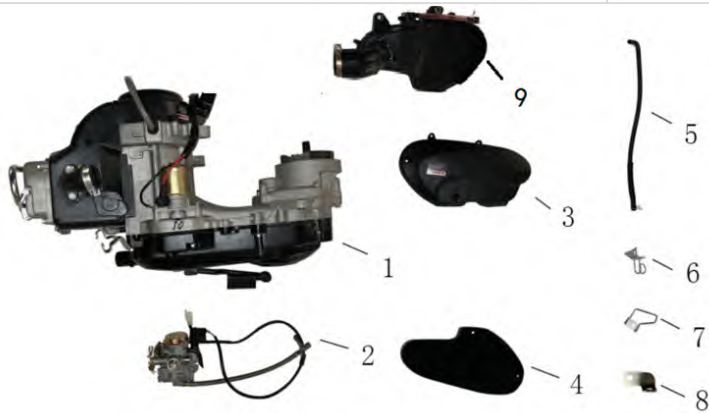


Part No.	Description	Qty per Vehicel
PMZ50-5-J-001	Rear Tire	1
PMZ50-5-J-002	Rear Rim	1
PMZ50-5-J-003	Valve	1



Part No.	Description	Qty per Vehicel
PMZ50-5-K-001	Fuel Pump	1
PMZ50-5-K-002	Fuel Filter	1

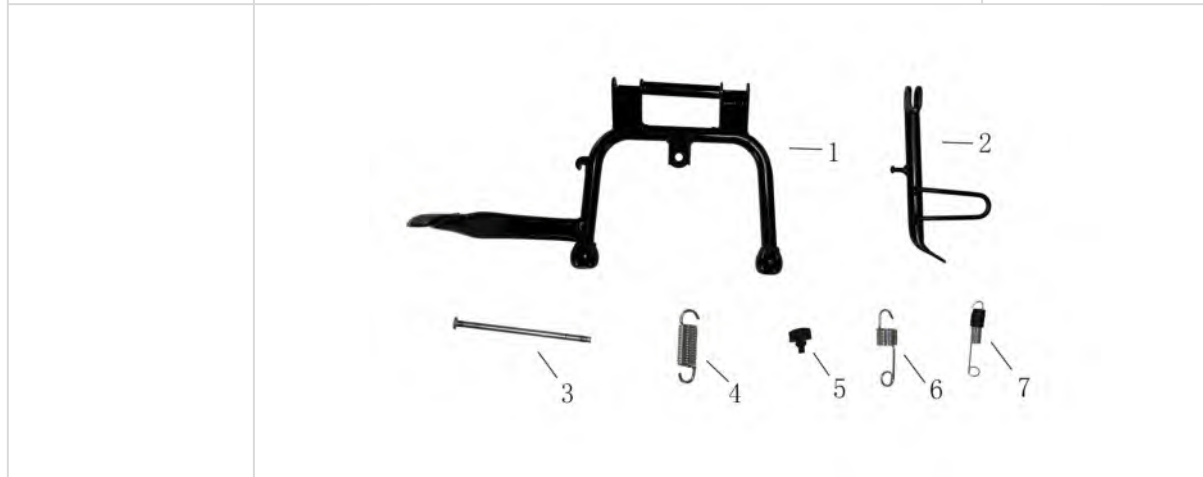
PMZ50-5-K-003	Clip 8#	6
PMZ50-5-K-004	Clip 7#	4
PMZ50-5-K-005	Fuel line	1
PMZ50-5-K-006	Fuel line	1
PMZ50-5-K-007	Fuel line	1
PMZ50-5-K-008	Fuel Tank	1
PMZ50-5-K-009	Fuel Sensor	1
PMZ50-5-K-010	Air line	1
PMZ50-5-K-011	Fuel Cap	1




Part No.	Description	Qty per Vehicel
PMZ50-5-L-001	Engine	1
PMZ50-5-L-002	Carburetor	1
PMZ50-5-L-003	Air filter Cover	1
PMZ50-5-L-004	Air Filter	1
PMZ50-5-L-005	Fuel Line	1
PMZ50-5-L-006	Bracket of Fan	1
PMZ50-5-L-007	Rear cable Clip	1
PMZ50-5-L-008	Bracket of Cable	1
PMZ50-5-L-009	Air Cleaner	1



Part No.	Description	Qty per Vehicel
PMZ50-5-M-001	Gasket of Muffler	1
PMZ50-5-M-002	Muffler cover	1
PMZ50-5-M-003	Muffler ASSY	1

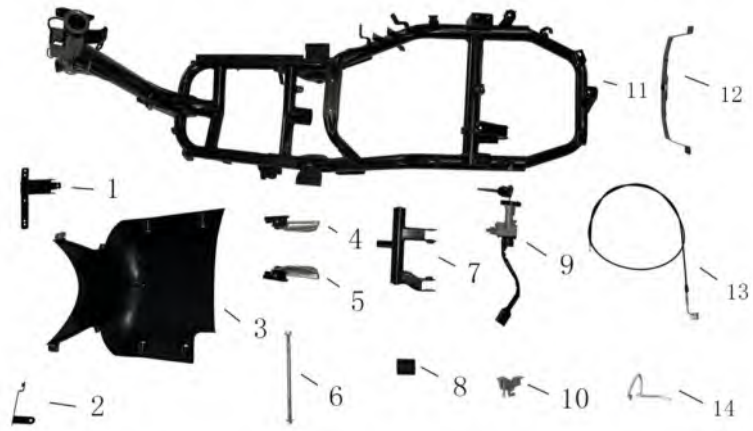


Part No.	Description	Qty per Vehicel
PMZ50-5-N-001	Main Stand	1
PMZ50-5-N-002	Side Stand	1

PMZ50-5-N-003	Axle	1
PMZ50-5-N-004	Spring of Main Stand	1
PMZ50-5-N-005	Engine Hanger Rubber Cushion	1
PMZ50-5-N-006	Spring of Side Stand	1
PMZ50-5-N-007	Inner Spring of Side Stand	1
		
Part No.	Description	Qty per Vehicel
PMZ50-5-O-001	Battery assy	1



Part No.	Description	Qty per Vehicle
PMZ50-5-P-001	Ignition Coil	1
PMZ50-5-P-002	Regulator	1
PMZ50-5-P-003	Flasher	1
PMZ50-5-P-004	CDI	1
PMZ50-5-P-005	Horn	1
PMZ50-5-P-006	Wire harness	1
PMZ50-5-P-007	Relay	1
PMZ50-5-P-008	Band	5



Part No.	Description	Qty per Vehicel
PMZ50-5-Q-001	Mask Bracket	1
PMZ50-5-Q-002	Oil Cup Bracket	1
PMZ50-5-Q-003	Frame Fender	1
PMZ50-5-Q-004	Left Footrest	1
PMZ50-5-Q-005	Right Footrest	1
PMZ50-5-Q-006	Axle	1
PMZ50-5-Q-007	Engine Hanger	1
PMZ50-5-Q-008	Engine Hanger Cushion	1
PMZ50-5-Q-009	Ignition Lock	1
PMZ50-5-Q-010	Seat Lock Bracket	1
PMZ50-5-Q-011	Frame	1
PMZ50-5-Q-012	Fuel Tank Guide	1
PMZ50-5-Q-013	Seat Lock cable	1
PMZ50-5-Q-014	Lock Hook	1



Part No.	Description	Qty per Vehicel
PMZ50-5-R-001	Manual	1
PMZ50-5-R-002	Tools bag	1
PMZ50-5-R-003	Spark Plug Socket	1
	Wrench	1
	Screw Driver	1
PMZ50-5-R-004	Alarm	1
PMZ50-5-R-005	Kick Kill Switch	1
PMZ50-5-R-006	USB	1