



PST300-20

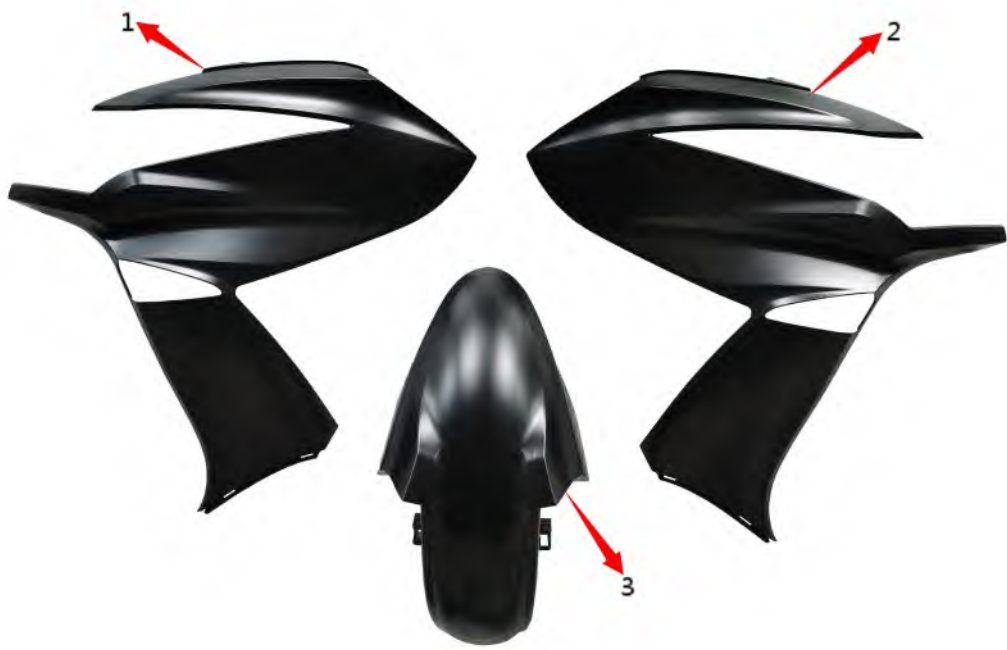
Parts No.	Description	Qty per Vehicel
-----------	-------------	-----------------



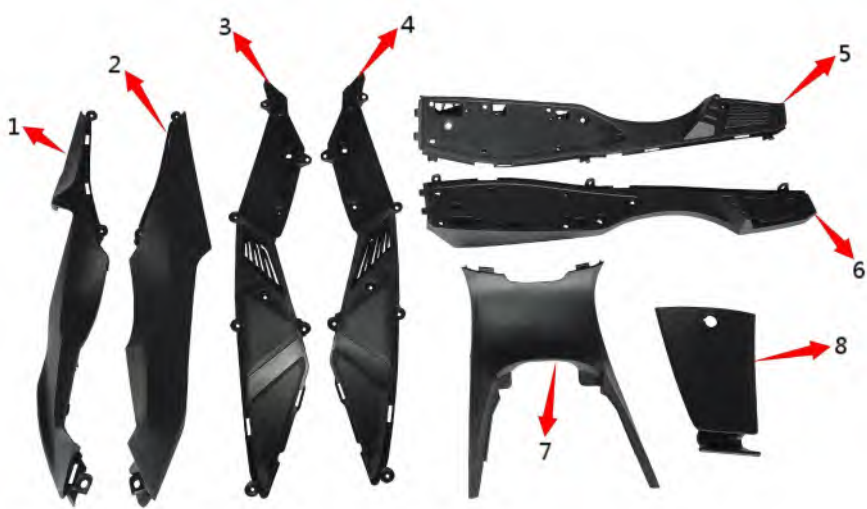
Parts No.	Description	Qty per Vehicel
PST300-20-A-001	Steering stem	1
PST300-20-A-002	Front Shock LH, RH	2
PST300-20-A-003	Seat cushion pull	1
PST300-20-A-004	Steel bowl	8
PST300-20-A-005	Key set	1
PST300-20-A-006	Front disc brake	1
PST300-20-A-007	Revolution speed sensor	1
PST300-20-A-008	Disc brake clip 1	1
PST300-20-A-009	Front axle	1
PST300-20-A-010	Disc brake clip 1	1
PST300-20-A-011	Steering stem bolt	4
PST300-20-A-012	Front wheel bushing 1	1
PST300-20-A-013	Front wheel bushing 2	1



Parts No.	Description	Qty per Vehicel
PST300-20-B-001	Headlight	1
PST300-20-B-002	Tail lamp	1
PST300-20-B-003	Front turning lights	2
PST300-20-B-004	Main wire	1
PST300-20-B-005	Speedometer	1
PST300-20-B-006	Warning switch with Bluetooth	1
PST300-20-B-007	Left horn cover	1
PST300-20-B-008	Right horn cover	1
PST300-20-B-009	License light	1
PST300-20-B-010	Horn	1
PST300-20-B-011	Smart switch	1
PST300-20-B-012	Flasher	1
PST300-20-B-013	Starting relay	1



Parts No.	Description	Qty per Vehicle
PST300-20-C-001	Front left panel	1
PST300-20-C-002	Front right panel	1
PST300-20-C-003	Front wheel fender	1



Parts No.	Description	Qty per Vehicle
PMZ50--D-001	Left foot pedal side cover decorative cover	1
PMZ50--D-002	Right foot pedal side cover decorative cover	1
PMZ50--D-003	Left guard	1
PMZ50--D-004	Right guard	1
PMZ50--D-005	Left foot pedal	1
PMZ50--D-006	Right foot pedal	1
PMZ50--D-007	Central shield	1
PMZ50--D-008	Fuel tank opening cap	1



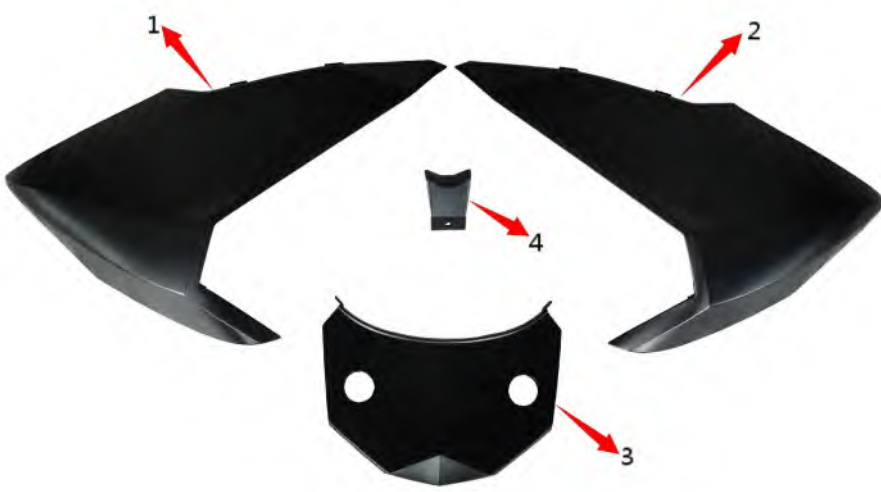
Parts No.	Description	Qty per Vehicle
PST300-20-E-001	Lower part of the toolbox	1
PST300-20-E-002	Upper part of the toolbox	1
PST300-20-E-003	Speedometer cover	1
PST300-20-E-004	Toolbox box	1
PST300-20-E-005	Toolbox cover	1
PST300-20-E-006	Left horn bottom cover	1
PST300-20-E-007	Right horn bottom cover	1
PST300-20-E-008	Cover, Chassis No.	1
PST300-20-E-009	Hook up	1
PST300-20-E-010	Toolbox small cover	1
PST300-20-E-011	Glove box small cover	1
PST300-20-E-012	Toolbox rubber pad	1
PST300-20-E-013	Toolbox cover lock	1



Parts No.	Description	Qty per Vehicel
PST300-20-F-001	Seat	1
PST300-20-F-002	Seat cask	1
PST300-20-F-003	Seat swing arm	1



Parts No.	Description	Qty per Vehicel
PST300-20-G-001	Lower front inner fender	1
PST300-20-G-002	Frame fender	1
PST300-20-G-003	Upper front inner fender	1
PST300-20-G-004	Handle upper cover	1
PST300-20-G-005	Handle lower cover	1
PST300-20-G-006	Left guard	1
PST300-20-G-007	Right guard	1
PST300-20-G-008	Battery inner cover	1
PST300-20-G-009	Battery cover	1



Parts No.	Description	Qty per Vehicel
PST300-20-H-001	Front left guard	1
PST300-20-H-002	Front right guard	1
PST300-20-H-003	Decorative plate middle cover	1
PST300-20-H-004	Front panel connection small part	1





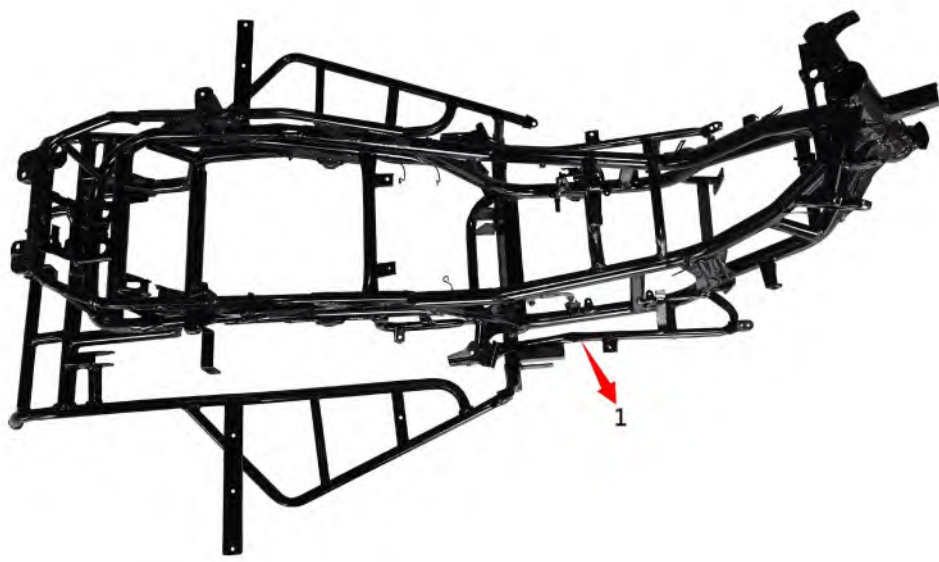
Parts No.	Description	Qty per Vehicle
PST300-20-I-001	Left panel	1
PST300-20-I-002	Right panel	1
PST300-20-I-003	Speedometer cover decoration	1
PST300-20-I-004	Handle upper cover decoration	1
PST300-20-I-005	Rear shelf	1



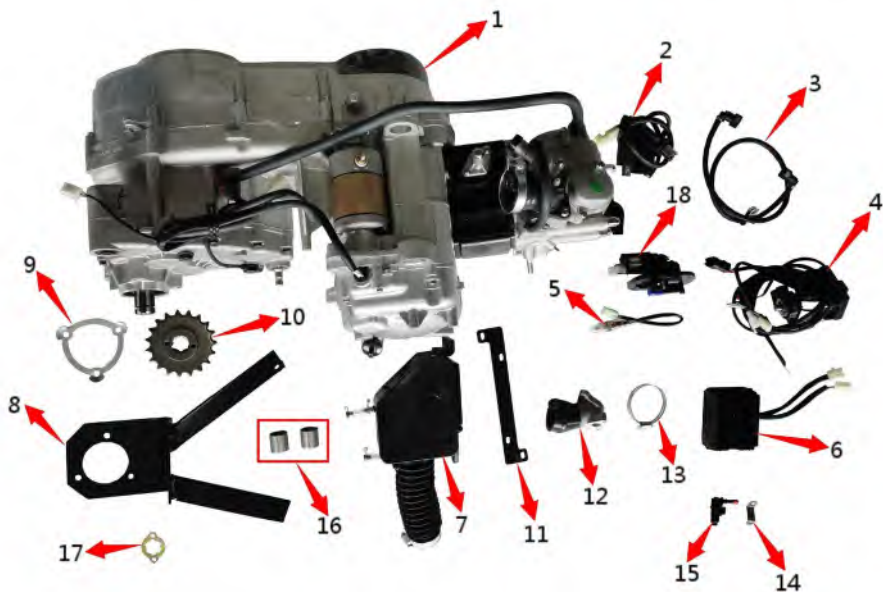
Parts No.	Description	Qty per Vehicle
PST300-20-J-001	Left foot pedal side	1
PST300-20-J-002	Right foot pedal side	1
PST300-20-J-003	Toolbox left decoration	1
PST300-20-J-004	Toolbox right decoration	1



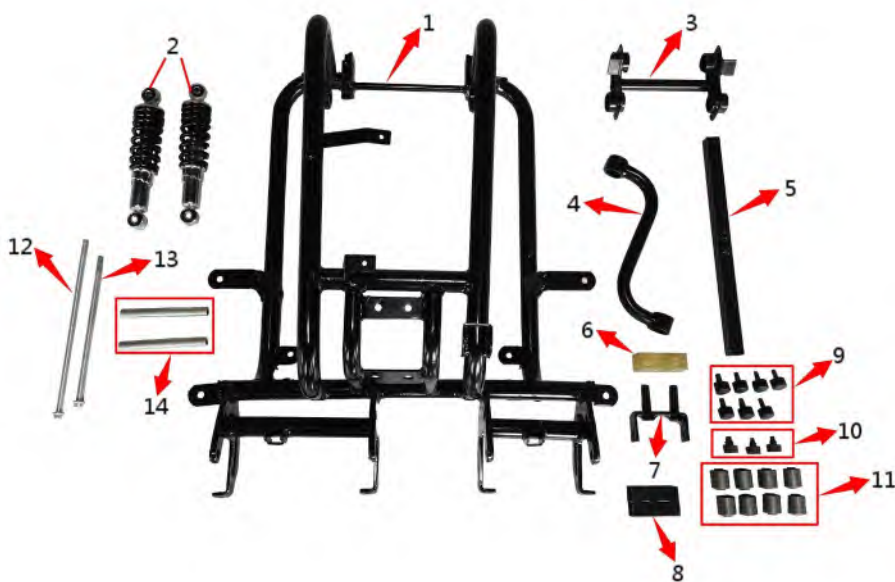
Parts No.	Description	Qty per Vehicle
PST300-20-K-001	Left foot pedal decoration	1
PST300-20-K-002	Right foot pedal decoration	1
PST300-20-K-003	Rear fender cover	1



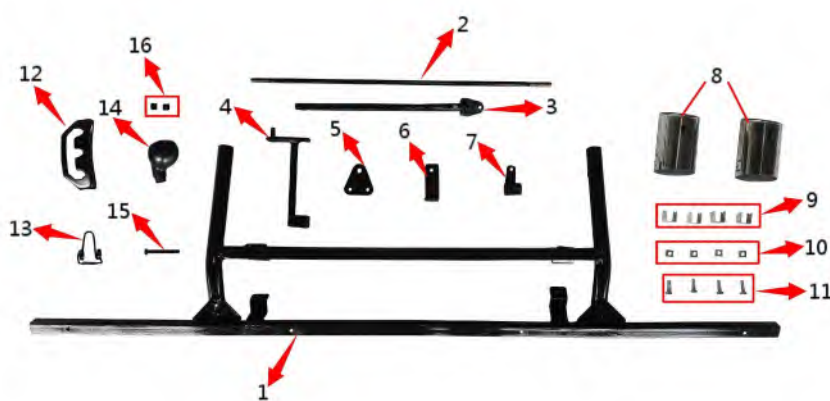
Parts No.	Description	Qty per Vehicle
PST300-20-L-001	Frame	1



Parts No.	Description	Qty per Vehicle
PST300-20-M-001	Engine	1
PST300-20-M-002	Ignition coil	1
PST300-20-M-003	Oil pipe	1
PST300-20-M-004	ECU	1
PST300-20-M-005	Sensor	1
PST300-20-M-006	Regulator	1
PST300-20-M-007	Air filter	1
PST300-20-M-008	Engine connecting plate	1
PST300-20-M-009	Connecting plate lock plate	1
PST300-20-M-010	Sprocket	1
PST300-20-M-011	Air filter bracket	1
PST300-20-M-012	Intake pipe	1
PST300-20-M-013	Air filter clip	1
PST300-20-M-014	Injector pressure plate	1
PST300-20-M-015	Injector	1
PST300-20-M-016	Bushing	2
PST300-20-M-017	Sprocket lock plate	1
PST300-20-M-018	Oil pump	1



Parts No.	Description	Qty per Vehicle
PST300-20-N-001	Swing arm	1
PST300-20-N-002	Rear shock	2
PST300-20-N-003	Swing arm cradle	1
PST300-20-N-004	Shockprof	1
PST300-20-N-005	Engine buffer strut	1
PST300-20-N-006	Cushion leather	1
PST300-20-N-007	Engine buffer cradle	1
PST300-20-N-008	Engine buffer bracket	1
PST300-20-N-009	Cradle cushion leather	7
PST300-20-N-010	Cradle cushion leather	3
PST300-20-N-011	30*35*10 bushing	8
PST300-20-N-012	Engine axle	1
PST300-20-N-013	Rear swing arm axle	1
PST300-20-N-014	Supporting tube	2



Parts No.	Description	Qty per Vehicle
PST300-20-O-001	Rear fender bracket	1
PST300-20-O-002	Gear lever	1

PST300-20-O-003	Gear handle	1
PST300-20-O-004	Gear spline	1
PST300-20-O-005	Gear connecting plate	1
PST300-20-O-006	Gear corner bracket	1
PST300-20-O-007	Gear lever mounting sleeve	1
PST300-20-O-008	Muffler decoration bobbin	2
PST300-20-O-009	Muffler decoration bobbin attachment 1	4
PST300-20-O-010	Muffler decoration bobbin attachment 2	4
PST300-20-O-011	Muffler decoration bobbin attachment 3	4
PST300-20-O-012	Gear fixed plate	1
PST300-20-O-013	Gear torsional spring	1
PST300-20-O-014	The top of gear	1
PST300-20-O-015	Gear bolt	1
PST300-20-O-016	Gear bushing	2



Parts No.	Description	Qty per Vehicle
PST300-20-P-001	Panel	1
PST300-20-P-002	Windshield	1
PST300-20-P-003	Battery box	1
PST300-20-P-004	Windshield rubber parts	2
PST300-20-P-005	Panel parts	2
PST300-20-P-006	Windshield bolt	4



Parts No.	Description	Qty per Vehicle
PST300-20-Q-001	Trunk	1
PST300-20-Q-002	Decorative panel on the trunk	1
PST300-20-Q-003	Trunk bottom plate cover	1
PST300-20-Q-004	Trunk bottom plate	1
PST300-20-Q-005	Trunk bracket	1

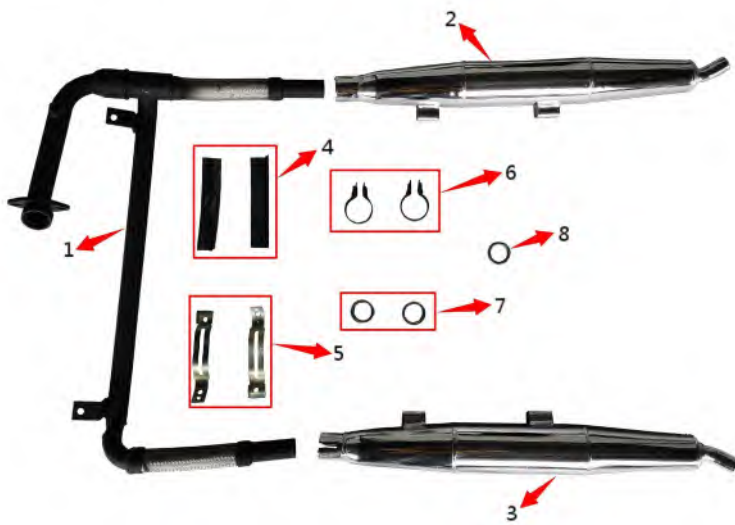


Parts No.	Description	Qty per Vehicle
PST300-20-R-001	Fuel tank	1
PST300-20-R-002	Horn bracket	1
PST300-20-R-003	Fuel level sensors	1
PST300-20-R-004	Cushion lever	1
PST300-20-R-005	Fuel tank cap rubber ring	1
PST300-20-R-006	Fuel tank cap bracket	1
PST300-20-R-007	Seat lock	2
PST300-20-R-008	Seat bracket holder	1
PST300-20-R-009	Fuel tank cap	1

PST300-20-R-010	Fuel tank bracket 1	1
PST300-20-R-011	Fuel tank bracket 2	1
PST300-20-R-012	Fuel level sensors rubber ring pressure plate	1
PST300-20-R-013	one-way valve	1
PST300-20-R-014	Fuel level sensors rubber ring	1
PST300-20-R-015	Fuel tank bracket 3	1



Parts No.	Description	Qty per Vehicel
PST300-20-S-001	Handlebar	1
PST300-20-S-002	Review mirror, L	1
PST300-20-S-003	Review mirror, R	1
PST300-20-S-004	Rear brake	1
PST300-20-S-005	Throttle Cable	1
PST300-20-S-006	Left control panel	1
PST300-20-S-007	Right control panel	1
PST300-20-S-008	Left hand grip	1
PST300-20-S-009	Throttle grip	1
PST300-20-S-010	Balance block	2
PST300-20-S-011	Self lock screw	1
PST300-20-S-012	Waist bushing	1
PST300-20-S-013	10*50 bolt	1



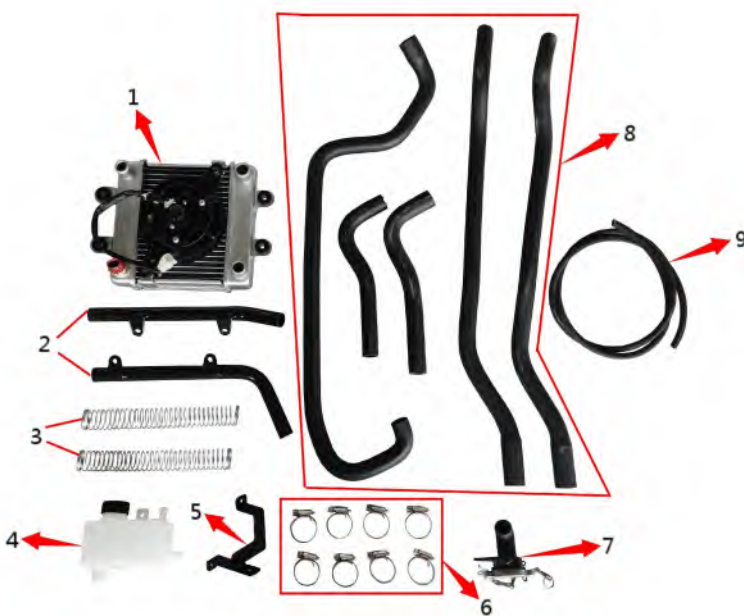
Parts No.	Description	Qty per Vehicel
PST300-20-T-001	Exhaust	1
PST300-20-T-002	Muffler 1	1
PST300-20-T-003	Muffler 2	1
PST300-20-T-004	Muffler installation skin	2
PST300-20-T-005	Muffler mounting bracket	2
PST300-20-T-006	Muffler clip	2
PST300-20-T-007	Muffler asbestos mat	2
PST300-20-T-008	Muffler washer	1



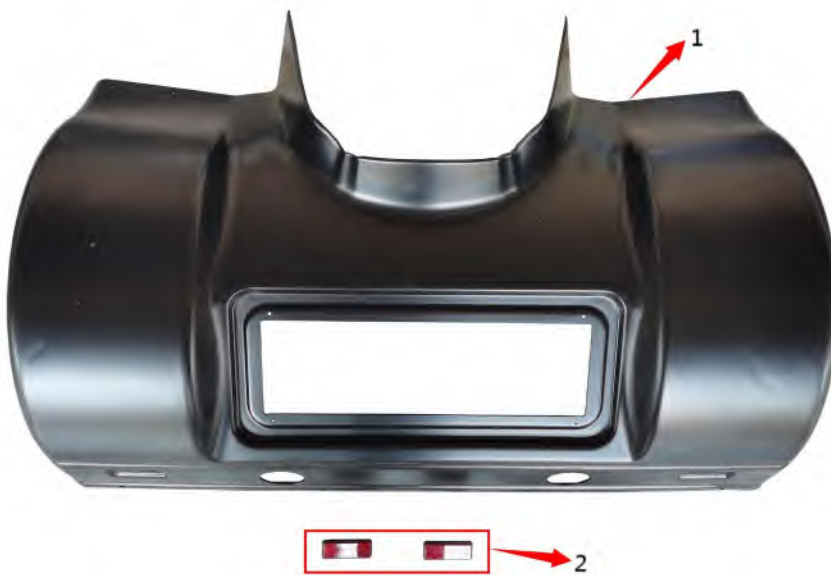
Parts No.	Description	Qty per Vehicel
PST300-20-U-001	Front tire	1
PST300-20-U-002	Front rim	1
PST300-20-U-003	Front disc plate	1
PST300-20-U-004	Sensor	1
PST300-20-U-005	Tubeless valve	1
PST300-20-U-006	Disc plate bolt	5



Parts No.	Description	Qty per Vehicel
PST300-20-V-001	Rear tire	2
PST300-20-V-002	Rear rim	2
PST300-20-V-003	Differtinal	1
PST300-20-V-004	Chain	1
PST300-20-V-005	Chain adjuster	4
PST300-20-V-006	Differtinal nut 1	4
PST300-20-V-007	Differtinal nut 2	4
PST300-20-V-008	Differtinal nut 3	4
PST300-20-V-009	Tire nut	8
PST300-20-V-010	Hub	



Parts No.	Description	Qty per Vehicel
PST300-20-W-001	Water tank fan assy	1
PST300-20-W-002	Cooling iron pipe	2
PST300-20-W-003	Protective tube spring	2
PST300-20-W-004	Water jug with cover	1
PST300-20-W-005	Water jug bracket	1
PST300-20-W-006	Cooling water pipe clip	8
PST300-20-W-007	Water intake	1
PST300-20-W-008	Cooling water pipe	5
PST300-20-W-009	High temperature pipe	1



Parts No.	Description	Qty per Vehicel
PST300-20-X-001	Rear fender	1
PST300-20-X-002	Rear reflector	2