

Parts No.	Description	Qty per Vehicel
-----------	-------------	-----------------



Parts No.	Description	Qty per Vehicel
PST50-2-A-001	Front tire	1
PST50-2-A-002	Front rim	1
PST50-2-A-003	Steering stem	1
PST50-2-A-004	Front disc brake	1
PST50-2-A-005	Front Shock LH, RH	2
PST50-2-A-006	Front brake disc	1
PST50-2-A-007	Speed sensor	1
PST50-2-A-008	Steel bowl	8
PST50-2-A-009	Front disc brake clip	1
PST50-2-A-010	Tubeless Valve	2
PST50-2-A-011	Front axle	1
PST50-2-A-012	Front wheel bushing	1
PST50-2-A-013	Self lock screw	1



Parts No.	Description	Qty per Vehicel
PST50-2-B-001	Left panel	1
PST50-2-B-002	Right panel	1
PST50-2-B-003	Tail box guard	1
PST50-2-B-004	Fuel tank pallet	1
PST50-2-B-005	Rear fender	1
PST50-2-B-006	License plate light	1
PST50-2-B-007	Tail lamp wire	1
PST50-2-B-008	Tail lamp	1
PST50-2-B-009	Rear mud plate bracket fixing plate	1
PST50-2-B-010	Rear left turning light	1
PST50-2-B-011	Rear right turning light	1
PST50-2-B-012	Rear reflector plate	1
PST50-2-B-013	Rear bracket of rear fender	1
PST50-2-B-014	Rear edge reflector plate	2



Parts No.	Description	Qty per Vehicel
PST50-2-C-001	Front left guard	1
PST50-2-C-002	Front right guard	1
PST50-2-C-003	Front wheel fender	1



Parts No.	Description	Qty per Vehicel
PST50-2-D-001	Front inner mud guard	1
PST50-2-D-002	Luggage front cover	1
PST50-2-D-003	Frame bottom plate	1



Parts No.	Description	Qty per Vehicel
PST50-2-E-001	Tool box	1
PST50-2-E-002	Foot pedal	1
PST50-2-E-003	Tool box cover	1
PST50-2-E-004	Luggage cover	1
PST50-2-E-005	Rear footpeg	2
PST50-2-E-006	Cover, Chassis No.	1
PST50-2-E-007	Hook up	1

PST50-2-E-008	Drinking glass	1
PST50-2-E-009	Bolt hole rubber plug	4



Parts No.	Description	Qty per Vehicle
PST50-2-F-001	Luggage	1
PST50-2-F-002	Seat	1
PST50-2-F-003	Fuel tank	1
PST50-2-F-004	Main wire	1
PST50-2-F-005	Battery	1
PST50-2-F-006	Fuel level sensors	1
PST50-2-F-007	Tunsignal relay assy	1
PST50-2-F-008	Horn	1
PST50-2-F-009	Regulator	1
PST50-2-F-010	CDI	1
PST50-2-F-011	Starter relay	1
PST50-2-F-012	Ignition coil	1
PST50-2-F-013	Fuel tank switch	1
PST50-2-F-014	Fuel tank cover	1
PST50-2-F-015	Oil seal of Fuel level sensors	1
PST50-2-F-016	Fixed ring of Fuel level sensors	1



Parts No.	Description	Qty per Vehicle
PST50-2-G-001	Rear mirror LH	1
PST50-2-G-002	Rear mirror RH	1
PST50-2-G-003	Speedometer	1
PST50-2-G-004	Handlebar	1
PST50-2-G-005	Speedometer bracket	1
PST50-2-G-006	Left hand grip	1
PST50-2-G-007	Throttle grip	1
PST50-2-G-008	Left switch	1
PST50-2-G-009	Right switch	1
PST50-2-G-010	Key set	1

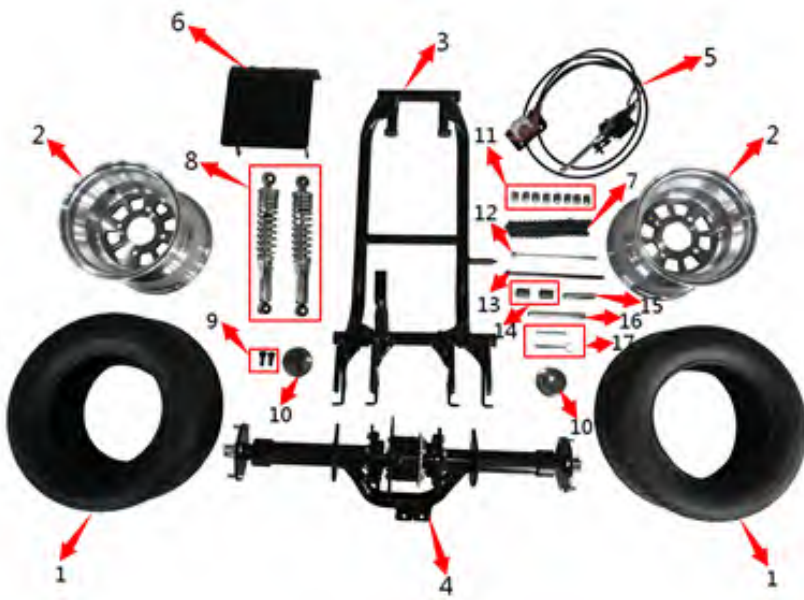
PST50-2-G-011	Handlebar small cover	1
PST50-2-G-012	Handlebar button	1
PST50-2-G-013	Seat cushion pull	1
PST50-2-G-014	Throttle cable	1
PST50-2-G-015	Panel bracket	1
PST50-2-G-016	Fuel tank pallet	1
PST50-2-G-017	Handlebar small cover connector	1



Parts No.	Description	Qty per Vehicle
PST50-2-H-001	Engine	1
PST50-2-H-002	Connecting plate	1
PST50-2-H-003	Air filter	1
PST50-2-H-004	Carb	1
PST50-2-H-005	Muffler	1
PST50-2-H-006	Front sprocket	1
PST50-2-H-007	Sprocket holder	1
PST50-2-H-008	Connecting plate bushing	1
PST50-2-H-009	Air filter bracket long	1
PST50-2-H-010	Air filter bracket short	1
PST50-2-H-011	Muffler washer	1



Parts No.	Description	Qty per Vehicle
PST50-2-I-001	Front wall	1
PST50-2-I-002	Front panel	1
PST50-2-I-003	Front headlight	1
PST50-2-I-004	Headlight wire	1
PST50-2-I-005	Front turning light L, R	2
PST50-2-I-006	Tool box front cover	1
PST50-2-I-007	Front turning light wire	2
PST50-2-I-008	Panel decoration	1
PST50-2-I-009	Clip	2



Parts No.	Description	Qty per Vehicel
PST50-2-J-001	Rear tire	2
PST50-2-J-002	Rear rim	2
PST50-2-J-003	Swing arm	1
PST50-2-J-004	Differential	1
PST50-2-J-005	Rear brake	1
PST50-2-J-006	Chain cover	1
PST50-2-J-007	Chain	1
PST50-2-J-008	Rear shock	2
PST50-2-J-009	Tubeless Valve	2
PST50-2-J-010	Chrome decorative cover	2
PST50-2-J-011	Nut	8
PST50-2-J-012	Engine axle	1
PST50-2-J-013	Swing arm axle	1
PST50-2-J-014	Swing arm buffer bushing	2
PST50-2-J-015	Engine supporting tube	1
PST50-2-J-016	Swing arm supporting tube	1
PST50-2-J-017	Chain adjuster	2



Parts No.	Description	Qty per Vehicel
PST50-2-K-001	Tail box	1
PST50-2-K-002	Rear armrest	2
PST50-2-K-003	Tail box bracket	1
PST50-2-K-004	Tail box bottom plate	1
PST50-2-K-005	Tail box cushion	1



1

Parts No.	Description	Qty per Vehicle
PST50-2-M-001	Frame	1



Parts No.	Description	Qty per Vehicle
PST50-2-N-001	Rear wheel fender	2
PST50-2-N-002	Rear wheel fender bracket	2
PST50-2-N-003	Rear wheel fender bracket upper	2