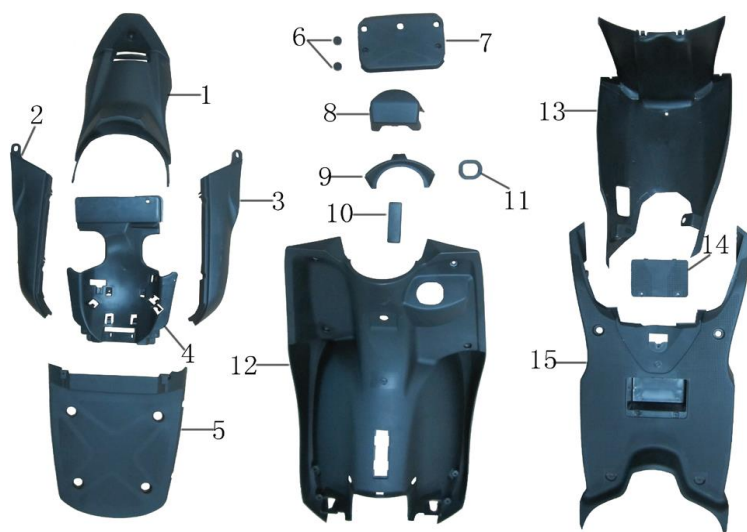
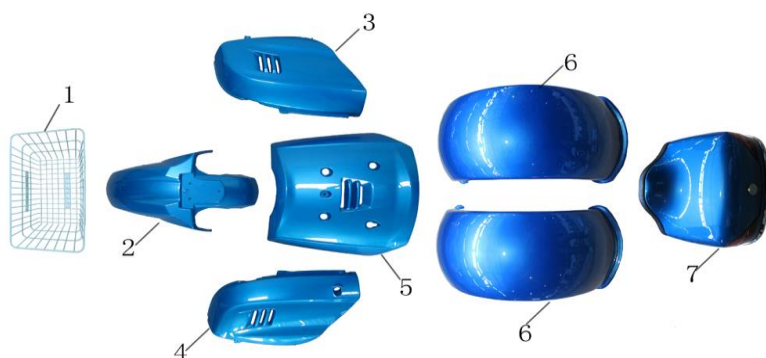


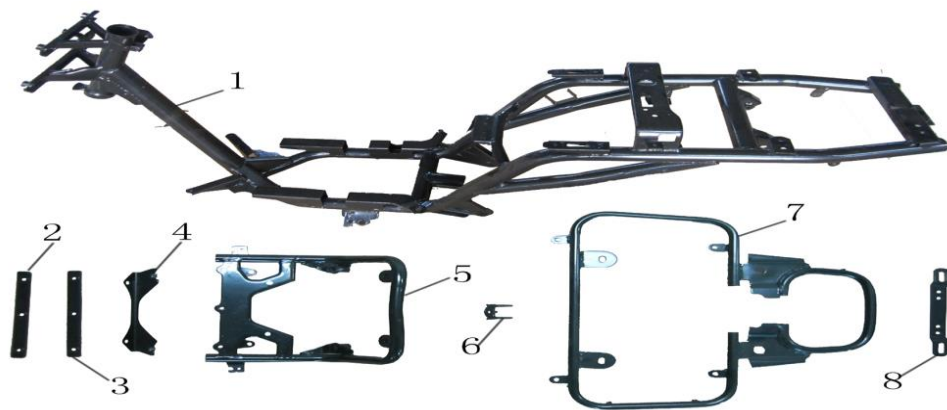
NO.	ICEBEAR PARTS NO.	Chinese name	Description	QTY
-----	-------------------	--------------	-------------	-----



1	PST50-9-A-001	座桶前围	seat front cover	1
2	PST50-9-A-002	后支架左下部	rear bracket LH	1
3	PST50-9-A-003	后支架右下部	rear bracket RH	1
4	PST50-9-A-004	后尾灯固定板	tail lamp holder	1
5	PST50-9-A-005	后支架上部	rear bracket upper	1
6	PST50-9-A-006	大灯支架堵头	headlamp bracket	1
7	PST50-9-A-007	大灯上罩	headlamp cover upper	1
8	PST50-9-A-008	方向把罩	handle cover	1
9	PST50-9-A-009	工具箱小件	tool box accessories	1
10	PST50-9-A-010	车架号码盖	VIN cover	1
11	PST50-9-A-011	电门锁装饰框	key frame	1
12	PST50-9-A-012	工具箱	tool box	1
13	PST50-9-A-013	车架挡泥板	mud guard	1
14	PST50-9-A-014	电瓶盒盖	battery cover	1
15	PST50-9-A-015	脚踏板	foot rest	1



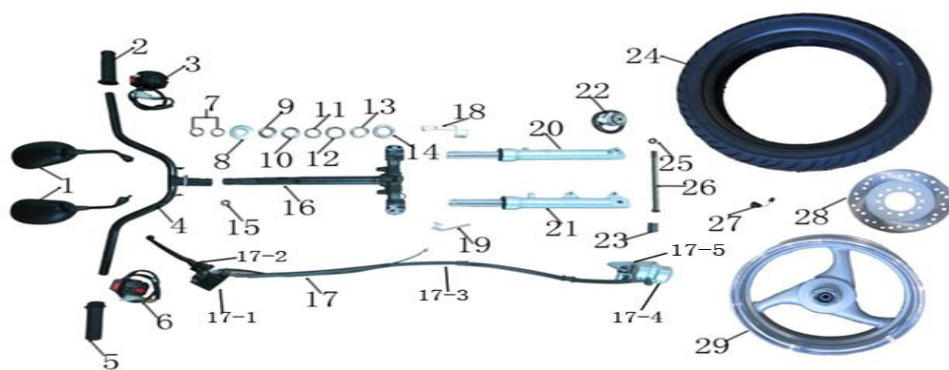
1	PST50-9-B-001	车篮	basket	1
2	PST50-9-B-002	前轮挡泥板	front fender	1
3	PST50-9-B-003	右装饰板	panel RH	1
4	PST50-9-B-004	左装饰板	panel LH	1
5	PST50-9-B-005	前面板	front panel	1
6	PST50-9-B-006	后轮挡泥板	rear fender	1
7	PST50-9-B-007	后尾箱	rear box	1



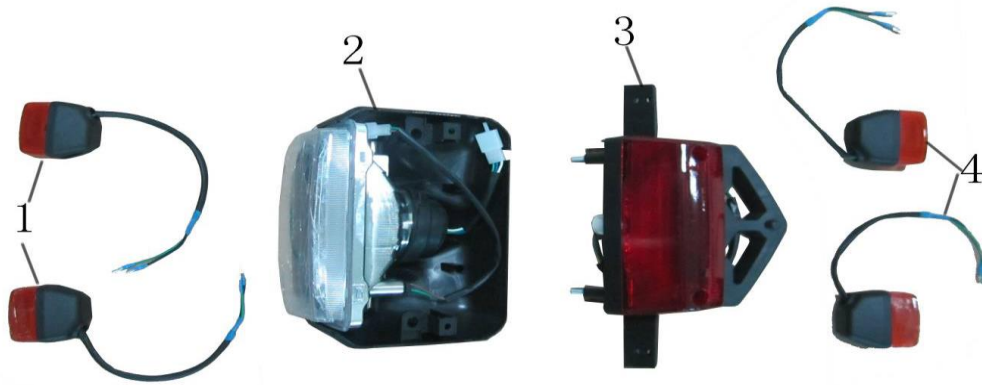
1	PST50-9-C-001	车架	frame	1
2	PST50-9-C-002	车篮下压板	basket plate lower	1
3	PST50-9-C-003	车篮上压板	basket plate upper	1
4	PST50-9-C-004	上安装支架	holder bracket	1
5	PST50-9-C-005	大灯支架	head light holder	1
6	PST50-9-C-006	头盔挂钩	helmet hook	1
7	PST50-9-C-007	后货架	rear carrier	1
8	PST50-9-C-008	后牌照支架	rear number plate	1



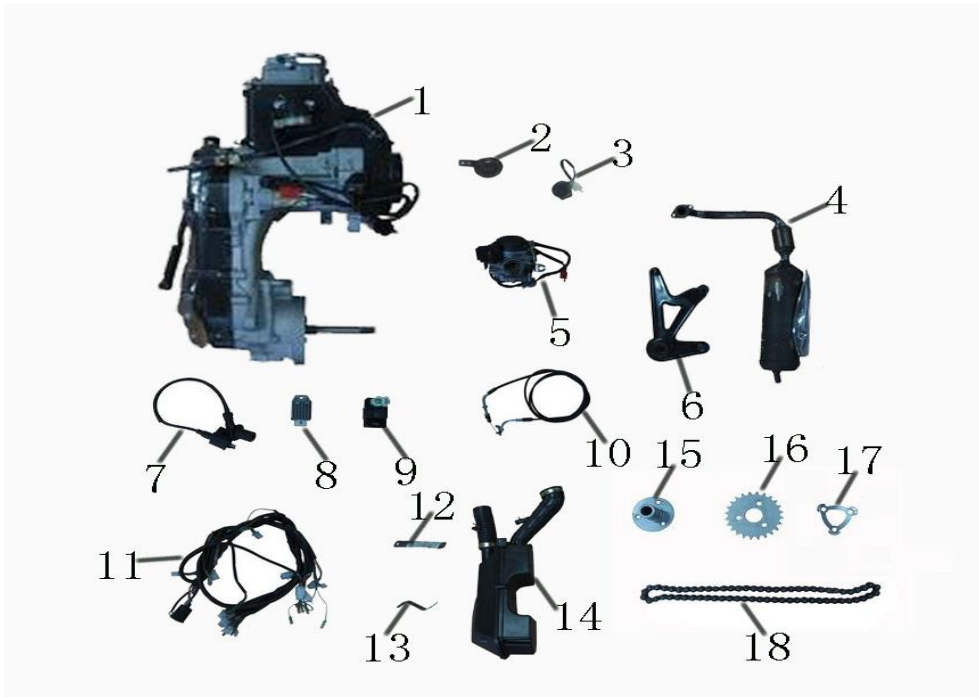
1	PST50-9-D-001	油箱	fuel tank	1
2	PST50-9-D-002	溢油胶垫	washer	1
3	PST50-9-D-003	坐垫	seat	1
4	PST50-9-D-004	油箱盖	cap	1
5	PST50-9-D-005	油量传感器	fuel sensor	1
6	PST50-9-D-006	油箱压板	tank plate	1
7	PST50-9-D-007	坐垫锁1	seat lock 1	1
8	PST50-9-D-008	坐垫锁2	seat lock 2	1
9	PST50-9-D-009	密封橡胶圈	seal rubber	1
10	PST50-9-D-010	电门锁	electric lock	1
11	PST50-9-D-011	负压开关	fuel key	1
12	PST50-9-D-012	汽油过滤器	fuel filter	1



1	PST50-9-E-001	后视镜	rear mirror	1
2	PST50-9-E-002	左把手套	LH grip	1
3	PST50-9-E-003	左开关	LH switch	1
4	PST50-9-E-004	方向把手	handle bar	1
5	PST50-9-E-005	油门把手套	RH grip	1
6	PST50-9-E-006	右开关	RH switch	1
7	PST50-9-E-007	锁紧螺母	screw	1
8	PST50-9-E-008	防尘盖	dust	1
9	PST50-9-E-009	上部圈	upper ring	1
10	PST50-9-E-010	下部圈	lower ring	1
11	PST50-9-E-011	上钢珠	upper bearing	1
12	PST50-9-E-012	下钢珠	lower bearing	1
13	PST50-9-E-013	上钢碗	upper bowl	1
14	PST50-9-E-014	下钢碗	lower bowl	1
15	PST50-9-E-015	转向限位套	steering limit	1
16	PST50-9-E-016	下联板	steering stem	1
17	PST50-9-E-017	前碟刹（整套碟刹）	front disc brake	1
18	PST50-9-E-023	计数器线夹	clip	1
19	PST50-9-E-024	碟刹油管限卡	brake hose clip	1
20	PST50-9-E-025	左前减	front shock LH	1
21	PST50-9-E-026	右前减	front shock RH	1
22	PST50-9-E-027	计数器	speedo gear box	1
23	PST50-9-E-028	前轮衬套	front washer	1
24	PST50-9-E-029	前轮胎	front tire	1
25	PST50-9-E-030	自锁螺母	self lock screw	1
26	PST50-9-E-031	前轮轴	front axle	1
27	PST50-9-E-032	气门嘴	valve	1
28	PST50-9-E-033	前制动盘	front brake disc	1
29	PST50-9-E-034	前轮毂	front wheel	1

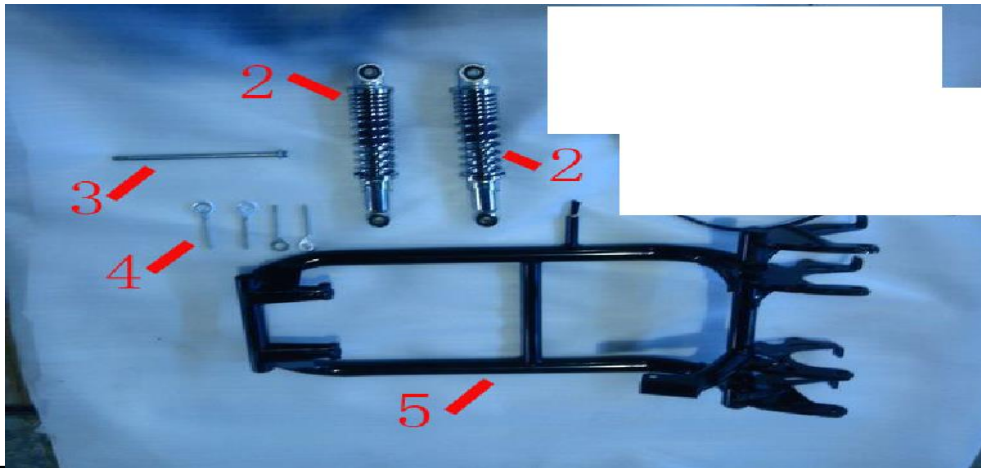


1	PST50-9-F-001	前转向灯	front winker	2
2	PST50-9-F-002	前大灯	head light	1
3	PST50-9-F-003	后尾灯	tail light	1
4	PST50-9-F-004	后转向灯	rear winker	2

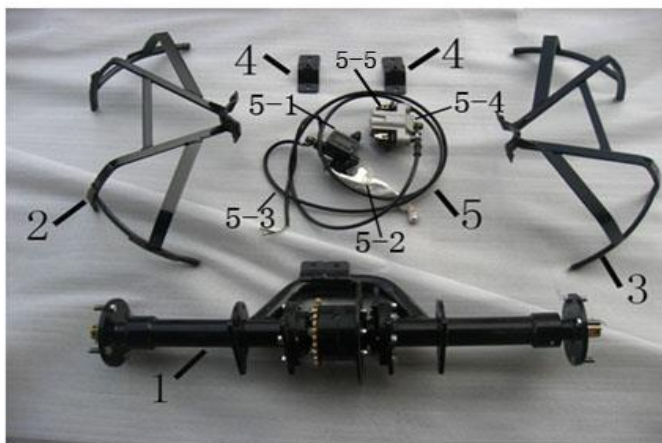


1	PST50-9-G-001	发动机	engine	1
2	PST50-9-G-002	喇叭	horn	1
3	PST50-9-G-003	闪光器	flasher	1
4	PST50-9-G-004	消音器	muffler	1
5	PST50-9-G-005	化油器	carburetor	1
6	PST50-9-G-006	动力连接板	engine connect board	1
7	PST50-9-G-007	高压包	ignition coil	1
8	PST50-9-G-008	稳压器	regulator	1
9	PST50-9-G-009	点火器	ignition	1
10	PST50-9-G-010	油门线	throttle cable	1

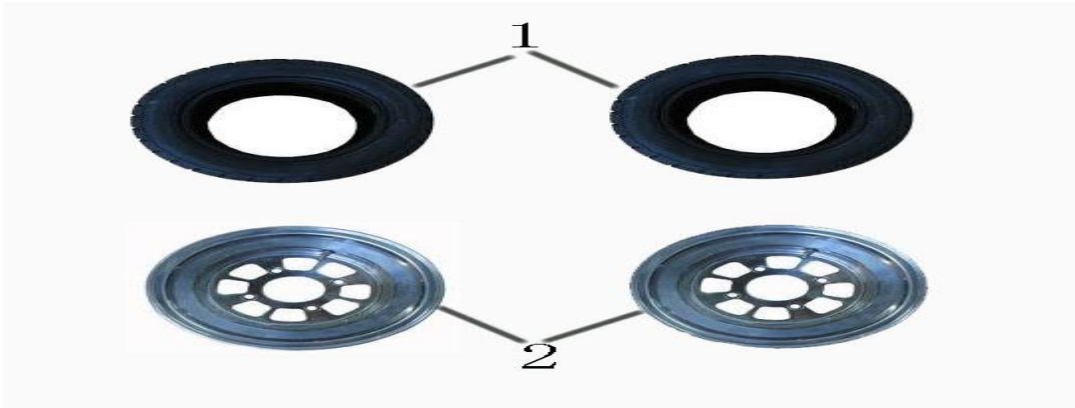
11	PST50-9-G-011	电缆	Wire harness	1
12	PST50-9-G-012	空滤支架1	air filter holder 1	1
13	PST50-9-G-013	空滤支架2	air filter holder 2	1
14	PST50-9-G-014	空滤器	air filter	1
15	PST50-9-G-015	链轮座	sprocket holder	1
16	PST50-9-G-016	链轮	sprocket	1
17	PST50-9-G-017	链轮锁片	sprocket locker	1
18	PST50-9-G-018	链条	chain	1



2	PST50-9-H-001	后减震	rear shock	1
3	PST50-9-H-002	后平叉轴	rear swingarm axle	1
4	PST50-9-H-003	调链器	chain adjuster	1
5	PST50-9-H-004	后平叉	rear swingarm	1



1	PST50-9-I-001	差速器	DIFFERENTIAL	1
2	PST50-9-I-002	左后挡泥板支架	FENDER BRACKET,LEFT,REAR	1
3	PST50-9-I-003	右后挡泥板支架	FENDER BRACKET,RIGHT,REAR	1
4	PST50-9-I-004	压块	LOCK BLOCK	1
5	PST50-9-I-005	后碟刹总成（整套碟刹）	REAR DISC BRAKE ASSY	1
6	PST50-9-I-011	挂钩板	PLATE	1



1	PST50-9-J-001	后轮胎	rear tire	1
2	PST50-9-J-002	后轮毂	rear wheel	1



1	PST50-9-K-001	蓄电池	battery	1
2	PST50-9-K-002	电解液	electrolyte	1
3	PST50-9-K-003	安装附件	parts for installation	1